

Specifications

Model name	SQ47	SQ57
Effective length	90 to 6,240mm	70 to 6,270mm
Accuracy	±(1.5+1.5L/1000)μm	
Resolution	Selectable from 0.005/0.01/0.05/0.1/0.5/1μm	
Maximum response speed	200m/min	
Vibration resistance	250m/s <sup>2</sup>	
Impact resistance	980m/s <sup>2</sup>	
Protective design grade	IP67	
Consumption current	1.35W typ (FANUC/Mitsubishi Electric/Yaskawa Electric) 2.1W typ (SIEMENS)	
Power supply voltage	DC5V (FANUC/Mitsubishi Electric/Yaskawa Electric) DC24V (SIEMENS)	
Operating temperature	0 to 50°C	
Output signal	Compatible with each serial interface	
Option	Connection cable CH23 Series (FANUC/Mitsubishi Electric/Yaskawa Electric) CH22 Series (SIEMENS)	

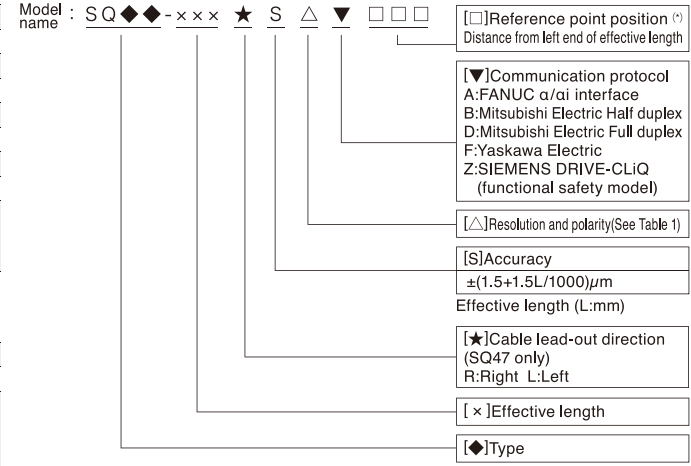


Table1  
<FANUC/Mitsubishi Electric>  
(Mitsubishi Electric: Polarity + only)

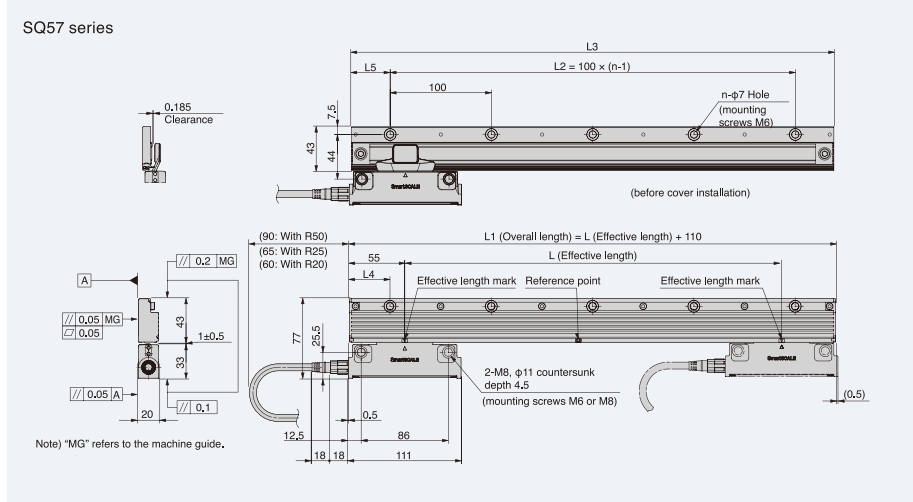
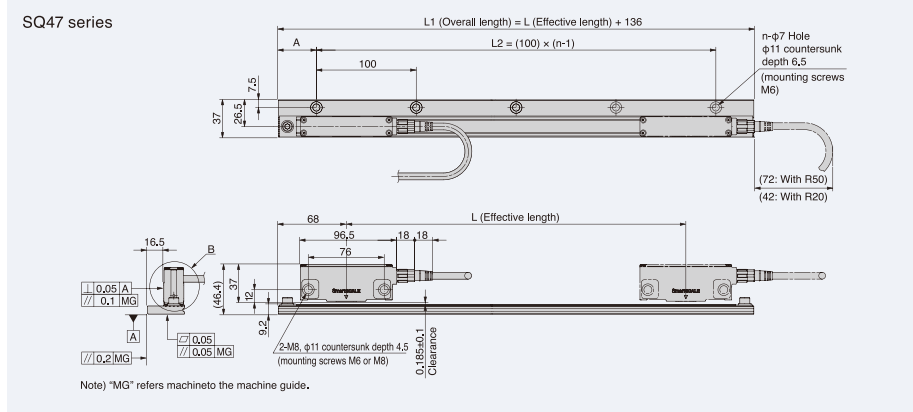
Model name	Polarity	Resolution	Model name	Polarity	Resolution
S		0.005μm	T		0.005μm
A		0.01μm	F		0.01μm
B	+	0.05μm	G	-	0.05μm
C		0.1μm	H		0.1μm
D		0.5μm	J		0.5μm
E		1μm	K		1μm

<Yaskawa Electric/SIEMENS>

Model name	Polarity	Resolution
S		0.005μm
A	+	0.01μm

(\*) Mitsubishi Electric: fix (center of effective length)  
SIEMENS: fix

Dimensions



Please contact us for more details.

Lineup



# Magnescale

SPEED X PRECISION

# SmartSCALE

Absolute type

Stronger resistance to harsh environments

△ To use this product safely, please read the instruction manual carefully and thoroughly prior to usage. •Magnescale reserves the right to change products and specifications without prior notice.

Magnescale Co., Ltd.

International Sales Department	3-1-4 Edagawa, Koto-ku, Tokyo 135-0051, Japan	TEL.+81(0)3-6632-7924	FAX.+81(0)3-6632-7928
Magnescale Americas Inc.	1 Technology Drive, Suite F217, Irvine, CA 92618, USA	TEL.+1(949)727-4017	FAX.+1(949)727-4047
Magnescale Europe GmbH	Antoniusstrasse 14, 73249 Wernau, Germany	TEL.+49(0)7153-934-291	FAX.+49(0)7153-934-299
Service & Parts	45 Suzukawa, Isehara-shi, Kanagawa 259-1146, Japan	TEL.+81(0)463-92-2132	FAX.+81(0)463-92-3090

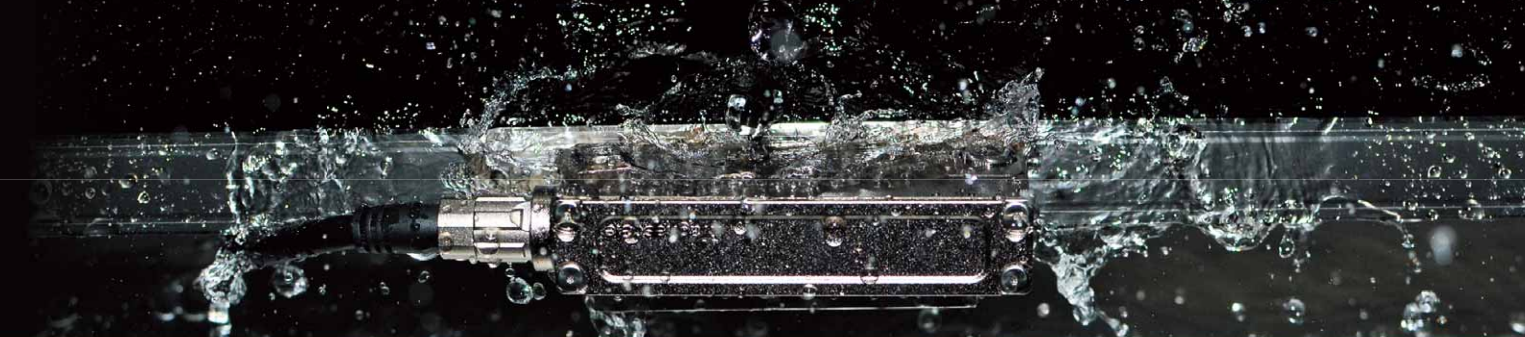
http://www.magnescale.com

MAGNESCALE and SmartSCALE is a trademark or registered trademark of Magnescale Co., Ltd., Japan  
The contents of this literature are as of July 2019  
SmartABS-EA01C  
C.1907.CB.500

Magnescale Co., Ltd.

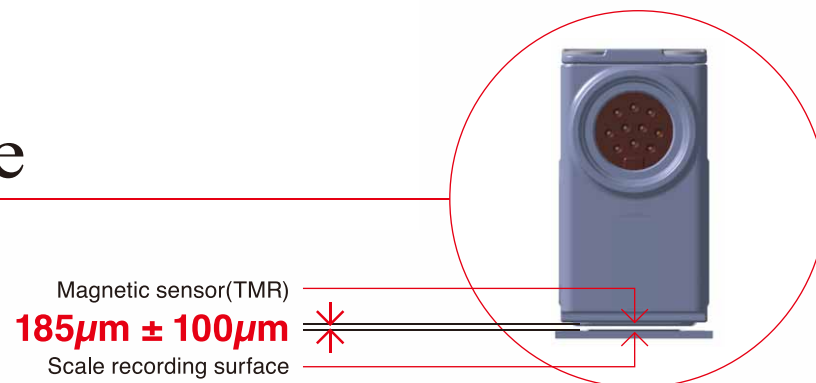
# Stronger resistance to harsh environments

Air purging not necessary



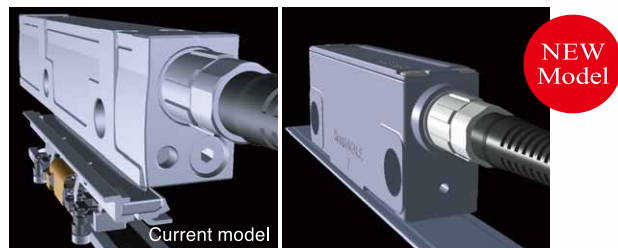
## Wide gap and clearance tolerance

Gap between scale and head : 2 times greater than current model.  
Clearance tolerance between scale and head : 5 times greater than current model.



## Separate type simple architecture

Space saving design by bearingless and miniaturization enables encoders to install near works and multiple encoders in one axis.

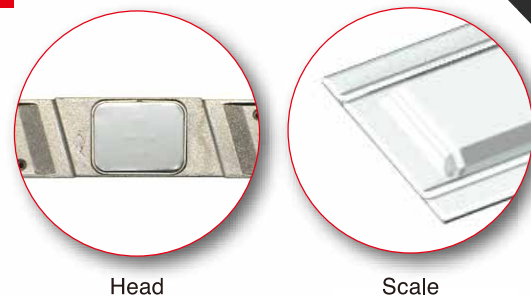


## 5nm high-resolution

Achieves best in class 5nm resolution by utilizing the latest interpolation technology with a newly developed algorithm.

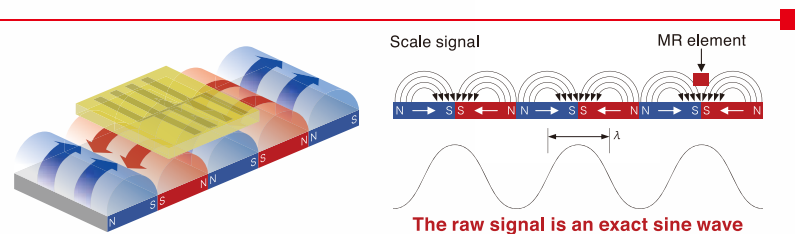
## Sealed structure with IP67 grade

The magnetic encoder and detection device are fully protected by a 50µm thin metal cover.  
High resistance to coolant/water splashing and to sludge/metal chips provides stable operation under harsh environments.



## Principle

**Detection Principle**  
A thin-film MR element with a high-precision, low-distortion pattern arrangement is used as the detecting element. The resistance value of the MR element changes when the magnetic field acting on the element changes due to an alteration in the relative position between the element and the magnetic media. This change in resistance value is read electronically to detect the amount of positional change.

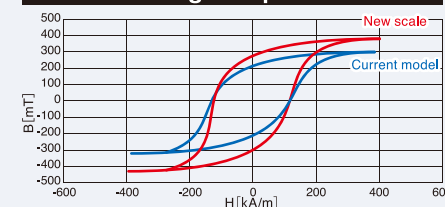


## New technology

### Development of a new magnetic medium

The output detection signal has improved 30% by changing the composition and consistency of the magnetic medium of the scale, and by improving the production method.

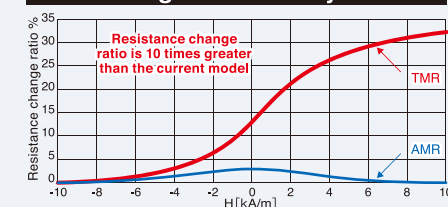
#### High output



### The development of a high sensitivity sensor using a new TMR device

Utilizes a low strain sensor enabling 10 times higher sensitivity compared to the current model by the development of a TMR element based on the Spin-Valve method.

#### Higher sensitivity



### New interpolation calculation method

Achieves 5nm resolution and improves interpolation accuracy by utilizing a new interpolation calculation method.

#### High resolution

