

# LH72

## Initial Setup Manual

LH72



### INITIAL SETUP FLOW



### Table of contents

Contents	Page
Preparations before making the initial settings (checking conditions of use)	2 to 3
How to set up <b>Basic Settings</b> <span style="float: right;">STEP 1~3</span>	4 to 6
How to set up <b>Detailed Settings</b> (continued from Basic Settings) <span style="float: right;">STEP 4~5</span>	7
Factory Default (All Clear)	9
Appendix 1: Front panel, Alarm indication	10
Appendix 2: Adapter connections (scales and gauges)	11 to 12

# Preparations before making the initial setting (1/2)

By confirming the conditions of use in advance, the setting operation can be performed easily.  
Let's start with the basic settings.

## Basic Setting Items

Items	Indication <small>default</small>	Description	Setting
Addition display 		Selection of addition axis, addition conditions, etc.  If you select LATHE (lathe function) in the type selection, this item will appear.	2: No addition, count value of the 2nd axis 3: No addition, count value on the 3rd axis 2 Add 3: Count value of 2nd axis + 3rd axis 2 Add -3: Count value of 2nd axis-3rd axis -2 Add 3: 3rd axis-2nd axis count value -2Add-3: -2nd axis -3rd axis count value
Destination country 		Please select the region to be used. (Displayable units)	Std: General Area US: U.S.A. JPN: Japan
Measuring unit resolution 		Set the resolution output from the measurement unit to be used for each axis. The resolutions that can be selected are length and angle. Expanded selections increase the number of options.	Length: 0.05 to 100µm *See Tables 1, 2 and 3 or Angle: 1 second to 1 degree  *Angular resolution (1sec to 1 degree) when using a rotary scale

Table1: Length scale output resolution

Measuring Unit	Output resolution	connection cable	Adapter *
SR-1711 SR-1711R	0.5µm	HK-**C HK-**CR	SZ05-T01
SR801/ MSS-101 SR801R	0.5µm	HK-1**C HK-2**C	SZ05-T01
SR801/ MSS-101 SR801R	0.5µm	CE07-**C	SZ51-MS01 + SZ70-1
SR10 / SR30 / SR50 SR50-R	0.5µm	HK-4**C HK6-**CR	SZ05-T01
SR118	0.5µm	CE05-**C CH02-**	DZ51 + SZ70-1
SR108 SR107	0.5µm		SZ51-MS01 + SZ70-1
SR128	0.5µm	CH01-**C	SZ70-1
SR128 / SR127	0.5µm	CH01-LW**C	SZ51-MS01 + SZ70-1
SR138R(GB-ER)	0.5µm	CH04-03C	

Table 2: Digiruler output resolution

Measuring Unit	Output resolution	Adapter/ conversion cable	Adapter *
SL110 SL130	10µm	PL20B	SZ70-1
SL110 SL130	10µm	PL20C	
SJ300	1µm	CH33-**CPD/CED	
SJ700	5µm		SZ70-1
SJ700A	5µm		

Table3: Digital gage output resolution

Measuring Unit	Output resolution	Adapter/ conversion cable	Adapter *
DG-B	0.5µm	DZ-51	SZ70-1
DL310B/330B	10µm	DZ-51	SZ70-1
DK series	0.1µm or 0.5µm	CE29-**	

\* For adapter information, refer to Appendix 2 Adapter Connection in this Manual

# Preparations before making the initial setting (2/2)

Check the usage conditions for Detailed Settings.

(Since the setting conditions can be changed later, use the default values to skip items for which the conditions have not been confirmed)

## Detailed Setting Items

Items	Indication <small>default</small>	Description	Setting
Display resolution and polarity 		Sets the resolution to be displayed for each axis. A value lower than the input resolution cannot be set. Selects the value for each axis, including the polarity (+/-). * The initial value is the measurement unit resolution set in the basic settings.	Length: 0.05 to 100μm or Angle: 1 second to 1 degree
Scaling 		Displayed by multiplying the measured value by the magnification	0.1 times to about 10 times
Compensation value 		Setting of linear compensation and segmented error compensation	Err OFF : off Lin Err : linear compensation ±600μm/m *Expanded selections ±1000μm/m SEG Err : segmented error compensation
Flicker control 		Flicker prevention function for the smallest display digit	OFF: Function stop 1: Weak 2: Strong
Sleep 		The display turns off when there is no movement of the length measurement unit or key operation for a certain period of time while the power is on. It will return when the length measurement unit is moved or the Key operation is performed again.	OFF: Do not put to sleep 1: 1 minute later 5: 5 minutes later 10: 10 minutes later 30: 30 minutes later 60: 60 minutes later

# How to set up Basic Settings (1/3)

## Step 1

Configure the basic settings.  
Choose one of the following methods of operation.


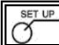
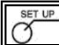
**NOTE:**  
If you change the basic settings,  
Detailed Settings will be reset to the factory defaults.

When the power is turned on for the first time after shipment from the factory

Connect the AC adapter and turn the primary power "on".

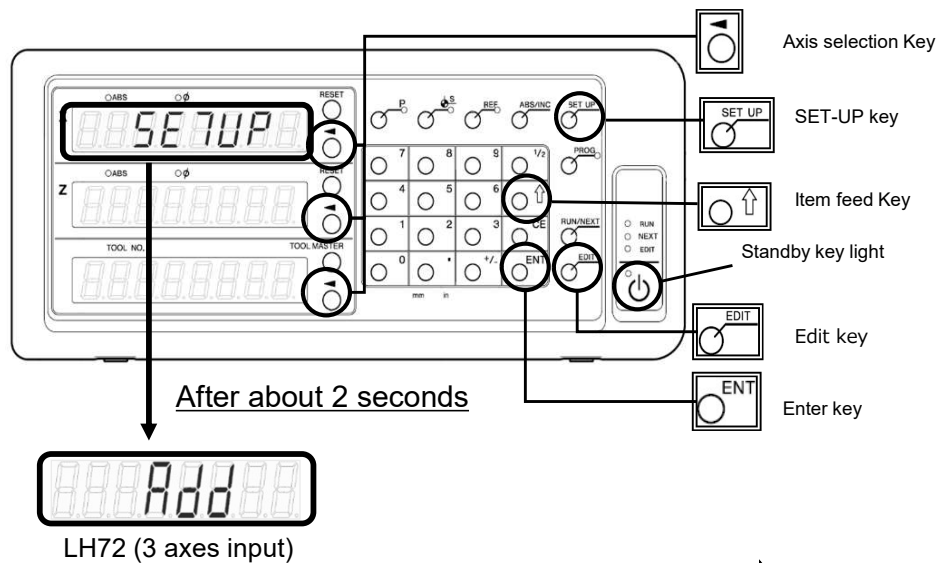
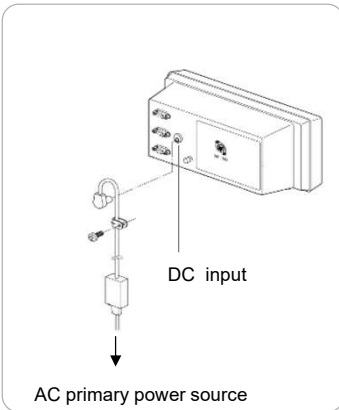
When you want to change the basic settings

AC adapter is energized.


Turn on  key, the LED light changes from "blinking" to "off" and then press  and hold  key for 3 seconds.

The following display appears

Connecting the AC Adapter



Continued on next page

Pressing  key changes the basic setting mode in the order in which it is set.



**ADD(Z-axis addition axis setting):**  
Selection of length measurement unit input for input 2nd axis and input 3rd axis, and setting of addition display (**NOTE**)

**NOTE:** When displaying the Z axis in addition, be sure to connect a scale with high resolution to input 2 of the display unit.

**COUNTRY (destination country):**  
Please select your region

**Signal resolution (Measuring unit resolution):**  
Sets the output resolution of the scale to be connected. Supports the input of length and angle display units.




### COUNTRY (Destination)

Symbol	Destination	Unit
STD 	General area	
US 	U.S.A.	
JPN 	Japan	

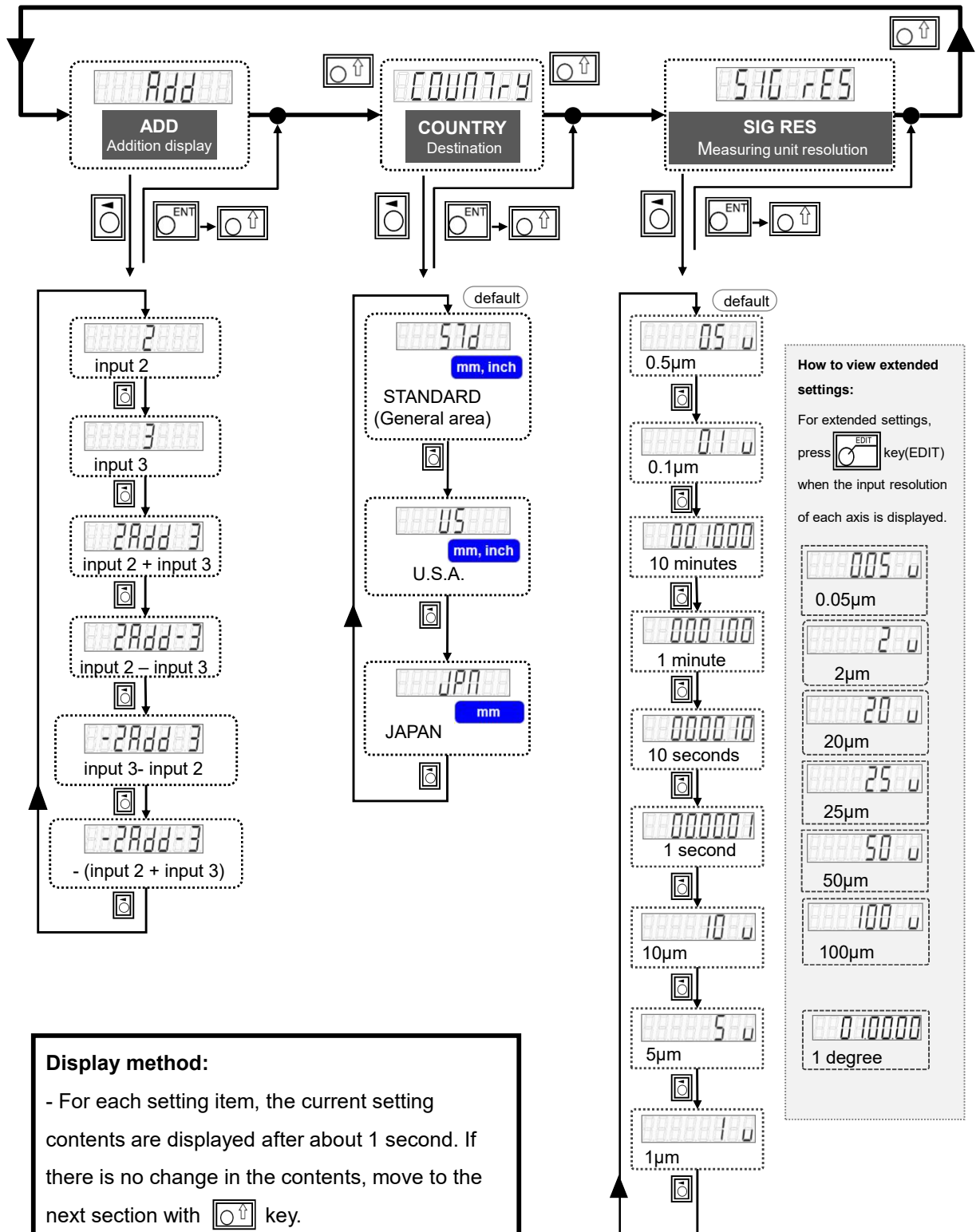
# How to set up Basic Settings (2/3)

## Step 2

Enter the settings confirmed in "Preparations before making initial settings (1/2)". Repeat steps (1), (2), and (3) to make the basic settings.

- (1) Use  key to change the basic setting item.
- (2) The setting selection can be switched with  key on the right side of the counter display.
- (3) To define the new value, press  key.

Basic Settings


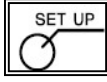







# How to set up Basic Settings (3/3)

## Step 3

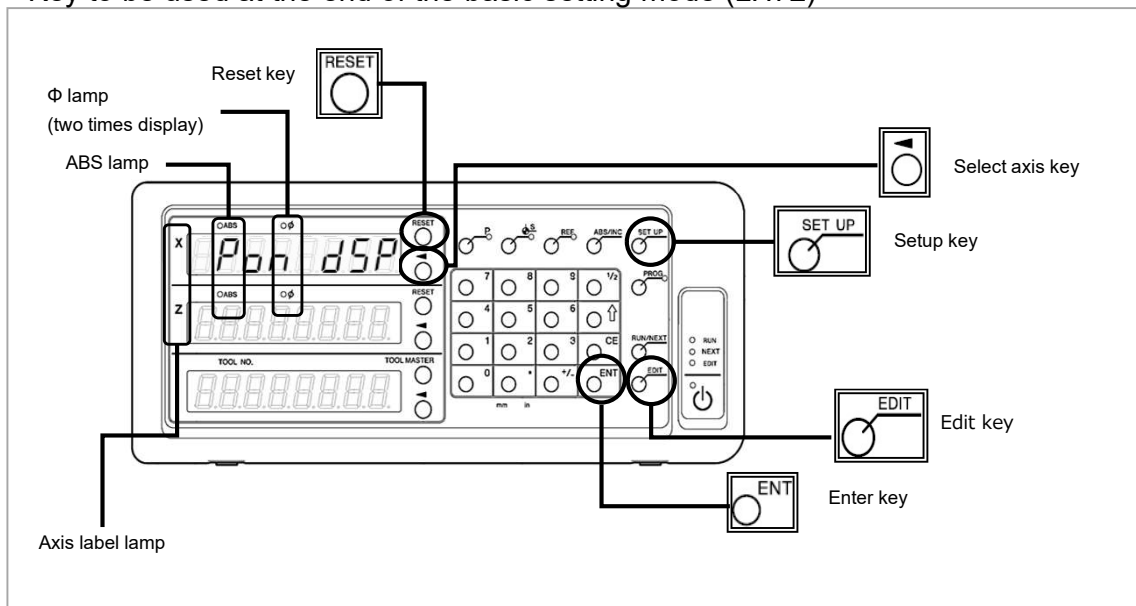
Once you have completed the basic settings, exit this mode and move to Detailed Setting mode.

### How to Exit Basic Setting Mode

- ① Press  key or  key.
- ② The display changes to  .
- ③ Pressing  key displays  .
- ④ Press  key.
- ⑤ Press  key. The display returns to normal.

This completes the basic settings.

### Key to be used at the end of the basic setting mode (LH72)



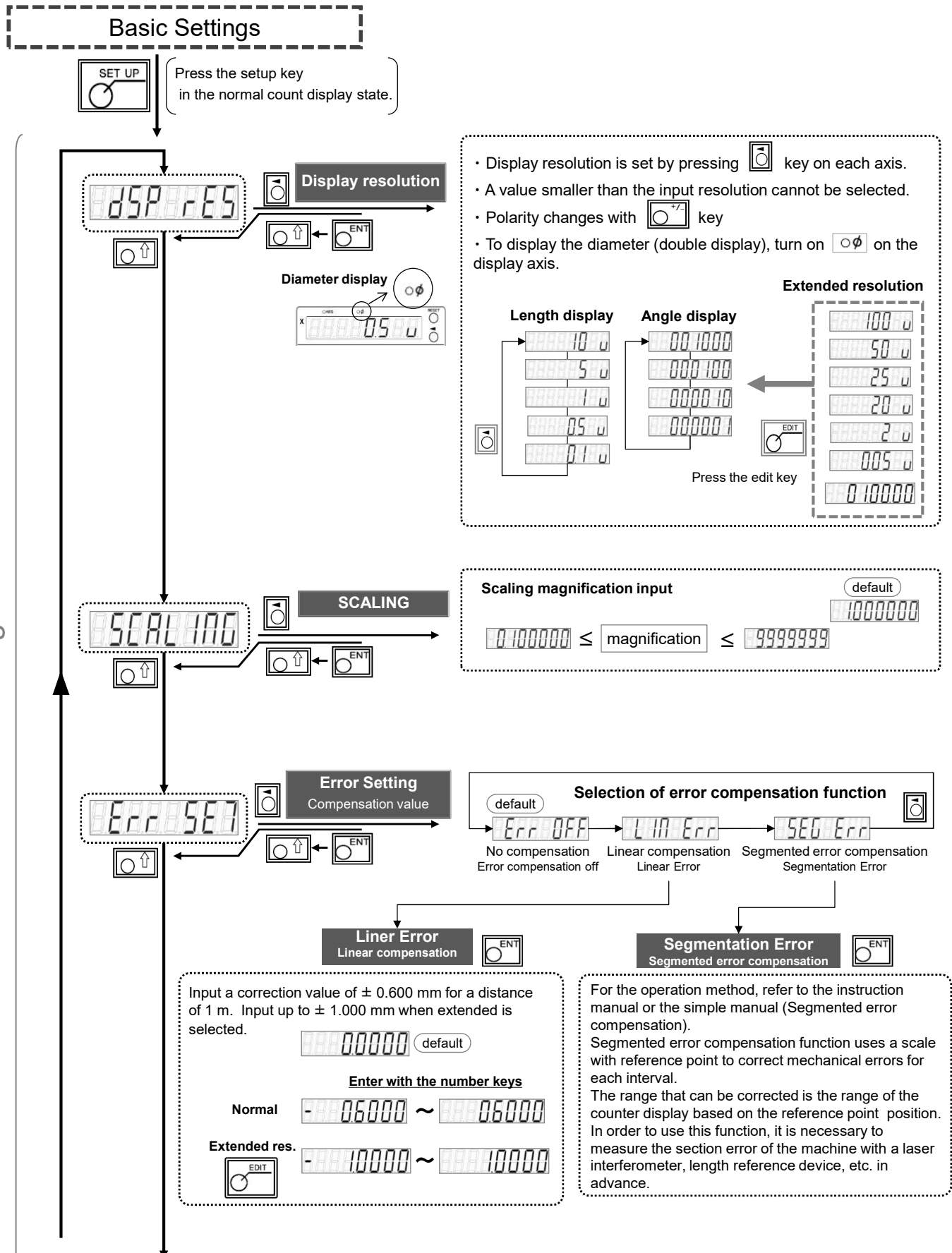
# How to set up Detailed Settings (1/1) (continued from Basic Settings)

## Step 4

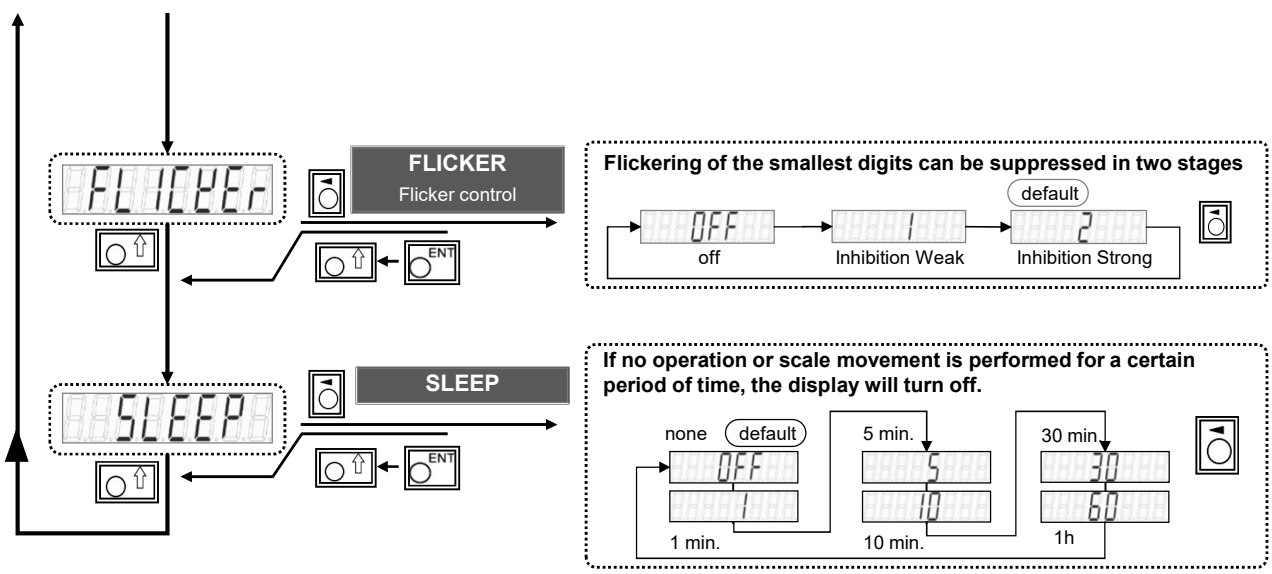
Make the detailed settings.

\*If you have already completed the basic settings and want to reconfigure only the advanced settings, you can do the same.

Detailed Settings



Detailed Settings



**Step 5**

When the Detailed Settings are complete, switch to the normal display.

Press  key.

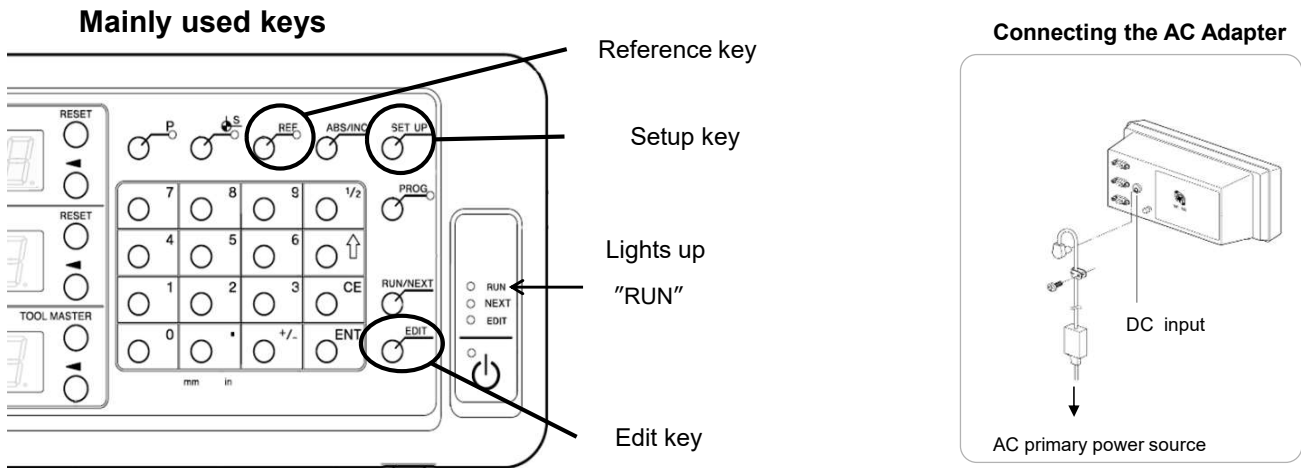
This completes the initial settings..



# Factory Default (All Clear)

To set the factory settings (all clear), perform the following operations.  
 Make preparation such as taking notes in advance for necessary items.  
 Also, do not perform any operation other than the explanation.

**CAUTION: IF YOU DO THIS, ALL SETTINGS WILL BE THE FACTORY DEFAULT SETTINGS.**



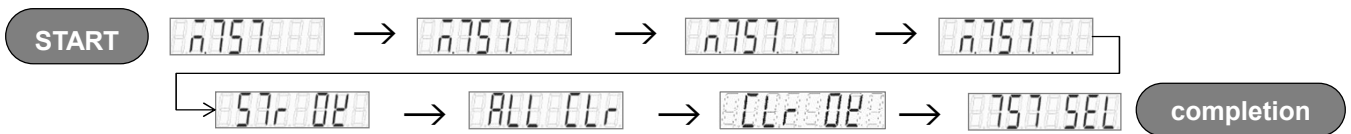
1. Hold down key and key at the same time to start the power supply.

Connect the AC adapter to the DC-IN input on the back of the counter and turn on the primary power supply.

⇒ The model name of the counter is displayed

2. When you press key, is displayed, followed by .

3. Pressing key changes the display as shown below.



4. "RUN" LEDs will be lit.
5. Press key to confirm the number of input axis.

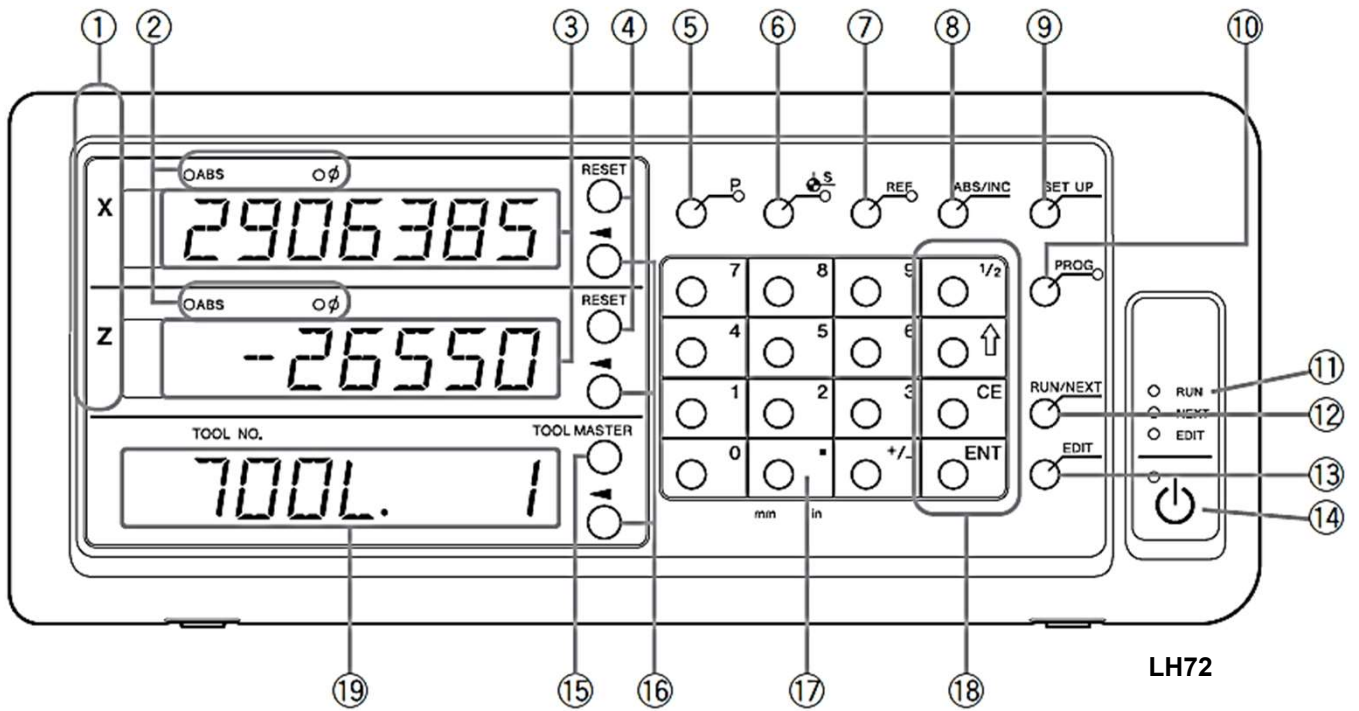
In case of LH72-3 is displayed.

6. Turn off the primary power supply of the AC adapter.

**How to check the software version:**  
 Power ON → Display LH → Key → Version  
 Press any key to return to the LH display.

# Appendix 1

## Front panel



No.	Name	No.	Name	No.	Name
①	Axis label	⑧	ABS/INC key	⑮	TOOL MASTER key
②	ABS lamp, $\Phi$ lamp	⑨	SETUP key	⑯	Axis select key
③	Counter display	⑩	PROG key	⑰	Numeric key
④	RESET key	⑪	Status lamp	⑱	Function key
⑤	P key	⑫	RUN/NEXT key		Tool coordinates (Tool number)
⑥	Datum point value setting key	⑬	EDIT key		
⑦	REF key	⑭	Standby key		

## Alarm indication

Display	Status	Display	Status
	Measurement unit not connected		Storage data error
	Speed over (NOTE)		Error in reference point detection
	Overflow		Program error
	Power failure		Program error

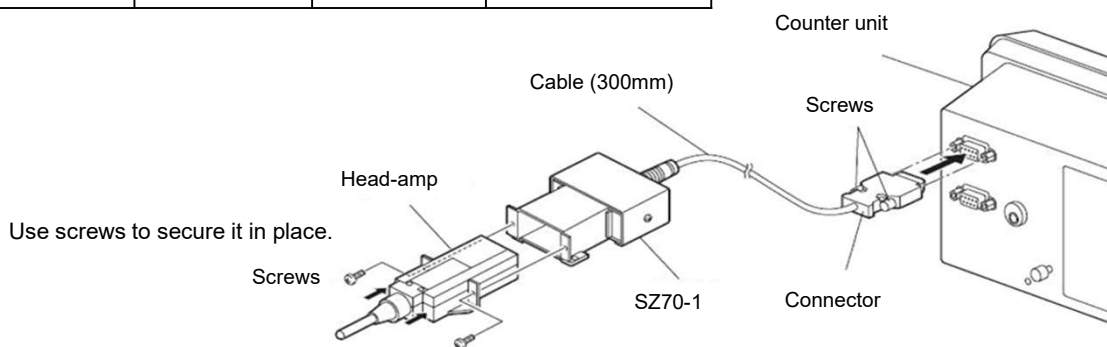
NOTE: When using an adapter connection (SZ\*\*), no speed override indication is shown, but rather an error message.

# Appendix 2-1

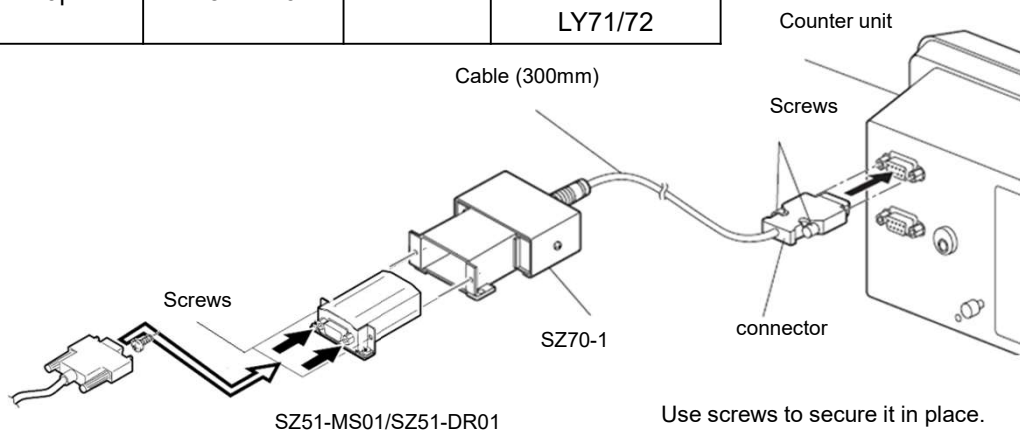
## Adapter connection (Length scale)



Scale/ Head	Resolution	Adapter	Counter
SR128(GB-A)	0.5μm	SZ70-1	LG20
PL20B	10μm		LH70/71/71A/72
SJ700	5μm		LY71/72

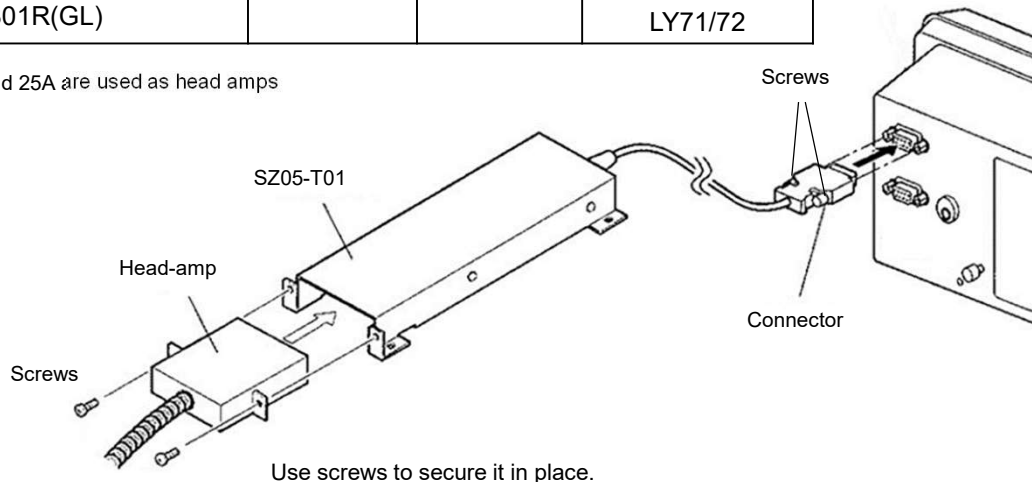


Scale/ Head	Resolution	Adapter 1	Adapter 2	Counter
SR108(GB)	0.5μm	SZ51-MS01	SZ70-1	LG20
PL20A	10μm	SZ51-DR01		LH70/71/71A/72
				LY71/72



Scale	Resolution	Adapter	Counter
SR-1711(GP), SR10A/741(GS), SR50A(GF,GF-R), SR30A(GM), SR801/801R(GL)	0.5μm	SZ05-T01	LG20
			LH70/71/71A/72
			LY71/72

\* HA13A, 15A, 23A and 25A are used as head amps

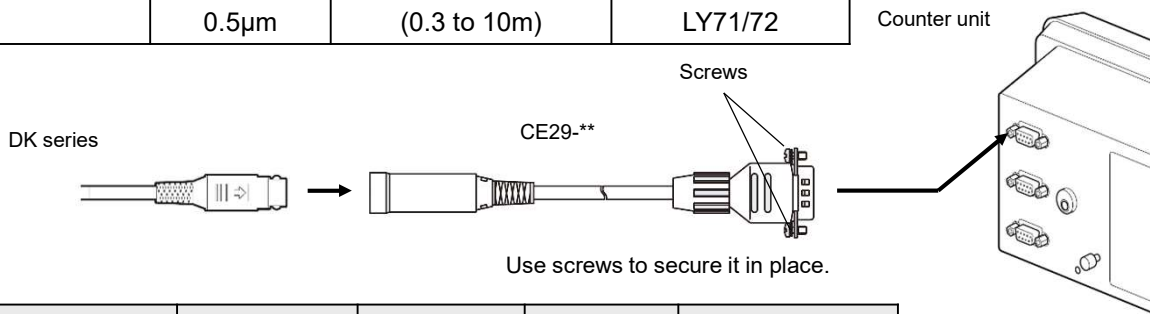


# Appendix 2-2

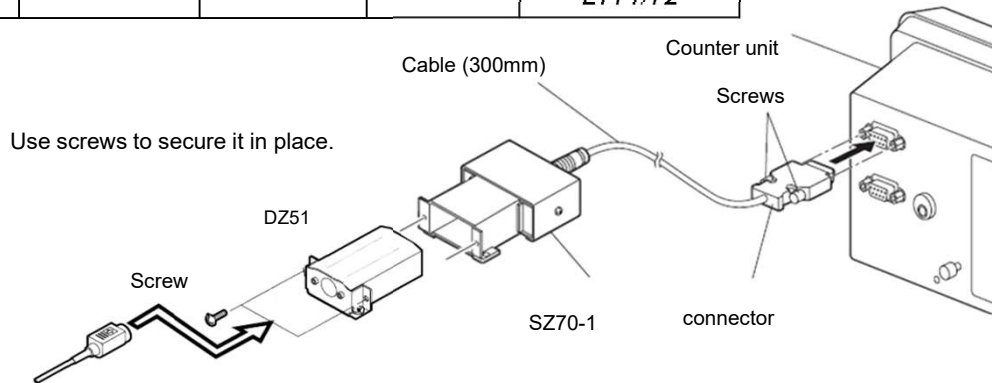
## Adapter connection (Digital gauge)



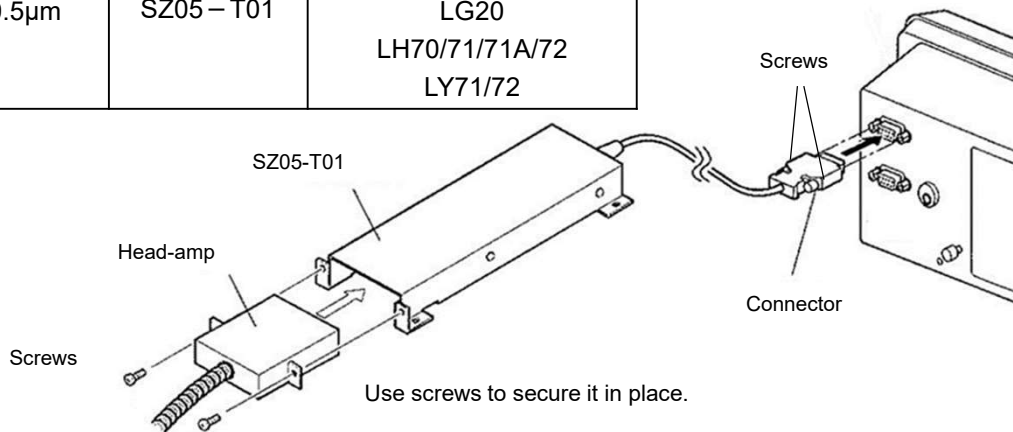
Gauge	Resolution	Connection cable	Counter
DK-**	0.1µm or 0.5µm	CE29-** **: 003/01/03/05/10 (0.3 to 10m)	LG20 LH70/71/71A/72 LY71/72



Gauge	Resolution	Adapter 1	Adapter 2	Counter
DG-B	0.5µm	DZ51	SZ70-1	LG20 LH70/71/71A/72 LY71/72
DL310B/330B	10µm			



Gauge	Resolution	Adapter	Counter
DG	0.5µm	SZ05-T01	LG20 LH70/71/71A/72 LY71/72



Gauge	Resolution	Adapter	Counter
DE12BR/30BR	0.1µm	SZ70-1	LG20 LH70/71/71A/72 LY71/72

