

Other Models

Absolute linear encoder slim type SR77

- FANUC
- Mitsubishi Electric
- Panasonic
- Yaskawa Electric



- Effective length: 70,120,170,220,270,320,370,420,470,520,570,620,720,770,820,920,1020,1140,1240,1340,1440,1540,1640,1740,1840,2040 mm
- Maximum resolution: 0.01 μm
- Accuracy: (3+3L/1,000) μmp-p L:mm (5+5L/1,000) μmp-p L:mm
- Maximum response speed: 200m/min
- Protective design grade: IP65

Cable: CH33
※ Please refer to page 29 for cable specifications.

SR77-xxx★○△◇□□□

Reference point position	Indication method	Reference point position	Indication method	Reference point position	Indication method
Less than 1,000	Number (850 mm→850)	1,700-1,799 mm	H + lower 2 digits	Center	X
1,000-1,099 mm	A + lower 2 digits (1,050 mm→450)	1,800-1,899 mm	J + lower 2 digits		
1,100-1,199 mm	B + lower 2 digits	1,900-1,999 mm	K + lower 2 digits		
1,200-1,299 mm	C + lower 2 digits	2,000-2,040 mm	L + lower 2 digits		
1,300-1,399 mm	D + lower 2 digits				
1,400-1,499 mm	E + lower 2 digits				
1,500-1,599 mm	F + lower 2 digits				
1,600-1,699 mm	G + lower 2 digits				

Type	NC manufacturer	Number of wires
A	FANUC α interface	4-wire
B	Mitsubishi Electric	2-wire
D	Mitsubishi Electric	4-wire
H	Panasonic	2-wire
F	Yaskawa Electric	2-wire

Type	Direction	Resolution	Type	Direction	Resolution
A		0.01	F		0.01
B		0.05	G		0.05
C	(plus)	0.1	H	(minus)	0.1
D		0.5	J		0.5
E		1	K		1

Type	Direction	Number of partitions
L	(plus)	1/8,192
M		1/1,024

Type	Accuracy grade
A	(5+5L/1,000) μm
S	(3+3L/1,000) μm

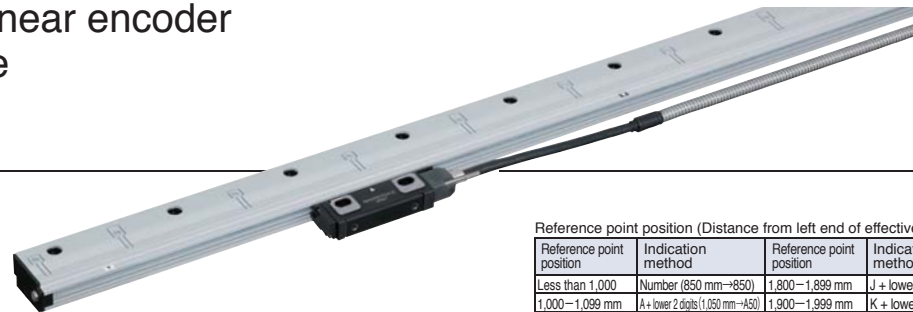
Type	Lead-out direction
R	Right
L	Left

Effective length (L): cm units

L: Effective length(mm)

Absolute linear encoder robust type SR87

- FANUC
- Mitsubishi Electric
- Panasonic
- Yaskawa Electric



- Effective length: 140,240,340,440,540,640,740,840,940,1040,1140,1240,1340,1440,1540,1640,1740,1840,2040,2240,2440,2640,2840,3040 mm
- Maximum resolution: 0.01 μm
- Accuracy: (3+3L/1,000) μmp-p L:mm (5+5L/1,000) μmp-p L:mm
- Maximum response speed: 200m/min
- Protective design grade: IP65

Cable: CH33
※ Please refer to page 29 for cable specifications.

SR87-xxx★○△◇□□□

Reference point position	Indication method	Reference point position	Indication method	Reference point position	Indication method
Less than 1,000	Number (850 mm→850)	1,800-1,899 mm	J + lower 2 digits	2,700-2,799 mm	T + lower 2 digits
1,000-1,099 mm	A + lower 2 digits (1,050 mm→450)	1,900-1,999 mm	K + lower 2 digits	2,800-2,899 mm	U + lower 2 digits
1,100-1,199 mm	B + lower 2 digits	2,000-2,040 mm	L + lower 2 digits	2,900-2,999 mm	V + lower 2 digits
1,200-1,299 mm	C + lower 2 digits	2,100-2,199 mm	M + lower 2 digits	3,000-3,040 mm	W + lower 2 digits
1,300-1,399 mm	D + lower 2 digits	2,200-2,299 mm	N + lower 2 digits	Center	X
1,400-1,499 mm	E + lower 2 digits	2,300-2,399 mm	P + lower 2 digits		
1,500-1,599 mm	F + lower 2 digits	2,400-2,499 mm	Q + lower 2 digits		
1,600-1,699 mm	G + lower 2 digits	2,500-2,599 mm	R + lower 2 digits		
1,700-1,799 mm	H + lower 2 digits	2,600-2,699 mm	S + lower 2 digits		

Type	NC manufacturer	Number of wires
A	FANUC α interface	4-wire
B	Mitsubishi Electric	2-wire
D	Mitsubishi Electric	4-wire
H	Panasonic	2-wire
F	Yaskawa Electric	2-wire

Type	Direction	Resolution	Type	Direction	Resolution
A		0.01	F		0.01
B		0.05	G		0.05
C	(plus)	0.1	H	(minus)	0.1
D		0.5	J		0.5
E		1	K		1

Type	Direction	Number of partitions
L	(plus)	1/8,192
M		1/1,024

Type	Accuracy grade
A	(5+5L/1,000) μm
S	(3+3L/1,000) μm

Type	Lead-out direction
R	Right
L	Left

Effective length (L): cm units

L: Effective length(mm)

Incremental linear encoder slim type SR75

- Mitsubishi Electric
- Panasonic
- Yaskawa Electric



- Effective length: 70,120,170,220,270,320,370,420,470,520,570,620,720,770,820,920,1020,1140,1240,1340,1440,1540,1640,1740,1840,2040 mm
- Maximum resolution: 0.01 μm
- Accuracy: (3+3L/1,000) μmp-p L:mm (5+5L/1,000) μmp-p L:mm
- Maximum response speed: 200m/min
- Protective design grade: IP65

Cable: CH33
※ Please refer to page 29 for cable specifications.

SR75-xxx★○△◇□□□

Reference point position	Indication method	Reference point position	Indication method
Less than 1,000	Number (850 mm→850)	1,700-1,799 mm	H + lower 2 digits
1,000-1,099 mm	A + lower 2 digits (1,050 mm→450)	1,800-1,899 mm	J + lower 2 digits
1,100-1,199 mm	B + lower 2 digits	1,900-1,999 mm	K + lower 2 digits
1,200-1,299 mm	C + lower 2 digits	2,000-2,040 mm	L + lower 2 digits
1,300-1,399 mm	D + lower 2 digits	Center	X
1,400-1,499 mm	E + lower 2 digits	Multi	Y
1,500-1,599 mm	F + lower 2 digits	Signed-type	Z
1,600-1,699 mm	G + lower 2 digits		

Type	NC manufacturer	Number of wires
B	Mitsubishi Electric	2-wire
D	Mitsubishi Electric	4-wire
H	Panasonic	2-wire
F	Yaskawa Electric	2-wire

Type	Direction	Resolution
A		0.01
B		0.05
C	(plus)	0.1
D		0.5
E		1

Type	Direction	Number of partitions
L	(plus)	1/8,192
M		1/1,024

Type	Accuracy grade
A	5+5L/1,000 μm
S	3+3L/1,000 μm

Type	Lead-out direction
R	Right
L	Left

Effective length (L): cm units

L: Effective length(mm)

Incremental angle encoder enclosed type RU74

A/B/Reference point

- Hollow diameter: φ20
- Resolution: Approx. 1/1,000°, Approx. 1/10,000°
- Accuracy: ±2.5"
- Maximum response revolution: As the table on the right
- Protective design grade: IP65

Cable
CE28-***○#

Scale side connector
Conduit
Type/Conduit
C With conduit (standard)
N Without conduit

Cable length
Written by flush right, indication in "10 cm" units, up to 14 m, 1 m pitch
Note: 15 m or less including RU74 main unit head cable length

RU74-4096A□■



Type	Minimum phase difference		Type	Response revolutions (min.)	
	Approx. 1°/1,000	Approx. 1°/10,000		Minimum phase difference	Approx. 1°/1,000
A	50	2,000	E	250	533
B	100	1,332	F	300	444
C	150	888	G	400	333
D	200	666	H	500	266
			J	650	205
			K	1,000	133

Type	Resolution	Rotation direction and polarity	Number of pulses/revolution
A	Approx. 1°/1,000	CW/+	360,448
B	Approx. 1°/1,000	CCW/+	360,448
C	Approx. 1°/10,000	CW/+	3,600,384
D	Approx. 1°/10,000	CCW/+	3,600,384