

Magnescale

Scale Unit / Maßstabseinheit / 直线标尺器

SJ700A Series

SJ700A-015~160

Read all instructions in the manual carefully before use and strictly follow them.
Keep the manual for future references.

Lesen Sie die ganze Anleitung vor dem Betrieb aufmerksam durch und folgen Sie beim Betrieb des Geräts den Anweisungen. Bewahren Sie diese Bedienungsanleitung zum späteren Nachlesen griffbereit auf.

感谢您惠购本产品。

使用之前请务必认真阅读本手册，并且严格按照手册中的规定操作。将此手册留作以后的参考。

MAGNESCALE / MILLMAN

Instruction Manual / Bedienungsanleitung / 使用说明书
Serial No. 700001 and Higher

[For U.S.A. and Canada]

THIS CLASS A DIGITAL DEVICE COMPLIES WITH PART 15 OF THE FCC RULES AND THE CANADIAN ICES-003. OPERATION IS SUBJECT TO THE FOLLOWING TWO CONDITIONS.

- (1) THIS DEVICE MAY NOT CAUSE HARMFUL INTERFERENCE, AND
- (2) THIS DEVICE MUST ACCEPT ANY INTERFERENCE RECEIVED, INCLUDING INTERFERENCE THAT MAY CAUSE UNDERSIGNED OPERATION.

CET APPAREIL NUMÉRIQUE DE LA CLASSE A EST CONFORME À LA NORME NMB-003 DU CANADA.

Safety Precautions

Magnescape Co., Ltd. products are designed in full consideration of safety. However, improper handling during operation or installation is dangerous and may lead to fire, electric shock or other accidents resulting in serious injury or death. In addition, these actions may also worsen machine performance.

Therefore, be sure to observe the following safety precautions in order to prevent these types of accidents, and to read these “Safety Precautions” before operating, installing, maintaining, inspecting, repairing or otherwise working on this unit.

Warning indication meanings

The following indications are used throughout this manual, and their contents should be understood before reading the text.

Warning

Failure to observe these precautions may lead to fire, electric shock or other accidents resulting in serious injury or death.

Caution

Failure to observe these precautions may lead to electric shock or other accidents resulting in injury or damage to surrounding objects.

Note

This indicates precautions which should be observed to ensure proper handling of the equipment.

SJ700A

Symbols requiring attention



CAUTION



ELECTRICAL
SHOCK

Symbols prohibiting actions



DO NOT
DISASSEMBLE

Symbols specifying actions



UNPLUGGING

Warning



- Do not use this unit with voltages other than the specified supply voltage as this may result in fire or electric shock.
- Do not perform installation work with wet hands as this may result in electric shock.



- Do not disassemble or modify the unit as this may result in injury or damage the internal circuits.

Caution



- Be sure to check the machine and device conditions to ensure work safety before working on the machine.



- Be sure to cut off the power supply, air and other sources of drive power before working on the machine. Failure to do so may result in fire or accidents.



- When turning on the power supply, etc. to operate the machine, take care not to catch your fingers in peripheral machines and devices.

Handling Precautions

Installation precautions

When installing this unit, care should be given to the following points to prevent noise and electromagnetic wave interference from other equipment.

1. Do not pass lead and connection cables through the same ducts as power lines.
2. Be sure to install the unit at least 0.5 m (20") or more away from high voltage or large current sources or high-power relays.
3. Absolutely do not bring the unit near magnets or sources of electromagnetic waves.

Note

- Magnet chucks and other sources of magnetic force of approx. $600 \times 10^{-4} \text{T}$ (600 G) should be kept at least 50 mm (2") or more away from the side surfaces and 100 mm (4") or more away from the opening surfaces of the scale's steel chassis.
- If the unit must be installed close to sources of magnetic force, be sure to implement adequate electromagnetic shielding countermeasures.

Installation place precautions

1. Mount the scale for more precise positioning as closely as possible to the workpiece or to the object being measured.
(The farther the scale is mounted from workpiece, the greater the mechanical errors grow.)
2. The scale unit should be used within an ambient temperature range of 0 to 40°C. Avoid locations where the scale is exposed to direct sunlight and heat sources such as motors.
3. Do not place anything on the mounted scale, or step on it: excessive force to the scale causes trouble.
4. Never install the scale in locations such as places where the scale could be exposed directly to coolant liquid or to coolant in mist form.

■ General precautions

When using Magnescale Co., Ltd. products, observe the following general precautions along with those given specifically in this manual to ensure proper use of the products.

- Before and during operations, be sure to check that our products function properly.
- Provide adequate safety measures to prevent damage in case our products should develop a malfunction.
- Use outside indicated specifications or purposes and modification of our products will void any warranty of the functions and performance as specified for our products.
- When using our products in combination with other equipment, the functions and performance as noted in this manual may not be attained, depending upon the operating environmental conditions. Make a thorough study of the compatibility in advance.

1. Outline	1	4. Specifications	18
1-1. Introduction	1	4-1. General Specifications.....	18
1-2. Major Features.....	1	4-2. Dimensions.....	19
1-3. Parts Configuration	1		
1-4. System Configuration	2		
2. Name and Function of Each Part	3		
3. Mounting Method.....	5	5. Trouble Information	20
3-1. Mounting Precautions.....	5		
3-1-1. Checking the mounting method	5		
3-1-2. Setting the operating range	6		
3-1-3. Protection of the head cable	6		
3-1-4. Mounting a protective cover	6		
3-2. Required Items for Mounting	7		
3-3. Mounting Procedure.....	8		
3-4. Mounting Dimensions.....	8		
3-4-1. Mounting of the scale	9		
3-4-2. Mounting of the slider.....	11		
3-4-3. Removal of the slider holder.....	14		
3-4-4. Checking of the operating range.....	15		
3-4-5. Mounting of the conduit cable.....	15		
3-4-6. Connection of the head cable to a counter unit	16		
3-4-7. Removal of the scale	17		

1. Outline

1-1. Introduction

SJ700A series of linear scales are semi-modular types that incorporate the detector inside the scale, and the relative positions of their scale and head are adjusted and secured using a slider holder.

The SJ700A series may be used as is by connecting it to a Magnescale Co., Ltd. counter unit (LG20, LH70 series).

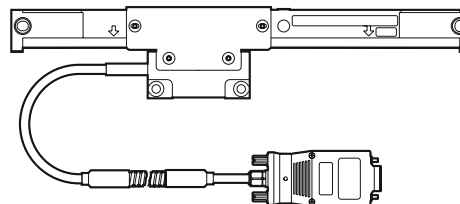
1-2. Major Features

- Compact size and light weight
- Easy to install
- Same coefficient of expansion as that of machine tools
- Highly resistant to oils and dirt

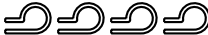









SJ700A

1-3. Parts Configuration

Scale unit	Scale	1
------------	-------------	---

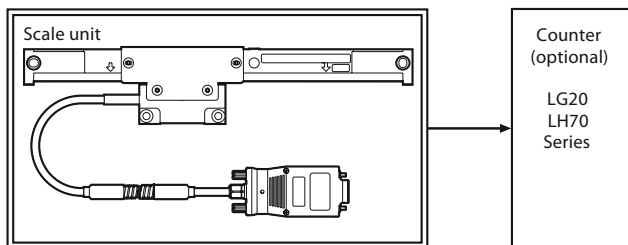


Accessories

Cable clamps	4	
(For securing the conduit cable)		
+P 4 × 10	4	
(For securing wires)		
Spacers	5	
(For securing the slider)		
HSB M4 × 10	3	
(For securing the scale)		
Screening label	1	
(For covering the screw holes when the slider holder is removed)		
HSB M4 × 14	2	
(For securing the slider)		
Plain washers (S)	2	
(For securing the slider)		
HSB M5 × 25	2	
(For securing the slider)		
Plain washers (M)	3	
(For securing the scale)		
Nuts (for M5)	2	
(For securing the slider)		
Instruction manual	1	

1-4. System Configuration

System configuration

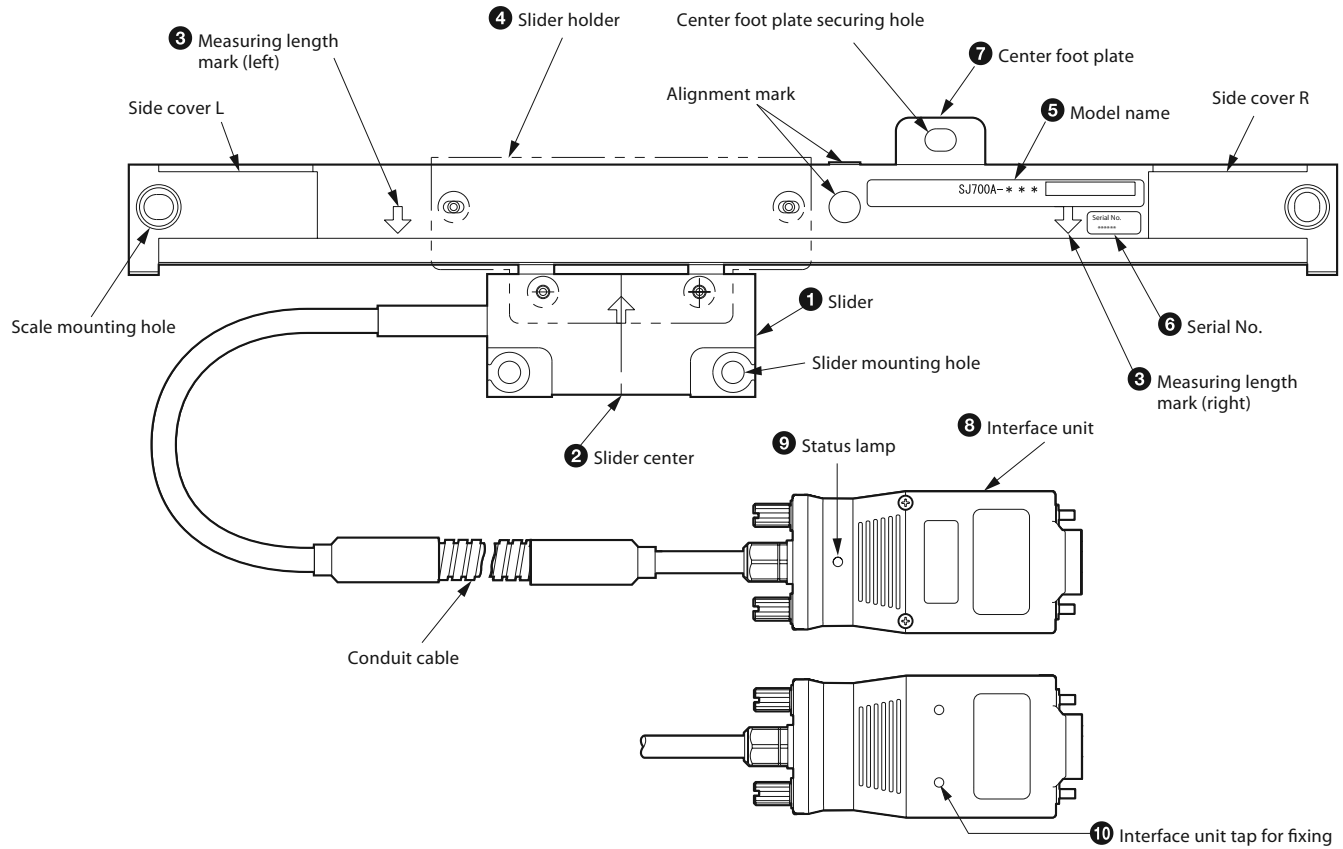


Model line up

Unit: mm (inch)

Model name	Measuring length	Cable length
SJ700A-015	150 (5.91")	3000 (118.11")
SJ700A-025	250 (9.84")	
SJ700A-035	350 (13.78")	
SJ700A-040	400 (15.75")	
SJ700A-050	500 (19.69")	
SJ700A-065	650 (25.59")	
SJ700A-080	800 (31.50")	5000 (196.85")
SJ700A-095	950 (37.40")	
SJ700A-105	1050 (41.34")	
SJ700A-125	1250 (49.21")	
SJ700A-140	1400 (55.12")	
SJ700A-160	1600 (62.99")	

2. Name and Function of Each Part



1 Slider

This holds the detection head. When shipped, it is secured by the slider holder.

2 Slider center

This indicates the mechanical center of the slider. It serves as a reference when viewing the relative position with the measuring length marks.

3 Measuring length marks

These indicate the effective movement range over which accuracy is assured with respect to the slider center.

Note

When mounting and using the scale unit, be sure to operate the unit within this range. Using the scale unit in excess of the effective movement range may damage the unit.

4 Slider holder

This secures the scale body and slider, and should be stored after removal.

5 Model name

This indicates the scale unit model name.

6 Serial No.

This indicates the scale unit serial No.

7 Center foot plate

This is mounted when the measuring length is 1250 mm or more, and should be secured when mounting the scale unit.

8 Interface unit

This is connected to the rear panel of the counter unit. The interface unit contains an internal circuit which is electrically adjusted to the optimal setting.

9 Status lamp

This is a lamp for checking the signals.

Lit green : Normal

Lit orange : Warning (Signal level drop)

Lit red : Error (Signal level drop)

Blinking red : Error (Overspeed)

10 Interface unit tap for fixing

The interface unit can be secured in place using the supplied fixing plate and screw. (M3 depth 3 mm)

3. Mounting Method

3-1. Mounting Precautions

3-1-1. Checking the mounting method

Check that the scale unit can be mounted in the relative position shown in the Fig. 3-1.

* Do not mount the scale in any other direction since difficulties with servicing and maintenance may arise.

(Mounting position **B** is available only when the scale can be protected from cutting oil and chips. (See “3-1-4”))

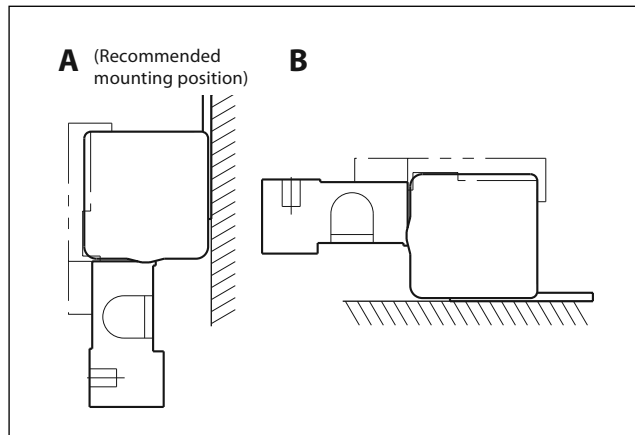


Fig. 3-1 Scale mounting direction

When mounting the scale vertically, be sure to mount the scale slider on the opposite side of a workpiece or cutting tool.

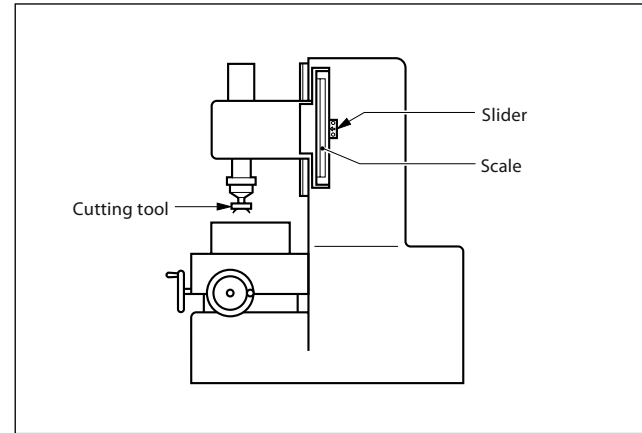


Fig. 3-2 Mounting the scale vertically

3-1-2. Setting the operating range

- The measuring length of the scale is the distance between the measuring length marks (↕) at both ends of the scale.
- Mount the scale in such a position that the slider center moves within these measuring length marks.
- A leeway (10 mm (0.39")) on the left and right) is provided for the slider movement. Take special care not to move the slider beyond this limit or the scale may be damaged.

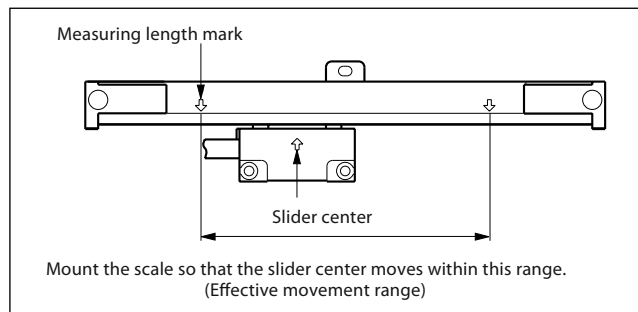


Fig. 3-3 Operating range

- Mechanical limiting devices (stoppers, etc.) are required for sliders which move in excess of the effective movement range of the scale unit. In these cases, be sure to take the appropriate measures before mounting the scale unit.

3-1-3. Protection of the head cable

The head cable and scale come as a single integrated unit. Take care not to pull the head cable forcefully or bend it repeatedly or the cable may break.

3-1-4. Mounting a protective cover

If the scale is mounted in a location where it may be exposed directly to chips or cutting oil, it is recommended that a protective cover such as the one shown in Fig. 3-4 be installed so that the scale is not exposed to the outside as far as possible. This will help to maintain the scale's performance.

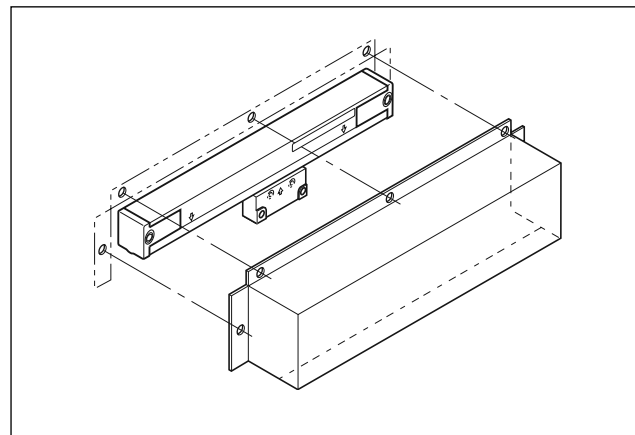


Fig. 3-4 Example of protective cover

3-2. Required Items for Mounting

Accessories (supplied)

Hex socket head cap screw	3
M4 × 10 for mounting scale (Use 2 for scales with a measuring length less than 1,250 mm (49.21").)	
Hex socket head cap screw	2
M4 × 14 for mounting slider	
Pan head screw	4
M4 × 10 for cable clamp	
Plain washer (M)	3
with 4 mm (0.16") dia. hole (Use 2 for scales with a measuring length less than 1,250 mm (49.21").)	
Plain washer (S)	2
with 4 mm (0.16") dia. hole for mounting slider	
Cable clamp for mounting conduit cable (M)	4
Screening label.....	1
for concealing the screw holes after the slider holder has been removed	
Hex socket head cap screw	2
M5 × 25 for mounting slider	
Hex nut	2
M5 for mounting slider	
Spacer	5
t = 0.1 for mounting slider	

Tools you need other than the supplied accessories.

Bracket for mounting scale (for A B surfaces)	1 to 2
Bracket for mounting slider (for C surface).....	1
Dial indicator with magnetic base capable of reading 0.01 mm (0.0005")	1 to 2
Allen wrench for M2.6 (2 mm (0.079")) type.....	1
Allen wrench for M4 (3 mm (0.118")) type	1
Allen wrench for M5 (4 mm (0.157")) type.....	1
Phillips head screwdriver for M2.6.....	1
Tap M4.....	1
Drill ϕ 3.2 (0.126") dia	1
Electrical drill.....	1
Liner, spacer t = 0.05 to 0.2 mm (0.002 to 0.08")	Some
Phillips head screwdriver No.2.....	1

Note: L= measuring length
t = thickness

3-3. Mounting Procedure

Precautions

The procedures for mounting the scale unit are described below.

For the scale unit, the only disassembly process during the mounting work is removing the slider holder. (See “3-4-3”). Do not disassemble other locations.

The scale unit is comprised of precision mechanical and electromagnetic parts, so applying excessive force will have a large effect on the unit's performance and service life. Therefore, take care not to apply excessive force when mounting the scale unit.

In addition, when carrying the unit, the scale body and slider should be held together. Take care not to carry the scale by the head cable or interface unit.

3-4. Mounting Dimensions

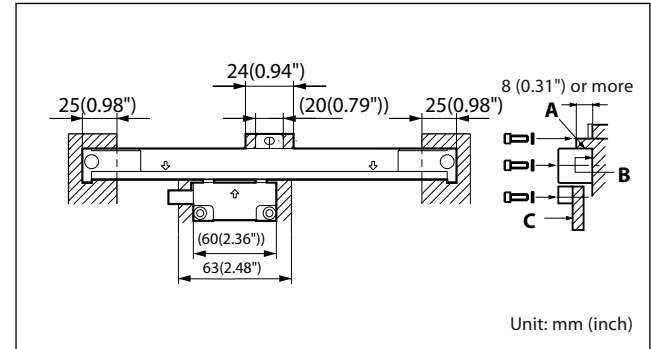


Fig. 3-5 Mounting dimensions

3-4-1. Mounting of the scale

<1> When the mounting surface already meets parallelism and flatness requirements

When the scale mounting surface is finished and meets the parallelism and flatness specifications below, just mount the scale. (For scales of $L < 1250$ mm (49"), use two M4 \times 10 hex socket head cap screws and two plain washers (M); for scales of $L \geq 1250$ mm (49"), use three M4 \times 10 hex socket head cap screws and three plain washers (M). Tightening torque: 350 N·cm/35 kgf·cm)

Flatness of A, B surfaces	within 0.15 mm (0.006")
Parallelism of A, B surfaces to machine table movement	

Provide the range shown in Fig. 3-5 for surface **A**.

The above tolerances suppose no quick change in the surfaces and no obstacle in the way between the right and left mounting surfaces.

<2> When the scale mounting surface is a casting surface

Mount the scale using mounting brackets

(1) When the scale mounting surface is a casting surface and parallelism is not satisfied

Use mounting brackets and adjust so that the parallelism specified in <1> may be satisfied.

Mounting brackets are only necessary at the left and right foot areas of the scale. They do not need to extend the entire length of the scale. However, if it is not possible to measure the parallelism of the left and right feet due to the movable length of the mounted unit, it will be necessary to make longer mounting brackets.

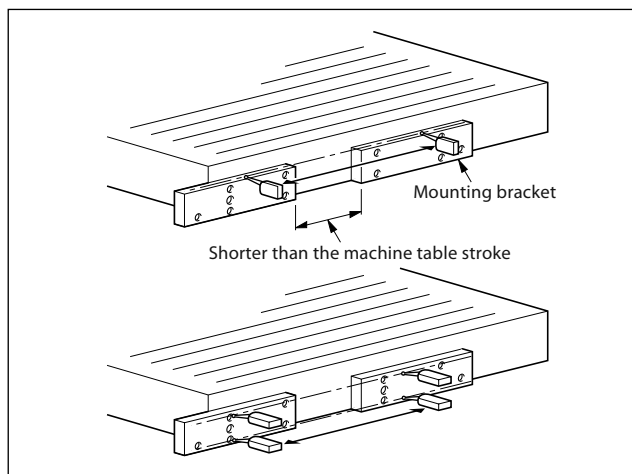


Fig. 3-6 Length of mounting brackets and measurement of their parallelism

(2) Checking of mounting position and tapping

Check that the parallelism for mounting scale meets the specifications, and then tap for M4 screws of 10 mm (0.39") depth referring to the Dimensions on page 19.

(3) Mounting of the scale

Mount the scale loosely with M4 × 10 hex socket head cap screws and plain washers (M), and leave it for 30 minutes for the scale to reach ambient temperature. Then firmly mount the scale.

(4) Measuring parallelism of scale with machine table movement

Place a dial gauge directly where the alignment mark (Fig. 3-7 ① in the figure below) is positioned on the side of the scale, and check that the scale is surely mounted parallel to the machine table movement.

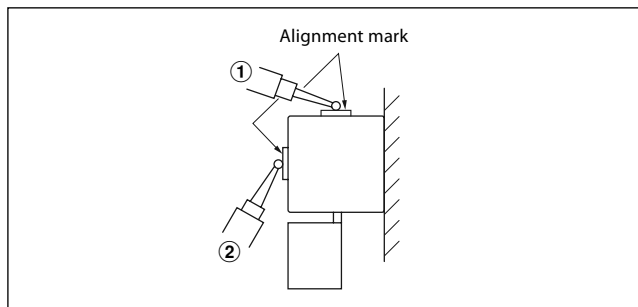


Fig. 3-7 Parallelness check of scale and machine table movement

Adjust the parallelism of the length between the two alignment marks to within 0.15 mm (0.006") and tighten the setscrews. For the scale with a measuring length of 1250 (49.21") or more, adjust the parallelisms of the lengths between the alignment mark and those on both sides of it to within 0.15 mm (0.006").

Note

Since alignment marks are not provided on scales with a measuring length of 250 mm (9.8") or less, place the dial gauge on the scale unit and ensure that the allowance at the two ends of the machine travel is within 0.15 mm (0.006").

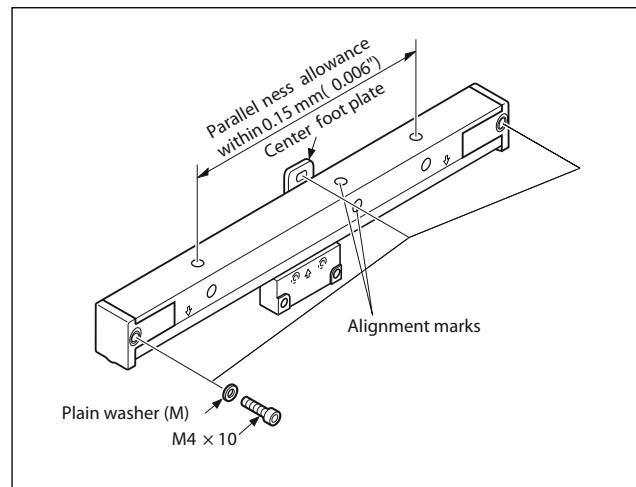


Fig. 3-8 Parallelism check by alignment marks

(5) When the specified parallelism for the scale mounting bracket is not obtained

Insert spacers below the feet and make adjustment by placing a dial gauge at ② in Fig. 3-7 to adjust the parallelism to within 0.15 mm (0.006") throughout the length between may be obtained at the alignment marks.

For scales equipped with a center foot plate (measuring length 1,250 to 1,600 mm (49.21 to 62.99 inch)), make sure that the parallelism near the center foot plate is also within 0.15 mm (0.006").

3-4-2. Mounting of the slider

(1) When parallelism and flatness of the mounting surface are already satisfied

When the mounting surface is finished and its parallelism and flatness satisfy the specifications below, just mount the slider using two M4 × 14 hex socket head cap screws and two plain washers (S).

The mounting dimensions differ depending on the clearance between the **B** and **C** surfaces.

Flatness of C surface	within 0.1 mm (0.004")
Parallelism of C surface to machine table movement	0.1 mm/60 mm (0.004"/2.36")
Parallelism between B and C surfaces	
Clearance between B and C surface	8.7 to 8.9 mm (0.343" to 0.350")
	9 mm (0.35") ±0.1 mm (0.004")

• If clearance between **B and **C** surfaces is set to between 8.7 and 8.9 mm**

Move the machine table till the mounting surface comes just at the slider. First use the spacers provided to fill the gap between the mounting surface and slider, and then secure the slider. Then remove the screws which fix slider holder. (If the gap is still not filled, check the gap between the **B** and **C** surfaces and adjust it is necessary.)

- If the gap between the B and C surfaces is set to 9 ± 0.1 mm (0.354 " ± 0.004 ").

Remove the two screws securing the scale and the slider holder and move the slider by hand to align it with the brackets. Secure the slider in place in the position where the protruding portion (D) of the slider holder comes into contact with the scale. Finally, remove the slider holder from the slider.

Note

Attempting to move the bracket side when the slider holder is secured could cause the brackets to strike the slider. Therefore, always move only the slider side.

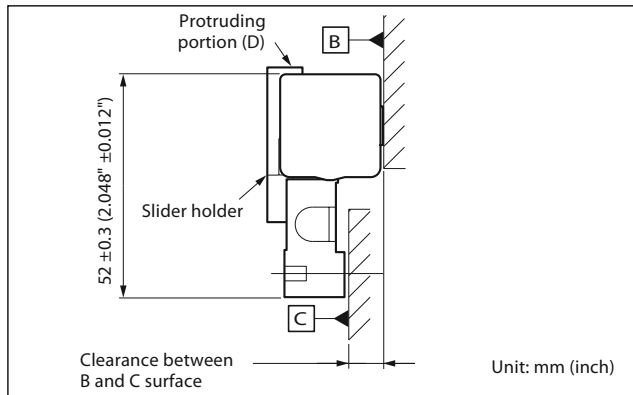


Fig. 3-9

- (2) When the slider mounting surface has yet to meet the specifications

When the mounting surface of the machine is a casting surface, use a bracket. Place the bracket on the underside of the slider without loosening the screws that hold the slider holder. Adjust the position of the bracket and mount it with the supplied M4 × 14 bolts.

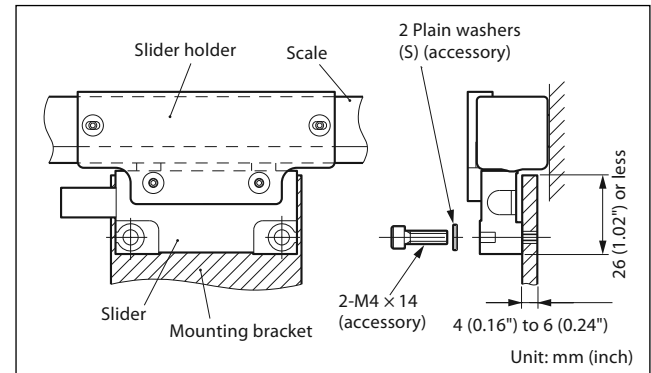


Fig. 3-10

(3) When the bracket is mounted on slider's outer side

Align the mounting bracket with the slider's top surface, and adjust the bracket so that the height from the scale mounting surface is brought to $23 \pm 0.1\text{mm}$ ($0.91'' \pm 0.004''$). Ensure that the shape of the mounting bracket is such that the slider holder can be removed later. As shown in the figure, secure the slider using two cap screws ($M5 \times 25$ hexagon socket head cap screws) and two nuts (for the $M5$ cap screws).

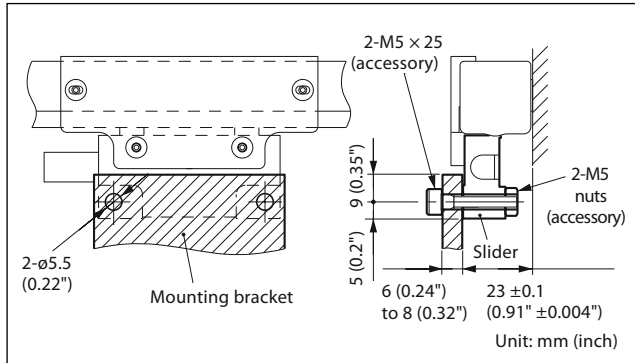


Fig. 3-11

(4) If the slider side tap is used for mounting

Bring the mounting bracket into contact with the side of the slider. Secure the bracket in place in a position where the slider side tap and bracket mounting hole are aligned. Confirm that there is no gap between the slider side surface and the mounting bracket. Then secure in place using a bolt.

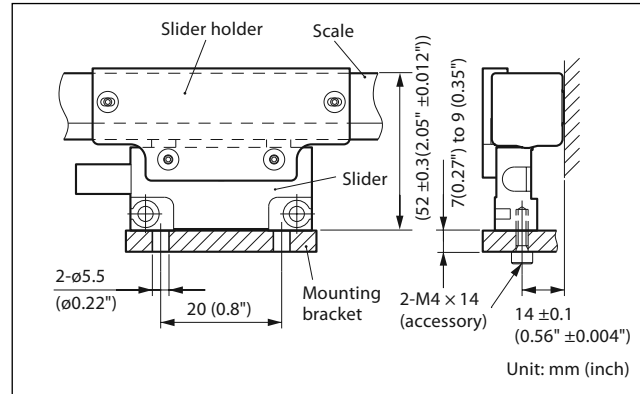


Fig. 3-12

3-4-3. Removal of the slider holder

Remove the four M2.6 mounting screws for the slider holder and then remove the slider holder itself.

After removing the slider holder, once again check for shifting in the mounting position and confirm that the slider is not mounted tilted.

- Be sure to adhere the screening label (accessory) to cover the screw holes after removing the slider holder. If these holes are not plugged, chips, cutting oil or dust may enter and the accuracy of the scale may be deteriorated.

Use a ball-point pen to enter the mounting date and name of the person responsible on the label.

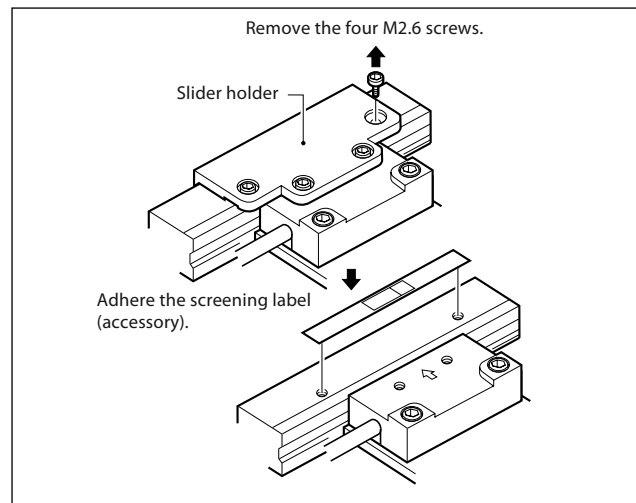


Fig. 3-13 Removal of slider holder

Note

Keep slider holder and four M2.6 screws after the installation.

3-4-4. Checking of the operating range

After mounting the scale and slider, make sure to confirm the measuring length of the scale and that the movement of the machine is within the scale's measuring length. Remember that the scale may be damaged if the machine moves beyond the movable range of the slider (measuring length + leeway).

3-4-5. Mounting of the conduit cable

Fix the conduit cable with cable clamps so that they will not interfere with moving parts of the machine.

Note

Care should be taken at this time as it may be necessary to provide the cable with some leeway with respect to the machine operation.

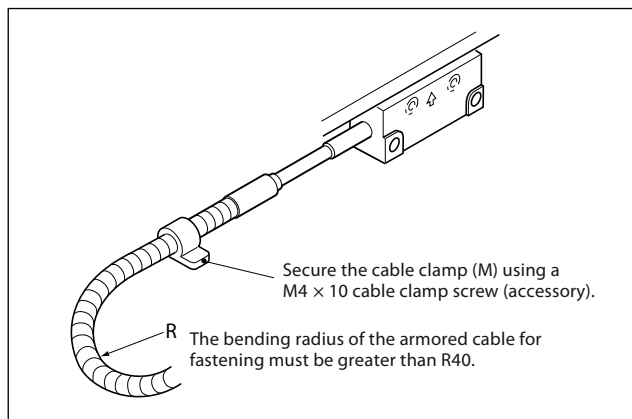


Fig. 3-14

3-4-6. Connection of the head cable to a counter unit

- ① Check that the counter unit power is off. Then, connect the interface unit of the connection cable with the connector 1-3 on the rear panel of counter unit.

Note

Check the scale unit mounting axis and counter unit insertion.

- ② Secure the interface unit using the screws. (Tightening torque: 60 N·cm)

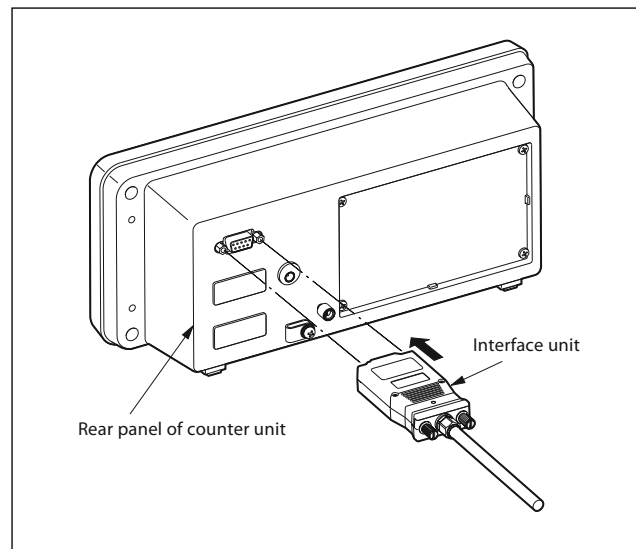


Fig. 3-15

3-4-7. Removal of the scale

When removing a mounted scale from the machine, be sure to secure the slider to the scale with the slider holder. Follow the numerical sequence.

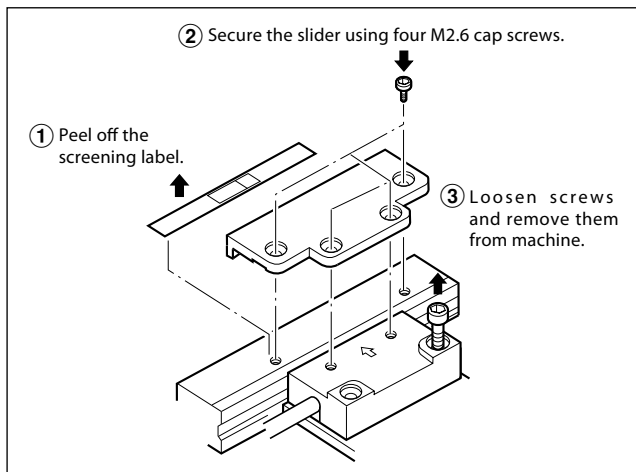


Fig. 3-16

Securing the slider to the scale keeps the alignment of the scale and head after removal from the machine and makes reinstallation easy.

4. Specifications

4-1. General Specifications

Scale unit

Measuring length : 150 (5.9"), 250 (9.8"), 350 (13.7"),
unit : mm (inch) 400 (15.7"), 500 (19.6"), 650 (25.5"),
800 (31.5"), 950 (37.4"),
1050 (41.3"), 1250 (49.2"),
1400 (55.1"), 1600 (62.9")

Overall length : Measuring length + 120 (4.73")
unit : mm (inch)

Maximum travel : Measuring length + 20 (0.78")
unit : mm (inch) (10 (0.39") each at right and left)

Scale accuracy : $\pm 10 \mu\text{m}$
(Measuring length 1250 (49.21") or
(at 20 °C/68 °F) less)
unit : mm (inch) $\pm 15 \mu\text{m}$
(Measuring length 1400 (55.12") or
more)

Cable length : 3 m (9.8 ft) (SJ700A-015 to 080)
5 m (16.4 ft) (SJ700A-095 to 160)

Thermal expansion coefficient :

$(12 \pm 1) \times 10^{-6}/^{\circ}\text{C}$

Temperature

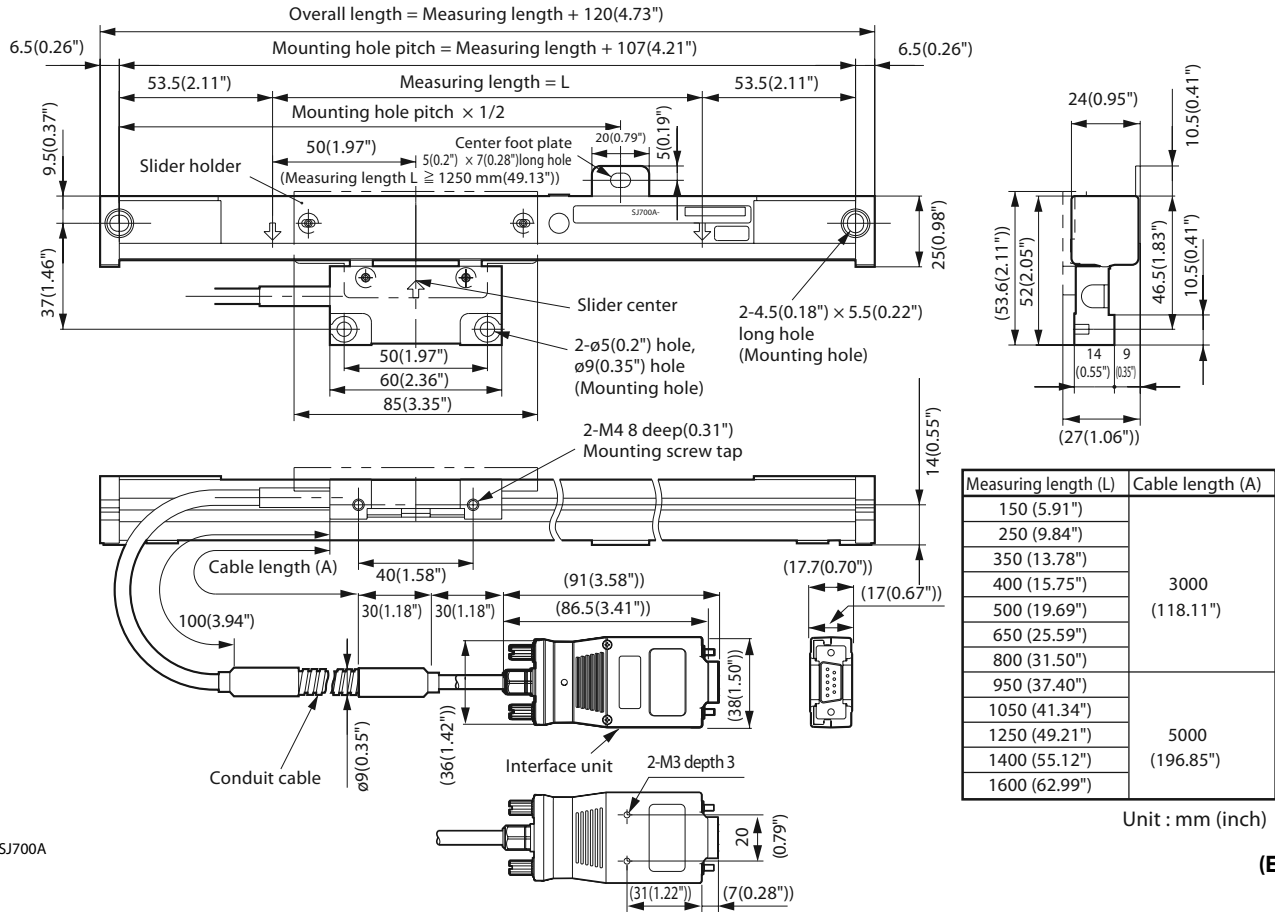
Operating : 0 to +40 °C (+32 to + 104 °F)
Storage : -20 to +60 °C (-4 to + 140 °F)

Humidity

Operating : Condensation allowed
Storage : 90 %

Design and specifications are subject to change without notice.

4-2. Dimensions



SJ700A

5. Trouble Information

- If conditions arise that affect the functioning of the scale, such as overrun, damage to the cable, deformation of the scale unit, etc., repairs are necessary.
 - Immediately stop the machine and contact Magnescale Co., Ltd. or the dealer from whom the unit was purchased.
- The scale unit may not be repairable, depending on the extent of the damage.

Regular cleaning is recommended in order to prevent these types of trouble beforehand.

- Clean away any cutting scraps at the start and finish of work each day to prevent cutting scraps from accumulating around the scale.
- Accumulated cutting scraps may impede the sliding motion of the scale and result in malfunction.
- Avoid using an air gun or similar device to clean away the cutting scraps. Although the running portions of the scale unit are sealed, the scale unit does not have a completely sealed structure. If an air gun or similar device is used, cutting scraps and other objects may enter the sealed portions of the scale and result in malfunction.

Sicherheitsmaßnahmen

Bei dem Entwurf von Magnescale Co., Ltd. Produkten wird größter Wert auf die Sicherheit gelegt. Unsachgemäße Handhabung während des Betriebs oder der Installation ist jedoch gefährlich und kann zu Feuer, elektrischen Schlägen oder anderen Unfällen führen, die schwere Verletzungen oder Tod zur Folge haben können. Darüber hinaus kann falsche Behandlung die Leistung der Maschine verschlechtern.

Beachten Sie daher unbedingt die besonders hervorgehobenen **Vorsichtshinweise** in dieser Bedienungsanleitung, um derartige Unfälle zu verhüten, und lesen Sie die folgenden Sicherheitsmaßnahmen vor der Inbetriebnahme, Installation, Wartung, Inspektion oder Reparatur dieses Gerätes oder der Durchführung anderer Arbeiten durch.

Bedeutung der Warnhinweise

Bei der Durchsicht dieses Handbuchs werden Sie auf die folgenden Hinweise und Symbole stoßen. Machen Sie sich mit ihrer Bedeutung vertraut, bevor Sie den Text lesen.

Warnung

Eine Missachtung dieser Hinweise kann zu Feuer, elektrischen Schlägen oder anderen Unfällen führen, die schwere Verletzungen oder Tod zur Folge haben können.

Vorsicht

Eine Missachtung dieser Hinweise kann zu elektrischen Schlägen oder anderen Unfällen führen, die Verletzungen oder Sachbeschädigung der umliegenden Objekte zur Folge haben können.

Hinweis

Diese Hinweise sollten beachtet werden, um eine korrekte Handhabung des Gerätes zu gewährleisten.

SJ700A

Zu beachtende Symbole



VORSICHT



ELEKTRISCHER
SCHLAG

Symbole, die Handlungen verbieten



NICHT
ZERLEGEN

Symbole, die Handlungen vorschreiben



STECKER ABZIEHEN

Warnung



- Betreiben Sie dieses Gerät nur mit der vorgeschriebenen Versorgungsspannung, da anderenfalls die Gefahr von Feuer oder elektrischen Schlägen besteht.

- Führen Sie Installationsarbeiten nicht mit nassen Händen aus, da hierbei die Gefahr elektrischer Schläge besonders groß ist.



- Unterlassen Sie jeden Versuch, das Gerät zu zerlegen oder umzubauen, da dies zu Verletzungen oder Beschädigung der internen Schaltungen führen kann.

Vorsicht



- Überprüfen Sie vor Arbeitsbeginn unbedingt den Zustand von Maschine und Vorrichtungen, um die Arbeitssicherheit zu gewährleisten.



- Schalten Sie unbedingt die Strom- und Luftversorgung sowie andere Antriebskraftquellen aus, bevor Sie Arbeiten an der Maschine ausführen. Anderenfalls kann es zu Feuer oder Unfällen kommen.



- Achten Sie beim Einschalten der Stromversorgung usw. zum Betrieb der Maschine darauf, dass Sie sich nicht die Finger in peripheren Maschinen und Vorrichtungen klemmen.

Hinweise zur Handhabung

Installationshinweise

Beachten Sie bei der Installation dieses Gerätes die folgenden Punkte, um die Einstreuung von Rauschen und elektromagnetischen Wellen von anderen Geräten zu verhüten.

1. Verlegen Sie Zuleitungskabel und Verbindungskabel nicht zusammen mit Starkstromkabeln.
2. Halten Sie bei der Installation des Gerätes mindestens 0,5 m Abstand von Hochspannungs-, Starkstromquellen oder Hochleistungsrelais.
3. Bringen Sie das Gerät auf keinen Fall in die Nähe von Magneten oder Quellen elektromagnetischer Wellen.

Hinweis

- Magnetische Futter oder andere Magnetkraftquellen von ungefähr $600 \times 10^{-4} \text{ T}$ (600 G) sollten mindestens 50 mm von den Seitenflächen und mindestens 100 mm von den Öffnungen des Stahlgehäuses des Maßstabs entfernt gehalten werden.
- Falls das Gerät in der Nähe von Magnetkraftquellen installiert werden muss, treffen Sie unbedingt angemessene Maßnahmen zum Schutz vor elektromagnetischer Beeinflussung.

Hinweise zum Installationsort

1. Um eine möglichst präzise Positionierung zu erzielen, empfiehlt es sich, den Maßstab möglichst nahe am Werkstück oder zum messenden Objekt einzubauen. (Je weiter der Maßstab vom Werkstück entfernt eingebaut wird, desto größer wird mechanische Fehler.)
2. Verwenden Sie die Maßstabseinheit innerhalb eines Umgebungstemperaturbereiches von 0 bis 40°C. Einbauorte vermeiden, wo der Maßstab direkter Sonneneinstrahlung und Wärmequellen, wie z.B. Motoren, ausgesetzt ist.
3. Nichts auf den angebauten Maßstab legen oder darauf treten: übermäßig starke Einwirkung von Kräften auf den Maßstab erzeugt Störungen.
4. Montieren Sie den Maßstab auf keinen Fall an Stellen, an denen er direkt mit Kühlmittelflüssigkeit oder Kühlsprühnebel in Berührung kommen kann.

■ Allgemeine Vorsichtsmaßnahmen

Beachten Sie bei der Verwendung von Magnescale Co., Ltd. Produkten die folgenden allgemeinen sowie die in dieser Anleitung besonders hervorgehobenen Vorsichtsmaßnahmen, um eine sachgerechte Behandlung der Produkte zu gewährleisten.

- Vergewissern Sie sich vor und während des Betriebs, dass unsere Produkte einwandfrei funktionieren.
- Sorgen Sie für geeignete Sicherheitsmaßnahmen, um im Falle von Gerätestörungen Schäden auszuschließen.
- Wenn das Produkt modifiziert oder nicht seinem Zweck entsprechend verwendet wird, erlischt die Garantie für die angegebenen Funktionen und Leistungsmerkmale.
- Bei Verwendung unserer Produkte zusammen mit Geräten anderer Hersteller werden je nach den Umgebungsbedingungen die in der Anleitung beschriebenen Funktionen und Leistungsmerkmale möglicherweise nicht erreicht.

Inhaltsverzeichnis

1. Umriss	1	4. Technische Daten	18
1-1. Einleitung	1	4-1. Allgemeine Daten	18
1-2. Hauptmerkmale.....	1	4-2. Abmessungen	19
1-3. Anordnung der Teile	1		
1-4. Systemaufbau.....	2		
2. Bezeichnung und Funktion der einzelnen Teile	3		
3. Montagemethode	5	5. Störungsinformation.....	20
3-1. Vorsichtsmaßnahmen bei der Montage.....	5		
3-1-1. Überprüfen der Montagemethode.....	5		
3-1-2. Betriebsbereichs.....	6		
3-1-3. Schutz der Lesekopfanschlusskabels	6		
3-1-4. Anbringen einer Schutzhaube.....	6		
3-2. Die folgenden Teile werden für den Einbau benötigt.....	7		
3-3. Einbauverfahren	8		
3-4. Montageverfahren.....	8		
3-4-1. Einbau des Maßstabs	9		
3-4-2. Anbau des Schiebers	11		
3-4-3. Entfernen des Schieberhalters.....	14		
3-4-4. Kontrolle des Betriebsbereichs	15		
3-4-5. Einbau des Zuleitungskabels.....	15		
3-4-6. Anschluss des Lesekopfkabels an einer Anzeigeeinheit.....	16		
3-4-7. Ausbau des Maßstabs.....	17		

1. Umriss

1-1. Einleitung

Bei den Linearmaßstäbe der Serie SJ700A handelt es sich um halbmodulare Ausführungen mit einem in den Maßstab eingebauten Detektor, bei denen die relativen Positionen von Maßstab und Kopf mithilfe eines Schieberhalters eingestellt und gesichert werden.

Die Geräte der Serie SJ700A können direkt an eine Anzeigeeinheit (Serie LG20, LH70) von Magnescale Co., Ltd. angeschlossen werden.

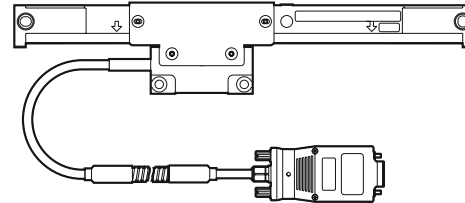
1-2. Hauptmerkmale

- Kompakte Abmessungen und geringes Gewicht
- Einfacher Einbau
- Ausdehnungskoeffizient identisch mit dem von Werkzeugmaschinen
- Außerordentlich widerstandsfähig gegen Öl und Schmutz

SJ700A

1-3. Anordnung der Teile

Maßstabseinheit Maßstab..... 1

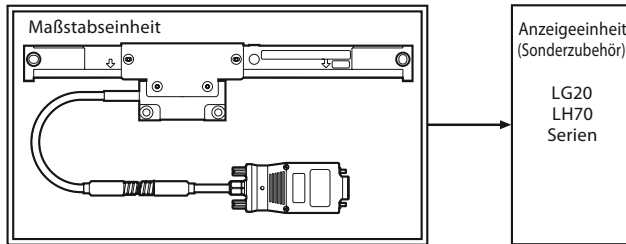


Zubehör

Kabelklemmen..... 4 (Zur Befestigung des Schutzrohrkabels)	
+P 4 × 10..... 4 (Zur Befestigung von Kabeln)	
Distanzstücke..... 5 (Zur Befestigung des Schiebers)	
HSB M4 × 10..... 3 (Zur Befestigung des Maßstabs)	
Blendenaufkleber 1 (Zum Verdecken der Schraubenbohrungen nach dem Entfernen des Schieberhalters)	
HSB M4 × 14..... 2 (Zur Befestigung des Schiebers)	
Unterlegscheiben (S)..... 2 (Zur Befestigung des Schiebers)	
HSB M5 × 25..... 2 (Zur Befestigung des Schiebers)	
Unterlegscheiben (M)..... 3 (Zur Befestigung des Maßstabs)	
Muttern (für M5)..... 2 (Zur Befestigung des Schiebers)	
Bedienungsanleitung..... 1	

1-4. Systemaufbau

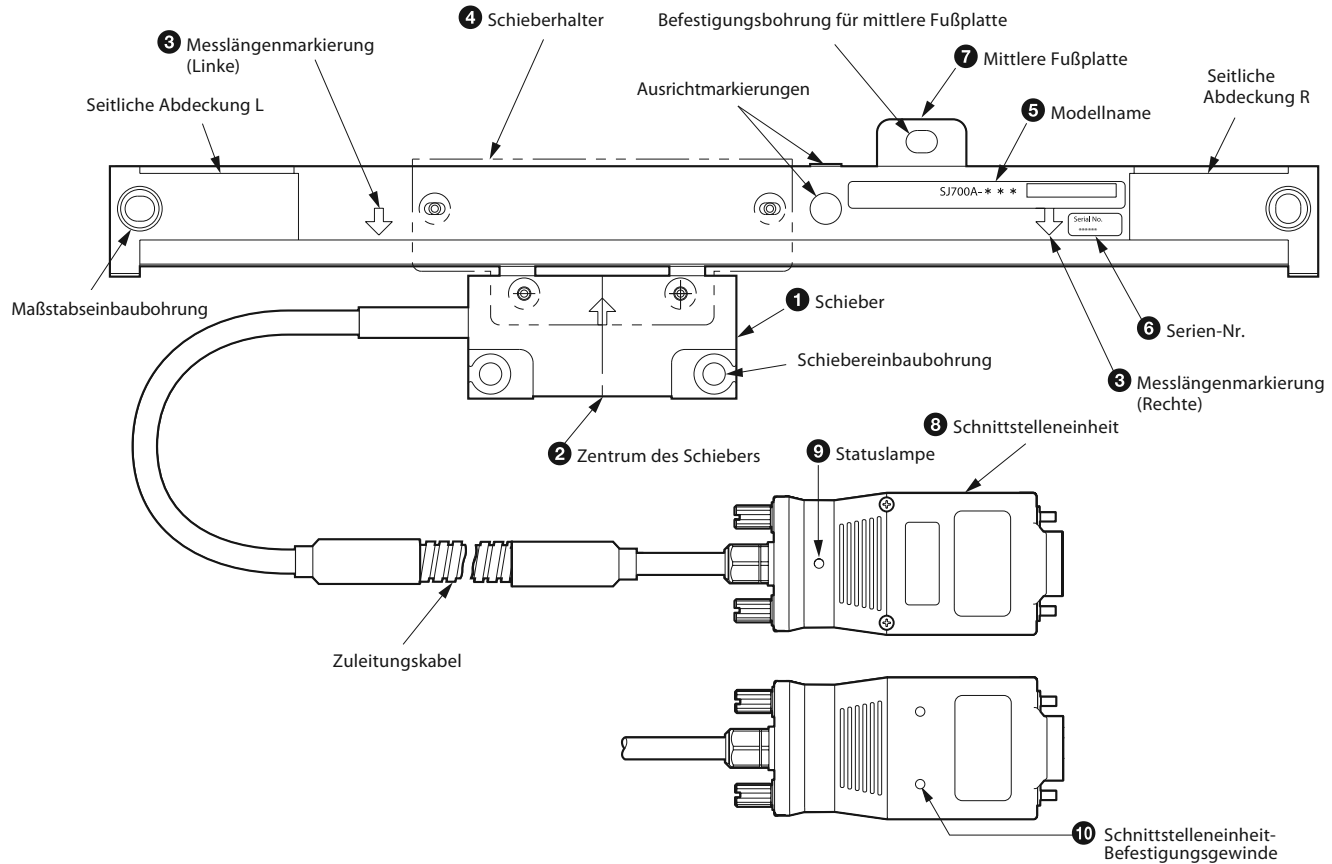
Systemaufbau



Modellreihe

Modellname	Messlänge (L)	Kabellänge
SJ700A-015	150 mm	3000 mm
SJ700A-025	250 mm	
SJ700A-035	350 mm	
SJ700A-040	400 mm	
SJ700A-050	500 mm	
SJ700A-065	650 mm	
SJ700A-080	800 mm	5000 mm
SJ700A-095	950 mm	
SJ700A-105	1050 mm	
SJ700A-125	1250 mm	
SJ700A-140	1400 mm	
SJ700A-160	1600 mm	

2. Bezeichnung und Funktion der einzelnen Teile



1 Schieber

Dieser trägt den Lesekopf. Während des Versands ist er mit dem Schieberhalter gesichert.

2 Zentrum des Schiebers

Diese Markierung kennzeichnet das mechanische Zentrum des Schiebers. Sie dient als Bezugspunkt beim Betrachten der relativen Position mit den Messlängenmarkierungen.

3 Messlängenmarkierungen

Diese kennzeichnen den effektiven Bewegungsbereich in Bezug auf die Mitte des Schiebers, über den Genauigkeit gewährleistet ist.

Hinweis

Bei Einbau und Verwendung des Maßstabs unbedingt sorgfältig darauf achten, dass die Einheit ausschließlich innerhalb dieses Bereichs verfahren wird. Wenn die Maßstabseinheit außerhalb des effektiven Bewegungsbereichs verfahren wird, kann die Einheit beschädigt werden.

4 Schieberhalter

Hiermit wird der Schieber gegenüber dem Maßstabsgehäuse gesichert, und er sollte nach dem Ausbau sorgfältig aufbewahrt werden.

5 Modellname

Diese gibt die Modellname der Maßstabseinheit an.

6 Serien-Nr.

Diese gibt die Serien-Nr. der Maßstabseinheit an.

7 Mittlere Fußplatte

Diese wird eingebaut, wenn die Messlänge 1250 mm oder größer ist und muss beim Einbau der Maßstabseinheit befestigt werden.

8 Schnittstelleneinheit

Diese wird an der Rückwand der Anzeigeeinheit angeschlossen. Die Schnittstelleneinheit enthält einen internen Schaltkreis, der zur optimalen Anpassung elektrisch eingestellt wird.

9 Statuslampe

Diese Lampe dient zur Kontrolle der Signale.

Leuchtet grün : Normaler Zustand

Leuchtet orange: Warnung (Signalpegelabfall)

Leuchtet rot : Fehlerzustand (Signalpegelabfall)

Rot blinkend : Fehlerzustand (Überdrehzahl)

10 Schnittstelleneinheit-Befestigungsgewinde

Die Schnittstelleneinheit kann mit der mitgelieferten Sicherungsplatte und Schraube (M3, Tiefe 3 mm) in Arbeitsstellung befestigt werden.

3. Montagemethode

3-1. Vorsichtsmaßnahmen bei der Montage

3-1-1. Überprüfen der Montagemethode

Vergewissern Sie sich, dass die Maßstabseinheit in der gezeigten Position montiert werden kann (Abb. 3-1).

* Den Maßstab keinesfalls in einer anderen Richtung einbauen, da hierdurch Schwierigkeiten bei der Bedienung und Wartung auftreten können.

(Einbauposition **B** steht nur zur Verfügung wenn den Maßstab geschützt werden kann gegen Öl und Späne.)

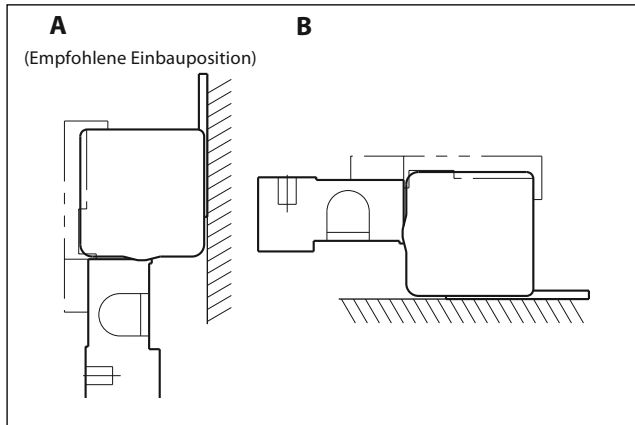


Abb. 3-1 Einbaurichtung des Maßstabs

Wenn der Maßstab vertikal eingebaut werden muss, unbedingt darauf achten, dass der Schieber des Maßstabs auf der dem Werkstück oder Schneidwerkzeug abgewandten Seite angeordnet ist.

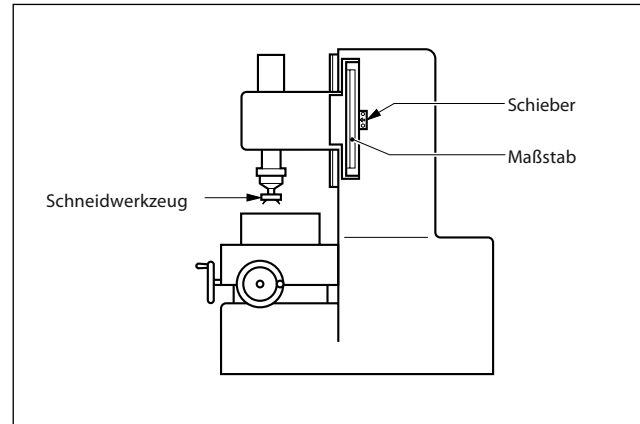


Abb. 3-2 Vertikaler Einbau des Maßstabs

3-1-2. Betriebsbereichs

- Die effektive Messlänge des Maßstabs ist die Entfernung zwischen den beiden Markierungen (\Downarrow) an beiden Enden des Maßstabs.
- Den Maßstab an einer Position anbauen, wo der Bewegungsbereich der Schieber-Mittelposition innerhalb dieser Markierungen bleibt.
- Ein Leerweg (10 mm auf der linken und rechten Seite) ist für die Bewegung des Schiebers vorgesehen. Besonders sorgfältig darauf achten, dass der Schieber nicht über diesen Grenzwert hinaus verfahren wird, da andernfalls der Maßstab beschädigt werden kann.

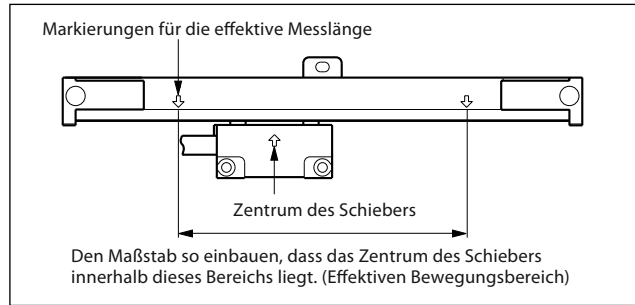


Abb. 3-3 Betriebsbereich

- Mechanische Begrenzungsvorrichtungen (Anschläge, usw.) sind bei solchen Schiebern erforderlich, die sich über den effektiven Bewegungsbereich der Maßstabseinheit hinaus bewegen können. In derartigen Fällen unbedingt darauf achten, dass vor dem Einbau der Maßstabseinheit geeignete Maßnahmen getroffen werden.

3-1-3. Schutz der Lesekopfanschlusskabels

Das Lesekopfanschlusskabels und der Maßstab werden als eine integrierte Einheit geliefert. Sorgfältig darauf achten, dass nicht stark am Kabel gezogen oder dieses häufig geknickt wird, da es hierdurch brechen kann.

3-1-4. Anbringen einer Schutzhaube

Falls der Maßstab so montiert ist, dass er direkt mit Spänen oder Schneidöl in Berührung kommen kann, empfiehlt es sich, eine Schutzhaube wie die in Abb. 3-4 gezeigte anzubringen, die den Maßstab weitgehend vor äußeren Einflüssen schützt. Diese Maßnahme trägt zur Aufrechterhaltung der Leistungsfähigkeit des Maßstabs bei.

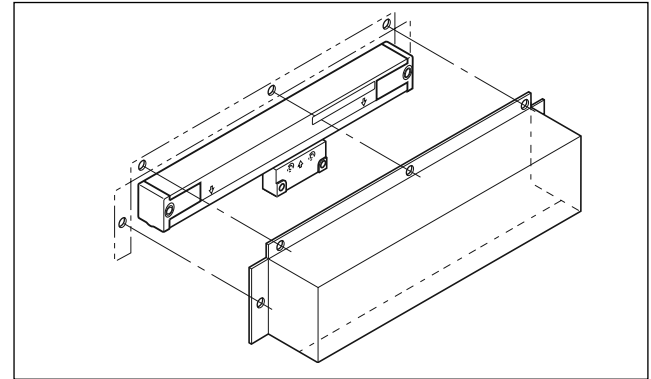


Abb. 3-4 Beispiel für eine Maßstab-Abdeckung

3-2. Die folgenden Teile werden für den Einbau benötigt

Zubehör (mitgeliefert)

Innensechskantschraube	3
M4 × 10 zur Befestigung des Maßstabs (2 Stück für Maßstäbe mit einer Messlänge von weniger als 1250 mm verwenden.)	
Innensechskantschraube	2
M4 × 14 zur Befestigung des Schiebers	
Flachkopfschraube.....	4
M4 × 10 für Kabelklemme	
Unterlegscheibe (M) mit 4 mm Bohrung.....	3
(2 Stück für Maßstäbe mit einer Messlänge von weniger als 1250 mm verwenden.)	
Unterlegscheibe (S) mit 4 mm Bohrung.....	2
zur Befestigung des Schiebers	
Kabelklemme zur Befestigung des Zuleitungskabels (M)	4
Blendenaufkleber	1
Zum Verdecken der Schraubenbohrungen, nachdem der Schieberhalter entfernt wurde	
Innensechskantschraube	2
M5 × 25 zur Befestigung des Schiebers	
Sechskantmutter	2
M5 zur Befestigung des Schiebers	
Abstandsstücke	5
t = 0,1 zur Befestigung des Schiebers	

Werkzeuge und Teile, die der Benutzer sich verschaffen muss.

Halterung zum Einbau des Maßstabs	1 bis 2
(für die Flächen A und B)	
Halterung zum Einbau des Maßstabs	1
(für die Flächen C)	
Tastermessuhr mit Magnetfuß mit einer Messgenauigkeit von 0,01 mm.....	1 bis 2
Schlüssel für M2,6 (2 mm)	1
Schlüssel für M4 (3 mm).....	1
Schlüssel für M5 (4 mm).....	1
Kreuzschlitzschraubendreher für M2,6.....	1
Gewindebohrer M4	1
Bohrer ø3,2 Durchm.	1
Elektrische Bohrmaschine	1
Zwischenlagen, Abstandsstücke	mehrere
Dick = 0,05 bis 0,2 mm	
Kreuzschlitzschraubendreher Nr.2.....	1

Achtung: L = Messlänge
t = Dicke

3-3. Einbauverfahren

Vorsichtsmaßnahmen

Nachfolgend werden die Verfahren beim Einbau der Maßstabseinheit erläutert.

Das einzige Zerlegungsverfahren, das beim Einbau der Maßstabseinheit erforderlich wird, ist der Ausbau des Schieberhalters. (Siehe "3-4-3".) Auf keinen Fall andere Teile zerlegen.

Die Maßstabseinheit besteht aus hochpräzise gefertigten mechanischen und elektromagnetischen Teilen. Übermäßige Kraftanwendung hat daher einen großen Einfluss auf Leistung und Lebensdauer der Einheit. Beim Einbau der Maßstabseinheit ist daher darauf zu achten, niemals übermäßig große Kraft anzuwenden.

Unterlassen Sie das Tragen des Maßstabs am Kopfkabel oder der Schnittstelleneinheit.

3-4. Montageverfahren

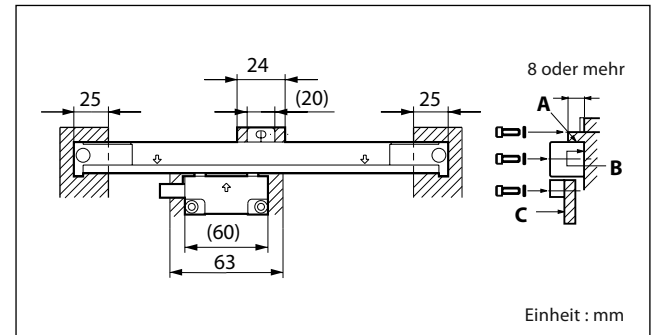


Abb. 3-5 Einbauabmessungen

3-4-1. Einbau des Maßstabs

<1> Wenn die Parallelität und Ebenheit der Maßstab-Einbaufläche bereits zufrieden stellend genau sind

Wenn die Einbaufläche der Maßstabseinheit bereits zufrieden stellend genau ist und ihre Parallelität und Ebenheit die nachfolgend angegebenen Spezifikationen erfüllen, den Maßstab lediglich befestigen. (Für Maßstäbe mit $L < 1250$ mm zwei $M4 \times 10$ Innensechskantschrauben und zwei Unterlagscheiben (M) verwenden. Für Maßstäbe mit $L \geq 1250$ mm drei $M4 \times 10$ Innensechskantschrauben und drei Unterlagscheiben (M) verwenden. Anzugsdrehmoment: 350 N·cm)

Ebenheit der Flächen A, B	
Parallelität der Flächen A, B zur Bewegung des Maschinentisches	innerhalb von 0,15 mm

Den in Abb. 3-5 gezeigten Bereich für die Fläche A vorsehen. Es ist jedoch zu beachten, dass die Bedingungen für die oben angegebenen Toleranzen sind: (i) keine extreme Rauigkeit der Einbauflächen und (ii) keine Hindernisse auf der Einbaufläche zwischen den rechten und linken Fußplatten.

<2> Wenn es sich bei der Einbaufläche um eine Gussfläche handelt

Den Maßstab mit den Einbauhalterungen befestigen

(1) Wenn es sich bei der Einbaufläche um eine Gussfläche handelt und die Parallelität nicht zufrieden stellend ist

Einbauhalterungen verwenden, und diese so justieren, dass die in <1> vorgeschriebenen Spezifikationen erfüllt werden.

Einbauhalterungen werden nur am linken und rechten Fußbereich des Maßstabs benötigt. Sie müssen sich nicht über die ganze Länge des Maßstabs erstrecken. Wenn jedoch die Parallelität des linken und rechten Fußes wegen der Bewegungslänge der montierten Einheit nicht gemessen werden kann, müssen längere Einbauhalterungen angefertigt werden.

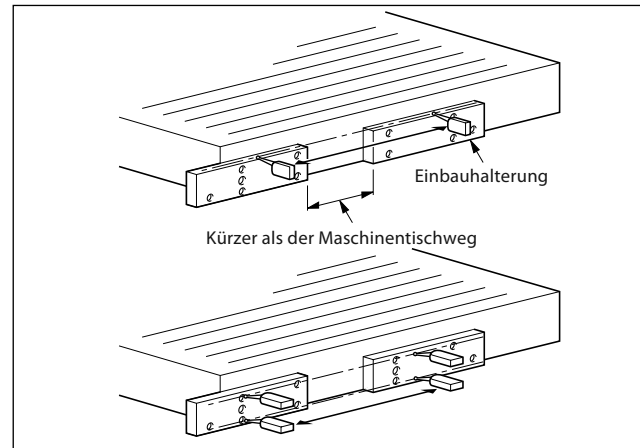


Abb. 3-6 Länge der Einbauhalterungen und Messung Ihrer Parallelität

(2) Kontrolle der Einbauposition und Gewindeschneiden

Prüfen, ob die Parallelität zum Einbau des Maßstabs der Spezifikation entspricht, und dann entsprechend den Abmessungen auf Seite 19 ein Gewinde für M4-Schrauben mit 10 mm Tiefe bohren.

(3) Einbau des Maßstabs

Den Maßstab zunächst provisorisch mit den M4 × 10 Innensechskantschrauben und den Unterlagscheiben (M) befestigen und 30 Minuten unberührt lassen, damit sich der Maßstab der Umgebungstemperatur angleicht. Dann den Maßstab endgültig befestigen.

(4) Messung der Parallelität des Maßstabs zur Bewegung des Maschinentisches

Eine Tastermessuhr direkt an der Stelle ansetzen, wo sich die Ausrichtmarkierung (① in der folgenden Abb. 3-7) an der Seite des Maßstabs befindet, und prüfen, ob der Maßstab einwandfrei parallel zur Bewegung des Maschinentisches eingebaut ist.

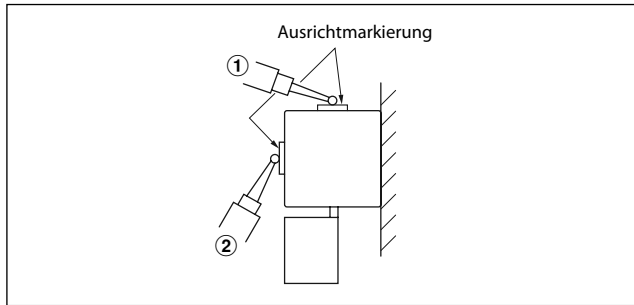


Abb. 3-7 Prüfung der Parallelität zwischen Maßstab und Maschinentischbewegung

Die Messuhr auf das jeden Ausrichtmarkierung setzen, um die Parallelität zu messen und den Unterschied in das Ablesen zwischen die zwei Ausrichtmarkierungen zu innerhalb von 0,15 mm ausrichten:

Bei den Maßstäbe mit einer Messlänge von 1250 mm oder größer, die Parallelität zwischen die Ausrichtmarkierung und den Ausrichtmarkierungen an beiden Seiten zu innerhalb von 0,15 mm ausrichten.

Hinweis

Da auf Maßstäbe mit einer Messlänge von 250 mm oder weniger keine Ausrichtmarkierungen vorhanden sind, die Tastermessuhr direkt auf die Maßstabseinheit setzen und prüfen, ob die Abweichung an den beiden Enden des Maschinenweges innerhalb von 0,15 mm liegt.

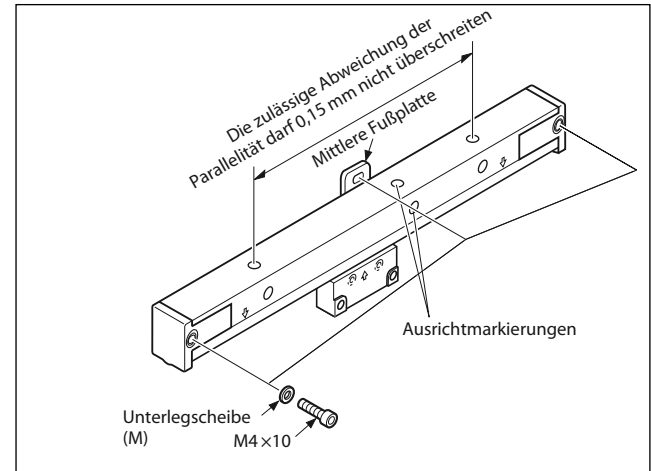


Abb. 3-8 Kontrolle der Parallelität anhand der Ausrichtmarkierungen
SJ700A

(5) Wenn die vorgeschriebene Parallelität der Maßstab-Anbauhalterung nicht erzielt werden kann

Distanzstücke unter die Füße legen, um die Parallelität für die Maßstab-Anbauhalterungen zu erzielen.

Die Meßuhr auf das jeden Ausrichtmarkierung setzen, wie in ② in Abb. 3-7, um die Parallelität zu messen und den Unterschied in das Ablesen zwischen die Ausrichtmarkierungen zu innerhalb von 0,15 mm ausrichten. Bei Maßstäbe mit einer mittleren Fußplatte (Messlänge 1250 bis 1600 mm) muss sichergestellt werden, dass die Parallelität in der Nähe dieser Fußplatte ebenfalls 0,15 mm nicht überschreitet.

3-4-2. Anbau des Schiebers

(1) Wenn die Parallelität und Ebenheit der Anbaufläche bereits zufrieden stellend genau sind

Wenn die Anbaufläche bearbeitet ist und ihre Parallelität und Ebenheit die nachfolgend angegebenen Spezifikationen erfüllen, den schieber lediglich mit zwei M4 × 14 Innensechskantschrauben und zwei Unterlagscheiben (S) anbauen.

Die Einbaumaße hängen von dem Abstand zwischen den Flächen **B** und **C** ab.

Ebenheit der Fläche C	innerhalb von 0,1 mm
Parallelität der Fläche C zur Bewegung des Maschinentisches	0,1 mm/60 mm
Parallelität der Flächen B und C	
Abstand zwischen den Flächen B und C	8,7 bis 8,9 mm
	9 mm ±0,1 mm

• **Bei Einstellung des Abstands zwischen den Flächen B und C auf einen Wert zwischen 8,7 und 8,9 mm**

Den Maschinentisch verfahren, bis die Anbaufläche unmittelbar am Schieber liegt. Zunächst die mitgelieferten Distanzstücke verwenden, um den Spalt zwischen der Anbaufläche und dem Schieber auszufüllen, und dann den Schieber befestigen. Dann die Schrauben entfernen, mit denen der Schieberhalter befestigt ist. Falls der Spalt noch immer nicht ausgefüllt ist, den Spalt zwischen den Flächen **B** und **C** überprüfen und nötigenfalls Korrekturen vornehmen.

• **Bei Einstellung des Spalts zwischen den Flächen B und C auf $9 \pm 0,1$ mm**

Die zwei Schrauben, mit denen Maßstab und Schieberhalter befestigt sind, lösen, und den Schieber von Hand bewegen, um ihn auf die Halterungen auszurichten. Den Schieber an der Position sichern, an welcher der vorstehende Teil (D) des Schieberhalters mit dem Maßstab in Berührung kommt. Dann den Schieberhalter vom Schieber entfernen.

Hinweis

Falls versucht wird, die Halterungsseite zu bewegen, während der Schieberhalter angebracht ist, können die Halterungen gegen den Schieber schlagen. Daher darf nur die Schieberseite bewegt werden.

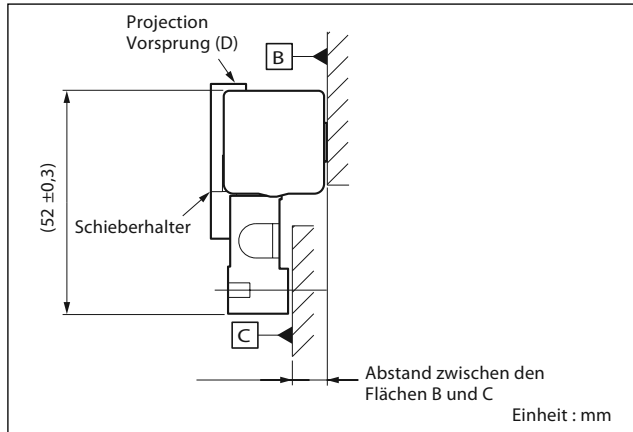


Abb. 3-9

(2) **Wenn die Schieber einbaufäche nicht bearbeitet ist**

Wenn die Einbaufäche der Maschine eine Gussfläche ist Beim Einbau des Schiebers auf eine Gussfläche der Maschine, eine Einbauhalterung verwenden. Eine Einbauhalterung auf die Unterseite des Schiebers stellen, ohne die Schrauben zu lösen, mit denen der Schieberhalter befestigt ist. Die Höhe der Einbauhalterung gegenüber dem Schieber justieren und mit den mitgelieferten M4 × 14 Bolzen befestigen.

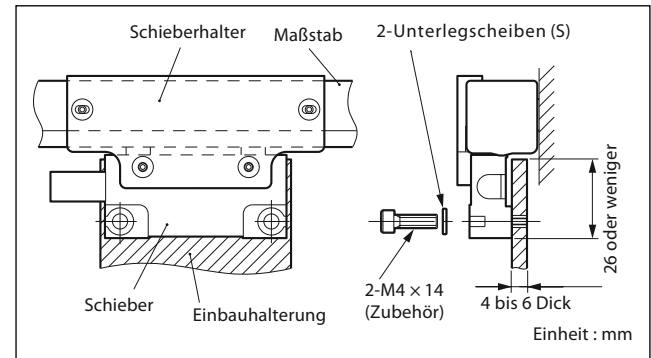


Abb. 3-10

(3) Wenn die Halterung an der Schieberaußenseite befestigt ist

Die Einbauhalterung auf die Oberfläche des Schiebers ausrichten und die Halterung so justieren, dass die Höhe von der Maßstab-Einbaufäche auf $23 \pm 0,1$ mm gebracht wird. Stellen Sie sicher, dass die Form der Einbauhalterung ein späteres Entfernen des Schieberhalters gestattet. Wie in der Abbildung gezeigt, den Schieber mit den beiden Bolzen (M5 \times 25-Innensechskantschrauben) und zwei Muttern (passend zu den beiden M5-Schrauben) befestigen.

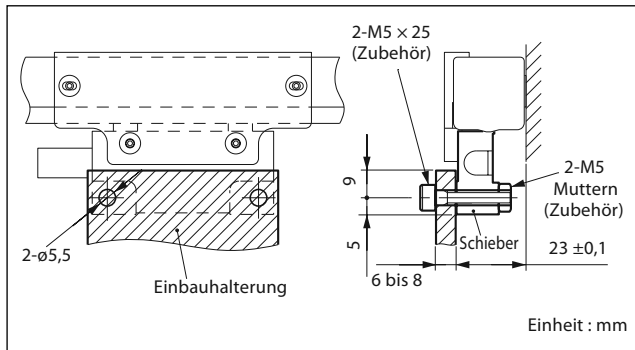


Abb. 3-11

(4) Bei Verwendung der Gewindebohrung auf der Schieberseite für die Montage

Die Einbauhalterung mit der Seite des Schiebers in Berührung bringen. Die Halterung in einer Position sichern, in der die Gewindebohrung auf der Schieberseite und die Montagebohrung der Halterung gefluchtet sind. Sicherstellen, dass kein Spalt zwischen der Fläche auf der Schieberseite und der Einbauhalterung vorhanden ist. Dann die Teile mit einer Schraube befestigen.

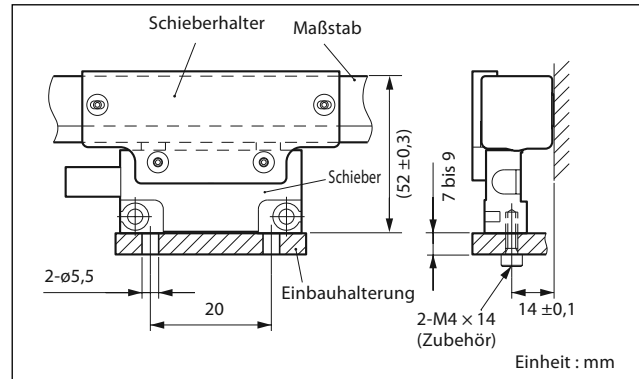


Abb. 3-12

3-4-3. Entfernen des Schieberhalters

Die vier M2,6-Befestigungsschrauben des Schieberhalters entfernen und den Schieberhalter selbst abnehmen.

Nach dem Entfernen des Schieberhalters noch einmal sicherstellen, dass sich die Einbauposition nicht verschoben hat und der Schieber nicht schräg montiert ist.

- Unbedingt daran denken, die Blendenaufkleber (Zubehör) zum Verdecken der Schraubenbohrungen aufzukleben, nachdem der Schieberhalter entfernt wurde. Wenn diese Bohrungen nicht verschlossen werden, können sich hier Späne, Schneidöl oder Staub festsetzen und sich dadurch die Genauigkeit des Maßstabs verändern. Einen Kugelschreiber verwenden und das Datum des Einbaus und den Namen des Verantwortlichen auf dem Blendenaufkleber vermerken.

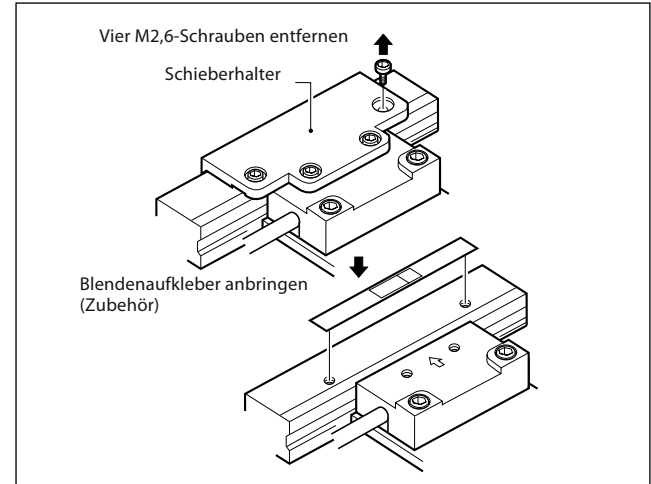


Abb. 3-13 Entfernen des Schieberhalters

Hinweis

Den Schieberhalter und die vier M2,6-Schrauben nach dem Ausbau aufbewahren.

3-4-4. Kontrolle des Betriebsbereichs

Nach dem Einbau von Maßstab und Schieber die Messlänge des Maßstabs überprüfen und sicherstellen, dass der Verfahrweg der Maschine innerhalb der Messlänge des Maßstabs liegt. Unbedingt beachten, dass der Maßstab beschädigt werden kann, wenn der Maschinenweg den Bewegungsbereich des Schiebers (Messlänge + Leerweg) überschreitet.

3-4-5. Einbau des Zuleitungskabels

Das Zuleitungskabel mit den Kabelklemmen so befestigen, dass es nicht mit beweglichen Teilen der Maschine in Berührung kommt.

Hinweis

Zu diesem Zeitpunkt ist besondere Sorgfalt geboten, da es erforderlich sein kann, das Kabel etwas durchhängen zu lassen, falls dies durch den Betrieb der Maschine erforderlich sein sollte.

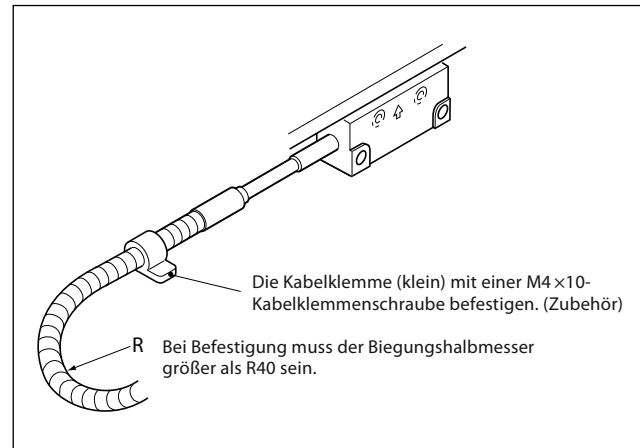


Abb. 3-14

3-4-6. Anschluss des Lesekopfkabels an einer Anzeigeeinheit

- ① Nachprüfen, dass die Stromversorgung der Anzeigeeinheit ausgeschaltet ist. Dann die Schnittstelleneinheit des Anschlusskabels an die Buchse 1-3 an der Rückwand der Anzeigeeinheit anschließen.

Hinweis

Die Einbauachse der Maßstabseinheit und den Anschlusszustand der Anzeigeeinheit erneut prüfen.

- ② Die Schnittstelleneinheit mit den Schrauben befestigen. (Anzugsdrehmoment: 60 N·cm)

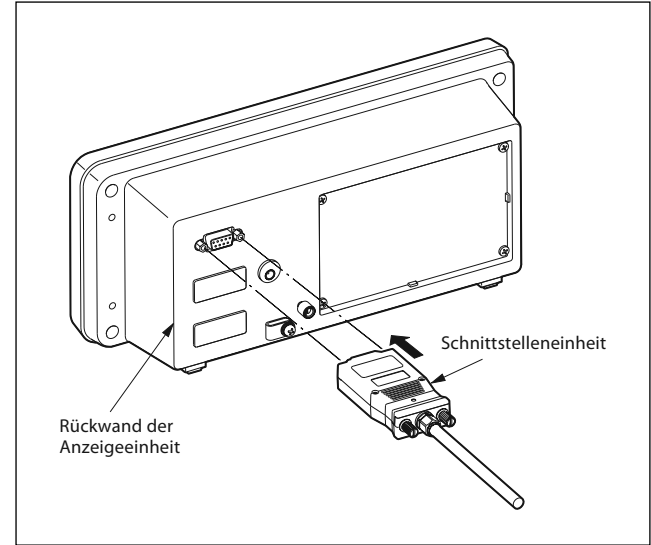


Abb. 3-15

3-4-7. Ausbau des Maßstabs

Wenn ein Maßstab, der in eine Maschine eingebaut worden ist, wieder entfernt werden soll, unbedingt darauf achten, den Schieber mit dem Schieberhalter am Maßstab zu sichern. Hierbei ist der Reihenfolge beim Ausbau zu folgen.

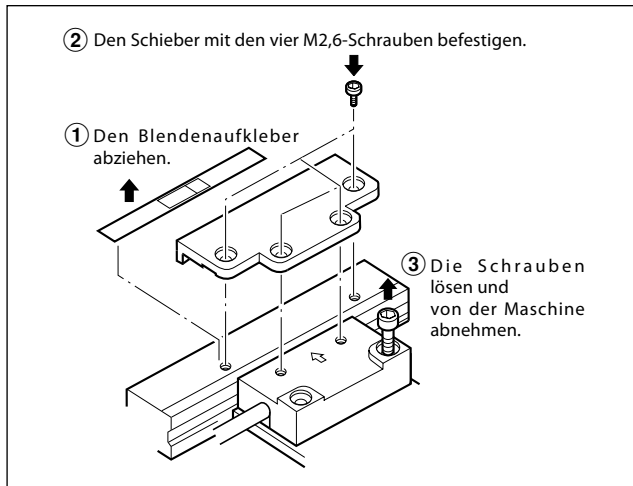


Abb. 3-16 Ausbau des Maßstabs

Den Schieber wie gezeigt am Maßstab befestigen und die Ausrichtung von Maßstab und Lesekopf in denselben Zustand zurückversetzen wie vor dem Einbau. Hierdurch wird ein späterer erneuter Einbau erleichtert.

4. Technische Daten

4-1. Allgemeine Daten

Maßstabseinheit

Messlänge : 150, 250, 350, 400, 500, 650, 800,
950, 1050, 1250, 1400, 1600 mm

Gesamtlänge : Messlänge + 120 mm

Max. Verfahrensweg : Messlänge + 20 mm
(10 mm an beiden Enden)

Messgenauigkeit : $\pm 10 \mu\text{m}$
(bei 20 °C) (Messlänge 1250 oder weniger)
 $\pm 15 \mu\text{m}$
(Messlänge 1400 oder weniger)

Kabellänge : 3 m (SJ700A-015 bis 080)
5 m (SJ700A-095 bis 160)

Wärmeausdehnungskoeffizient :
 $(12 \pm 1) \times 10^{-6} / ^\circ\text{C}$

Temperatur

Zum Betrieb : 0 bis + 40 °C

Zum Lagern : -20 bis + 60 °C

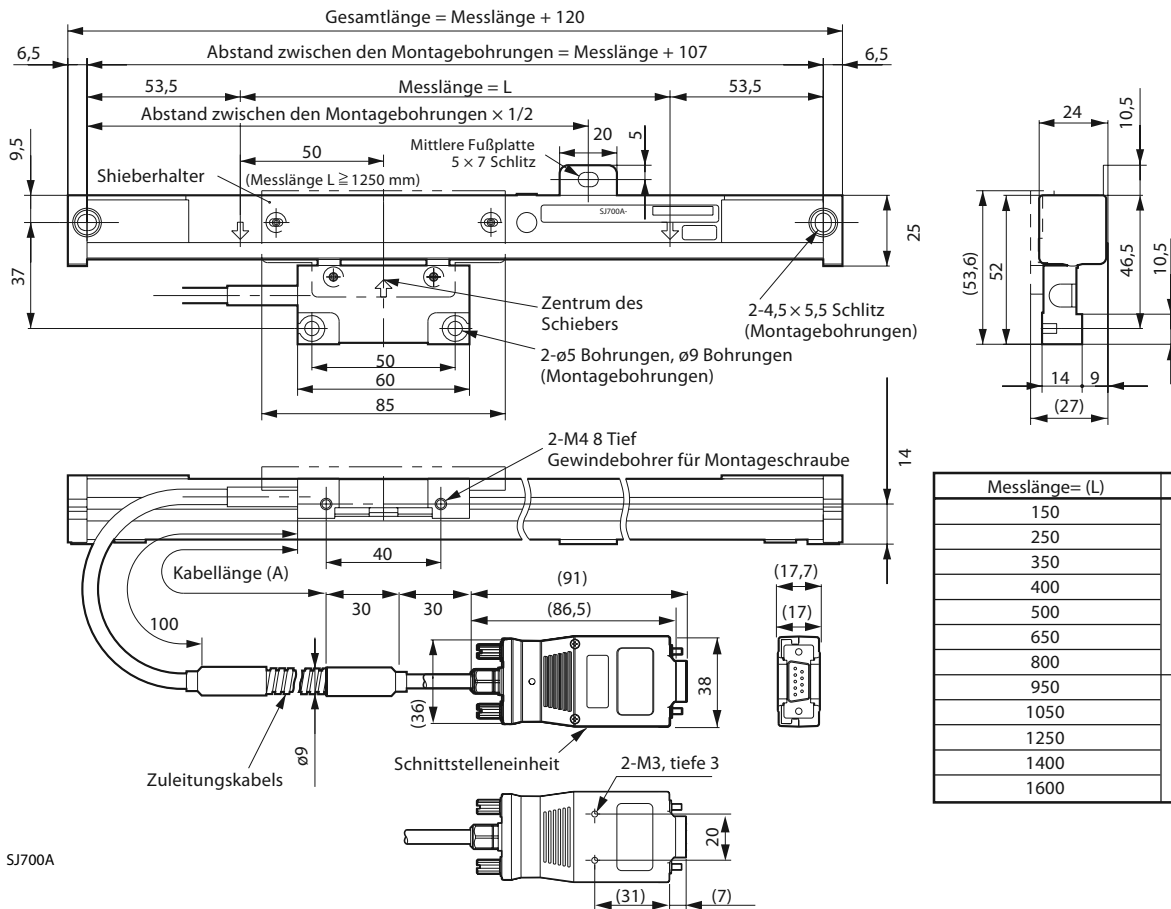
Feuchtigkeit

Zum Betrieb : Kondensation erlaubt

Zum Lagern : 90 %

Bei technischen Daten und Außenansicht des Produkts sind im Interesse von Verbesserungen Änderungen vorbehalten.

4-2. Abmessungen



Messlänge= (L)	Kabellänge (A)
150	3000
250	
350	
400	
500	
650	5000
800	
950	
1050	
1250	
1400	
1600	

Einheit : mm

5. Störungsinformation

- Falls Situationen eintreten, die das Funktionieren des Maßstabs beeinträchtigen, z.B. Überlauf, Beschädigung des Kabels, Verformung der Maßstabseinheit usw., sind Reparaturen notwendig.
 - Stellen Sie sofort die Maschine ab, und wenden Sie sich an Magnescale Co., Ltd. oder den Händler, bei dem Sie die Einheit gekauft haben.
- Abhängig von der Art der Beschädigung kann es gegebenenfalls unmöglich sein, die Maßstabseinheit wieder in Stand zu setzen.

Wir empfehlen eine regelmäßige Reinigung, um derartige Störungen von vornherein zu vermeiden.

- Um zu vermeiden, dass sich Späne im Bereich der Maßstabseinheit ansammeln, müssen diese täglich vor und nach Arbeitsbeginn entfernt werden.
- Wenn sich Späne angesammelt haben, kann dies die Verstellbewegungen der Maßstabseinheit behindern und zu einer Fehlfunktion führen.
- Keinesfalls eine Druckluftpistole oder ein ähnliches Gerät verwenden, um Späne zu beseitigen. Obwohl die gleitenden Teile der Maßstabseinheit versiegelt sind, ist die Maßstabseinheit doch nicht vollständig dicht. Wenn eine Druckluftpistole oder ein ähnliches Gerät verwendet wird, können Späne oder andere Fremdkörper in den versiegelten Teil der Maßstabseinheit gepresst werden und Fehlfunktionen hervorrufen.

安全预防措施

Magnescale Co., Ltd. 产品是经周密的安全性考虑而设计的。然而，在运行或安装时不恰当的操作仍是危险的，它可能会引起火灾、触电而导致死亡、重伤等人身事故。另外，这些操作也可能损坏机器的性能。

因此，为了防止上述意外发生，请务必遵守安全注意事项，在对本装置进行操作、安装、维修、检查、修理等工作之前，请仔细阅读本“安全预防措施”。

警告标志的意义

本手册中使用下面的标志，在阅读正文之前请先理解它们的含义。



警告

如果不遵守该标志处的注意事项，可能会引起火灾、触电而导致死亡、重伤等人身事故。



注意

如果不遵守该标志处的注意事项，可能会引起触电或其它事故而导致受伤、损坏周围事物等各种意外。

注意

这是为了正确使用设备应注意的事项。

提醒注意的记号



小心



小心触电

禁止行为的记号



禁止拆卸

指定行为的记号



拔下插头

⚠ 警告



- 不要使用所示电源电压以外的电压。有可能因此导致火灾或触电。

- 不要用潮湿的手进行安装操作，有可能因此导致触电。



- 不要拆卸和改造本装置，有可能因此导致人身伤害，还有可能损坏内部线路。

⚠ 注意



- 开始安装操作之前，请确认机床和装置的状态以确保安全操作。



- 请务必断开电源、气源等驱动源后进行安装操作，否则有可能因此导致火灾或事故。



- 接通电源等开始运转时，请格外注意不要被周围的机床和装置夹到手指。

安装须知

设置须知

为了防止其它设备的噪声、电磁波障碍等，在设置本直线标尺时应注意下面几点。

1. 铅包电缆及连接电缆不要与动力线通过同一个导管。
2. 必须与高电压源、大电流源及大功率继电器保持 0.5 m 以上的设置距离。
3. 切勿接近各种磁铁、电磁波发生源。

注意

- 接近电磁卡盘等 $600 \times 10^{-4} \text{ T}$ (600G) 左右的磁力源时，应离开直线标尺器的铁制机壳侧面 100 mm 以上，离开防尘嘴面 50 mm 以上。
- 如果不得不接近的话，请采取充分的磁屏蔽措施后使用。

安装场所须知

1. 直线标尺应尽量安装于机械的工件、测定物近旁。
(直线标尺的安装位置距离工件越远，机械误差就越会被放大显示。)
2. 请在环境温度 $0 \sim 40^{\circ}\text{C}$ 的范围内使用本产品。不要安装在阳光直射的地方或附近有电机等热源的地方。
3. 切勿给安装好的直线标尺强行施加压力，诸如在直线标尺器上搁放物品，操作员将胳膊支在或脚搁在直线标尺器上。
4. 切勿将直线标尺装在直线标尺会直接接触冷却剂液体或雾状冷却剂的地方。

■ 通用的注意事项

为了确保正确地使用本公司产品，请遵守下述通用的注意事项。有关使用时的各种详细注意事项，请遵照本使用说明书中记载的诸事项及提醒您注意的说明事项。

- 在使用和操作之前，请先确认本产品的功能及其性能是否正常，然后开始使用。
- 为防止本产品意外发生故障时造成各种损坏，使用前请实施充分的安全保证措施。
- 请注意，在规格范围外使用本产品以及使用经过改造的本产品时，无法保证其功能和性能正常。
- 将本产品与其它设备组合使用时，根据使用条件、环境等的不同，可能无法实现本产品应有的功能和性能。请充分调查兼容性后使用。

1. 概要.....	1	4. 主要规格.....	18
1-1. 序言.....	1	4-1. 一般规格.....	18
1-2. 主要特点.....	1	4-2. 外形尺寸图.....	19
1-3. 部件构成.....	1		
1-4. 系统构成.....	2	5. 故障信息.....	20
2. 各部分的名称和作用.....	3		
3. 安装方法.....	5		
3-1. 安装须知.....	5		
3-1-1. 确认安装方向.....	5		
3-1-2. 设定可动范围.....	6		
3-1-3. 对读数头电缆的保护.....	6		
3-1-4. 安装直线标尺罩.....	6		
3-2. 安装所需的工具和用具.....	7		
3-3. 安装步骤.....	8		
3-4. 安装尺寸.....	8		
3-4-1. 安装直线标尺.....	9		
3-4-2. 安装滑块.....	11		
3-4-3. 拆卸滑块架.....	14		
3-4-4. 确认可动范围.....	15		
3-4-5. 安装导管电缆.....	15		
3-4-6. 将读数头电缆连接至计数器.....	16		
3-4-7. 拆卸直线标尺时.....	17		



中文

1. 概要

1-1. 序言

SJ700A 系列直线标尺为在直线标尺内装有检测器的半模块型，用滑块架调整和固定直线标尺和读数头的相对位置。可将 SJ700A 系列与本公司生产的计数器 (LG20、LH70 系列) 连接。

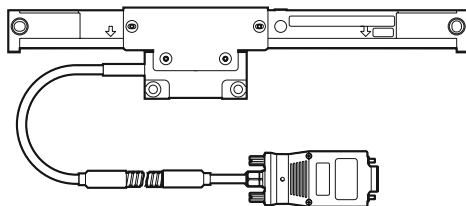
1-2. 主要特点

- 小型轻量
- 安装简便
- 温度膨胀系数与机械相同
- 具有很高的抗油性和抗尘性

SJ700A

1-3. 部件构成

直线标尺器 直线标尺..... 1

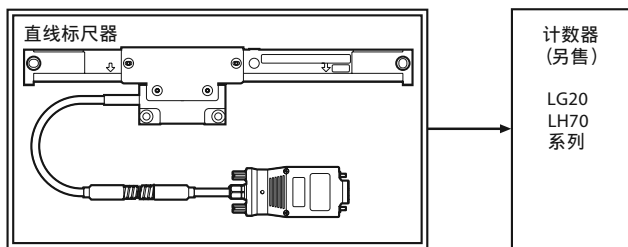


附件

电缆夹.....	4	
(用于固定导管电缆)		
+P4 × 10.....	4	
(用于固定电线)		
隔板.....	5	
(用于固定滑块)		
HSB M4 × 10.....	3	
(用于固定直线标尺)		
遮蔽用标签.....	1	
(用于拆下滑块架时遮盖螺钉孔)		
HSB M4 × 14.....	2	
(用于固定滑块)		
平垫圈 (S).....	2	
(用于固定滑块)		
HSB M5 × 25.....	2	
(用于固定滑块)		
平垫圈 (M).....	3	
(用于固定直线标尺)		
螺母 (M5 用).....	2	
(用于固定滑块)		
使用说明书.....	1	

1-4. 系统构成

系统构成

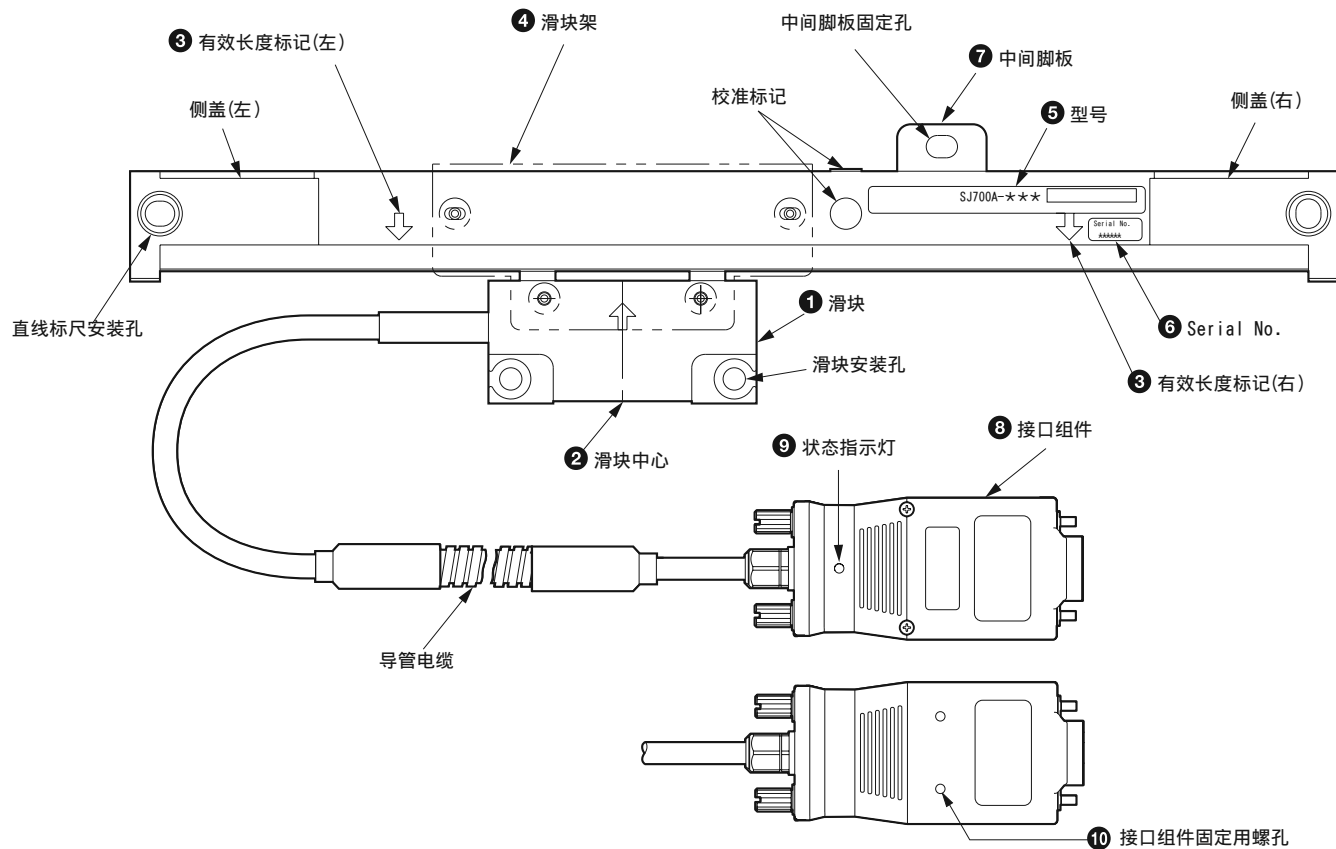


机种构成

单位：mm

型号	有效长度	电缆长度
SJ700A-015	150	3000
SJ700A-025	250	
SJ700A-035	350	
SJ700A-040	400	
SJ700A-050	500	
SJ700A-065	650	
SJ700A-080	800	
SJ700A-095	950	5000
SJ700A-105	1050	
SJ700A-125	1250	
SJ700A-140	1400	
SJ700A-160	1600	

2. 各部分的名称和作用



❶ 滑块

保持读数头。出厂时用滑块架固定着。

❷ 滑块中心

表示滑块的机械中心。可作为确认与有效长度标记的相对位置的标准。

❸ 有效长度标记

此标记指示相对于滑块中心，能保证精度的有效可动范围。

注意

安装及使用直线标尺器时，请在此范围内活动。超过有效可动范围地使用会损坏本产品。

❹ 滑块架

用于固定直线标尺和滑块，拆下后请妥善保管。

❺ 型号

标有本产品的型号。

❻ Serial No.

标有本产品的 Serial No.

❼ 中间脚板

有效长度在 1250 mm 以上的装有中间脚板。安装直线标尺器时这一部分也应固定。

❽ 接口组件

连接至计数器的后面。
装有电气调整到最优的内部线路。

❾ 状态指示灯

是用于确认信号的指示灯。

绿色亮灯：正常

橙色亮灯：警告（信号电平下降）

红色亮灯：错误（信号电平下降）

红色闪烁：错误（超速）

❿ 接口组件固定用螺孔

固定接口组件时，可用附带的固定板和螺钉固定。（M3 深度 3 mm）

3. 安装方法

3-1. 安装须知

3-1-1. 确认安装方向

请确认本直线标尺器安装成如图 3-1 所示的位置关系。

* 其它的安装方向不利于维修和维护，请勿采用。

(仅限于在没有切削液和切屑侵入的情况下可按 B 所示的方向安装。(参见“3-1-4”))

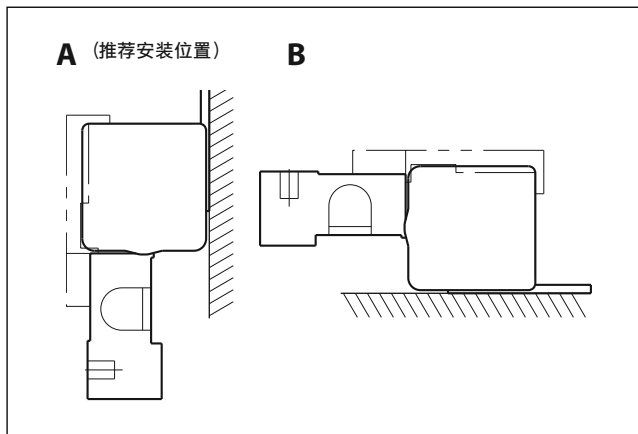


图 3-1 直线标尺的安装方向

垂直安装直线标尺时，请务必将直线标尺滑块安装在工件或加工刀具的相反侧。

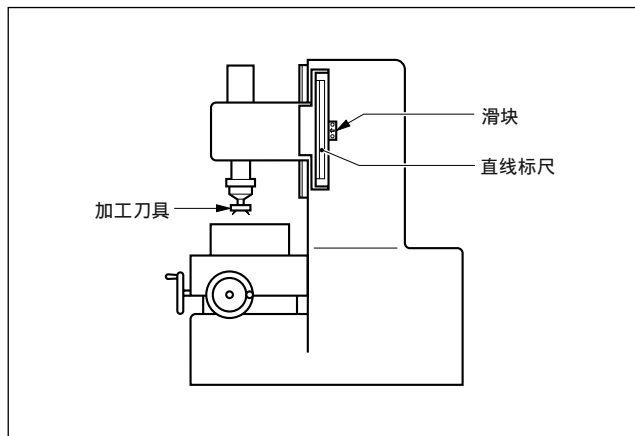


图 3-2 垂直安装直线标尺

3-1-2. 设定可动范围

- 直线标尺的有效长度是直线标尺两端处的有效长度标记(∇)之间的距离。
- 将直线标尺安装在滑块中心能在这些有效长度标记之间移动的位置。
- 直线标尺器虽有可动余量(左右各 10 mm), 但滑块的移动如果超过这一限度会损坏直线标尺, 请予以注意。

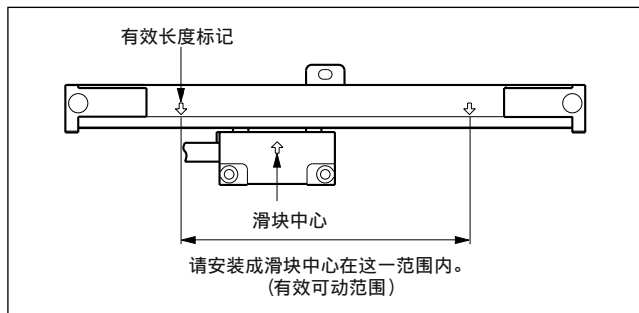


图 3-3 可动范围

- 超过直线标尺器的有效可动范围的滑块需要有机件性限制机构(止动器等)。请务必采取此类措施后再安装直线标尺器。

3-1-3. 对读数头电缆的保护

读数头电缆和直线标尺是单个集成组件。强行拉扯或反复弯折读数头电缆会有断线的危险。请予以注意。

3-1-4. 安装直线标尺罩

如果直线标尺被安装在可能会直接接触切屑或切削油的地方, 则推荐安装如图 3-4 所示的直线标尺罩, 以便尽可能不使直线标尺暴露在外。这有助于维持直线标尺的性能。

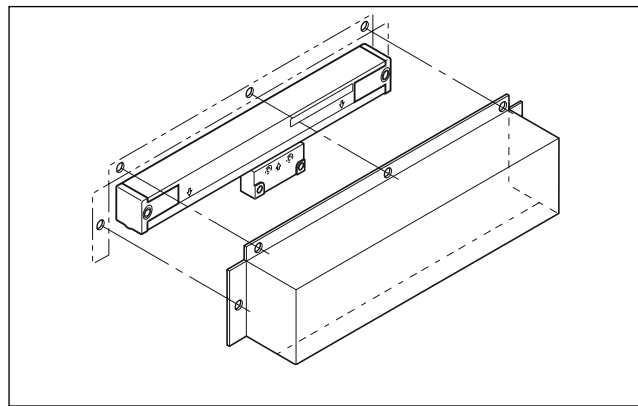


图 3-4 直线标尺罩的安装示例

3-2. 安装所需的工具和用具

附件一套

内六角螺栓图	3
M4 × 10 直线标尺安装用 (对于有效长度小于 1250 mm 的直线标尺,使用 2 根。)	
内六角螺栓	2
M4 × 14 滑块安装用	
小螺钉	4
M4 × 10 电缆夹用	
平垫圈 (M)	3
带有 4 mm 直径的孔 (对于有效长度小于 1250 mm 的直线标尺,使用 2 个。)	
平垫圈 (S)	2
带有 4 mm 直径的孔, 滑块安装用	
电缆夹 (M) 导管电缆安装用	4
遮蔽用标签	1
用于滑块架拆下后遮蔽螺钉孔	
内六角螺栓	2
M5 × 25 滑块安装用	
六角螺母	2
M5 滑块安装用	
隔板	5
t = 0.1 滑块安装用	

除附件外请准备下列工具和用具。

直线标尺安装用托架 (A、B 面用)	1 至 2
滑块安装用托架 (C 面用)	1
拥有磁性座的千分表能读取 0.01 mm	1 至 2
L 扳手 M2.6 用 (对边 2 mm)	1
L 扳手 M4 用 (对边 3 mm)	1
L 扳手 M5 用 (对边 4 mm)	1
M2.6 用螺丝刀	1
螺丝攻 M4	1
钻头 ϕ 3.2	1
电动钻	1
衬垫、隔板 t = 0.05 至 0.2 mm	少许
螺丝刀 2 号	1

注意: L= 有效长度

t = 厚度

3-3. 安装步骤

注意事项

安装直线标尺器的步骤如下所述。

对于直线标尺器，在安装过程中唯一的拆卸操作是拆下滑块架。(参见“3-4-3”。)请勿拆卸其它部分。

直线标尺器含有精密的机械和电磁元件，过分施力会极大地影响本机的性能和使用寿命。所以安装直线标尺器时请注意不要过分施力。

另外，携带本机时应同时抓住直线标尺和滑块。请注意不要通过抓住读数头电缆或接口组件来携带直线标尺。

3-4. 安装尺寸

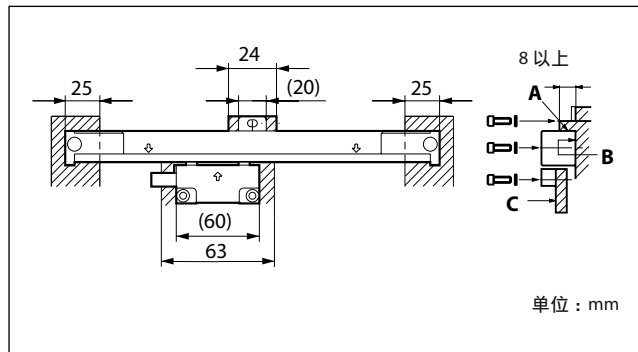


图 3-5 安装尺寸

3-4-1. 安装直线标尺

<1> 直线标尺部分安装面的平行度和平面度预先已达到标准时

安装面为机械加工面，预先已达到下表所示的平行度、平面度的话，可直接安装直线标尺。（对于 $L < 1250$ mm 的直线标尺，使用 2 根 M4 × 10 内六角螺栓和 2 个平垫圈 (M)；对于 $L \geq 1250$ mm 的直线标尺，使用 3 根 M4 × 10 内六角螺栓和 3 个平垫圈 (M)。紧固扭矩：350 N·cm/35 kgf·cm)

A 面、B 面平面度	0.15 mm 以内
相对于 A 面、B 面机械滑动的平行度	

A 面的范围如图 3-5 所示。但是，上述容许值以表面内无急剧的变化和在左右安装面之间没有障碍物为条件。

<2> 直线标尺的安装面为铸造表面时

利用安装托架安装直线标尺

(1) 安装面为铸造表面且平行度没有达到标准时

利用安装托架并进行调整，使得满足 <1> 中指定的平行度。

仅在直线标尺的左右脚区域需要安装托架。无需扩展到直线标尺的全长。但是，如因所安装的本机的可动长度而不能测量左右脚的平行度，则需要较长的安装托架。

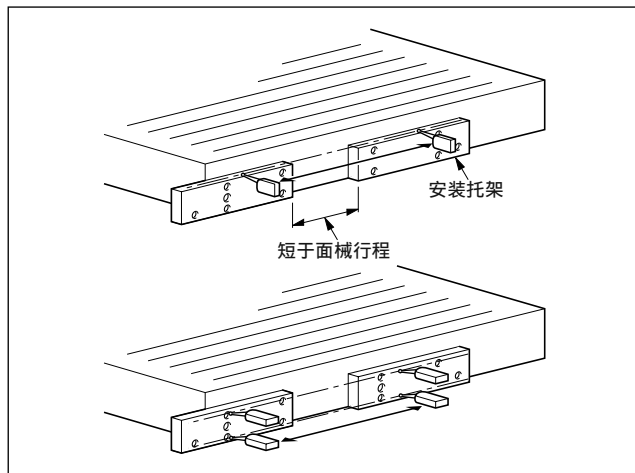


图 3-6 安装托架的长度及其平行度的测定

(2) 确认安装位置和加工螺钉孔

请确认安装直线标尺的平行度满足规格，然后参见第 19 页上的外形尺寸图加工 10 mm 深度的 M4 螺钉。

(3) 安装直线标尺

直线标尺用带平垫圈 (M) 的内六角螺栓 M4 × 10 暂时固定，过 30 min 以上使温度适应机械后再进行安装。

(4) 测定直线标尺与机械滑动的平行度

在直线标尺侧面的校准标记位置 (图 3-7 的 ①) 直接放上千分表调节直线标尺对机械滑动的平行度。

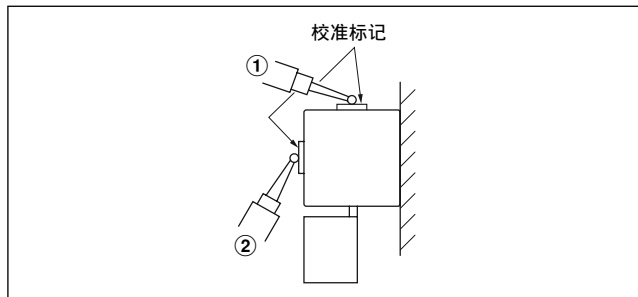


图 3-7 测定直线标尺与机械的滑动

将 2 个校准标记之间的长度的平行度调整在 0.15 mm 以内，并拧紧固定螺钉。对于有效长度为 1250 以上的直线标尺，请将校准标记之间的长度的平行度和其两侧上的平行度调整在 0.15 mm 以内。

注意

因为有效长度为 250 mm 以下的直线标尺上没有校准标记，所以请将千分表放在直线标尺器上，并确保设备可动长度两端的公差在 0.15 mm 以内。

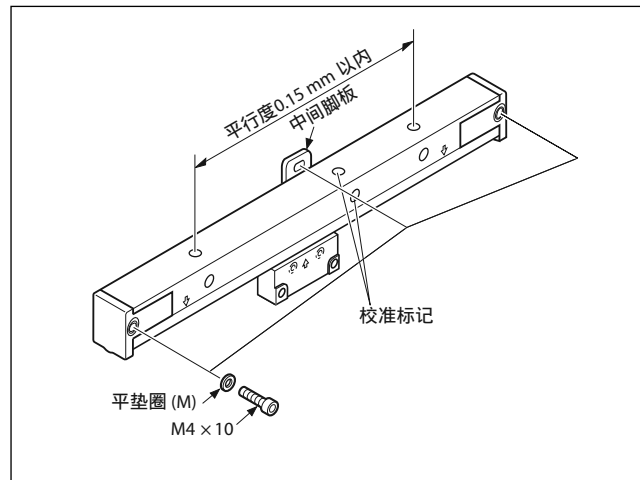


图 3-8 利用校准标记调整平行

(5) 直线标尺安装托架达不到平行度时

请在图 3-7 中 ② 的位置上放上千分表测量各校准标记，在底脚的下部放入隔板等使平行度达到 0.15 mm 以内。对附带中间脚板的直线标尺（有效长度为 1250 至 1600 mm），中间脚板附近位置的平行度也应在 0.15 mm 以内。

3-4-2. 安装滑块

(1) 安装面的平行度和平面度预先已达到标准时

安装面为机械加工面，预先已达到下表所示的平行度、平面度的话，可直接安装滑块，用 2 根 M4 × 14 内六角螺栓和 2 个平垫圈 (S) 安装滑块。

安装尺寸因 B 面和 C 面之间的间隙而异。

C 面的平面度	0.1 mm 以内
相对于 C 面机械滑动的平行度	0.1/60 mm 以内
B 面和 C 面之间的平行度	
B 面和 C 面之间的间隙	8.7 至 8.9 mm
	9 mm ± 0.1 mm

- 如果 B 面和 C 面之间的间隙被设在 8.7 和 8.9 mm 之间，移动机械使安装面位于滑块的下面。用附带的隔板填入安装面和滑块的间隙后固定滑块。然后拆下固定滑块架的螺钉。（如果缝隙仍未填满，请检查 B 面和 C 面之间的间隙，并根据需要进行调整。）

- 如果 B 面和 C 面之间的间隙被设在 9 ± 0.1 mm。

取下固定直线标尺和滑块架的 2 个螺钉，并用手移动滑块，将其与托架对齐。将滑块固定在滑块架突出部分 (D) 与直线标尺相接触的地方。最后从滑块上拆下滑块架。

注意

当滑块架被固定住时，如果移动托架侧会使托架撞上滑块。所以请仅移动滑块侧。

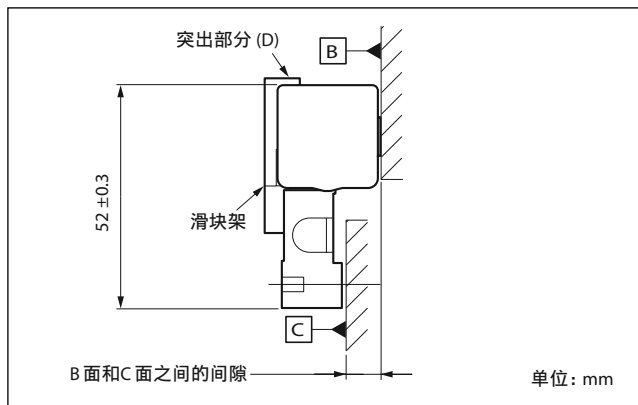


图 3-9

- (2) 滑块部分安装面没有达到精度标准时

机械的安装面为铸造表面时，可使用安装托架。不要放松固定滑块架的螺钉，将滑块下面与安装托架对齐，边调整托架的高度边紧固附带的 M4 × 14 螺栓。

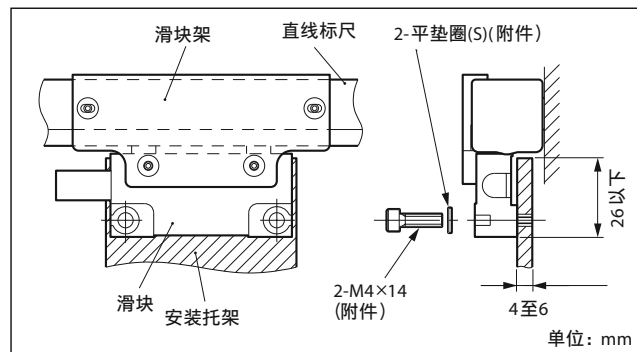


图 3-10

(3) 在滑块外侧安装托架时

将安装托架与滑块上面对齐，调整安装托架使从直线标尺部分安装面起的高度为 23 ± 0.1 mm。确认安装托架的形状为以后可拆下滑块架。如图所示用 2 根螺栓 (M5 × 25 内六角螺栓) 和 2 个螺母 (M5 螺栓用) 固定滑块。

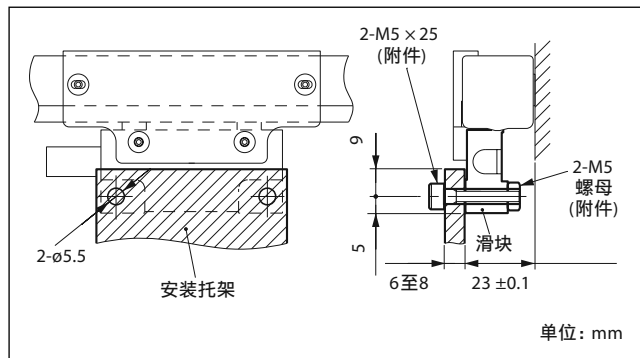


图 3-11

(4) 如果滑块侧螺孔用于安装

使安装托架与滑块侧相接触。将托架固定在滑块侧螺孔与托架安装孔对齐之处。

确认滑块侧表面和安装托架之间没有任何缝隙。然后用螺栓固定。

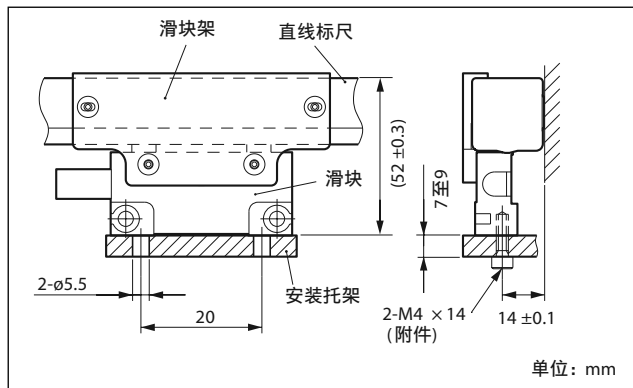


图 3-12

3-4-3. 拆卸滑块架

拆下滑块架的安装螺栓 M2.6(4 根), 卸下滑块架。

拆下滑块架后, 请再次确认是否移动在安装位置内, 并确认滑块没有装偏斜。

- 拆卸后的螺钉孔务必用遮蔽用标签(附件)贴上。否则切削油、切屑、灰尘会从孔中进入, 有影响直线标尺精度的危险。请在标签上用圆珠笔注明安装日期和主管人员的姓名。

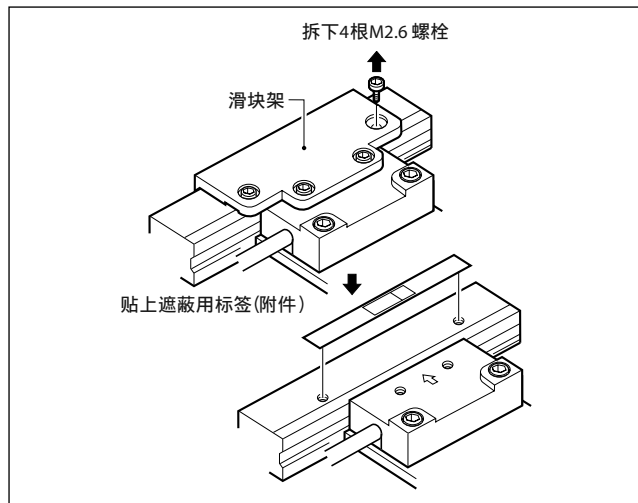


图 3-13 滑块架的拆卸方法

注意

请妥善保管好拆下的滑块架和 M2.6 螺栓 (4 根)。

3-4-4. 确认可动范围

安装直线标尺和滑块后，请务必确认直线标尺的有效长度以及设备的移动在直线标尺的有效长度之内。注意如果设备超过滑块的可动范围（有效长度 + 余量）移动，直线标尺可能会损坏。

3-4-5. 安装导管电缆

用电缆夹固定导管电缆使其不妨碍操作。

注意

布线时必须留有机械动作的余量，请予以注意。

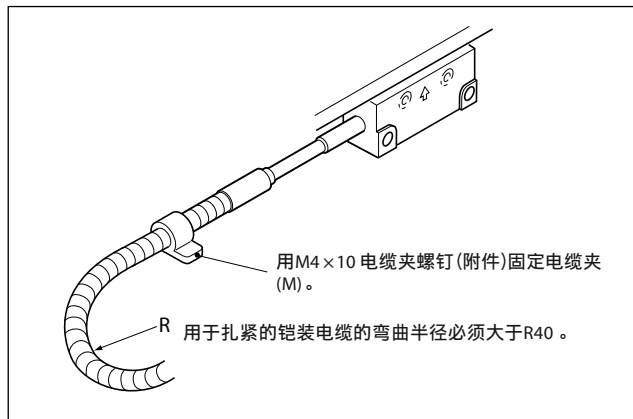


图 3-14

3-4-6. 将读数头电缆连接至计数器

- ① 确认计数器的电源已断开，将连接电缆的接口组件连接至计数器后面的 1-3 连接器。

注意

请确认直线标尺器安装轴和计数器插口。

- ② 用接口组件的螺钉固定。(紧固扭矩：60 N·cm)

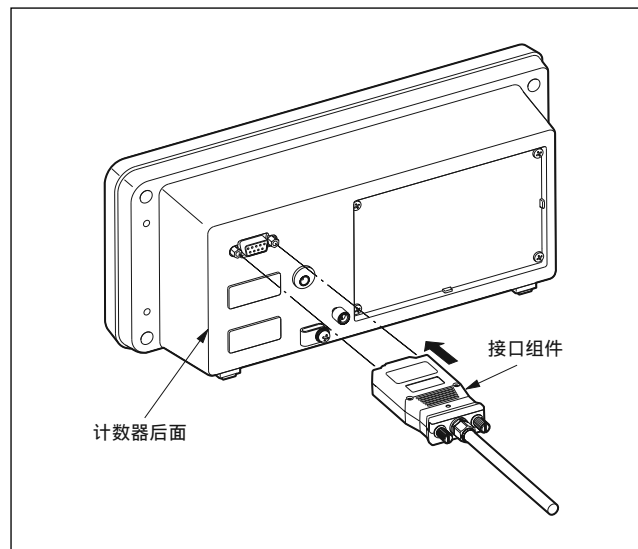


图 3-15

3-4-7. 拆卸直线标尺时

要将安装在机械上的直线标尺拆下时，请务必使用滑块架，将滑块固定于直线标尺。请按编号顺序拆卸。

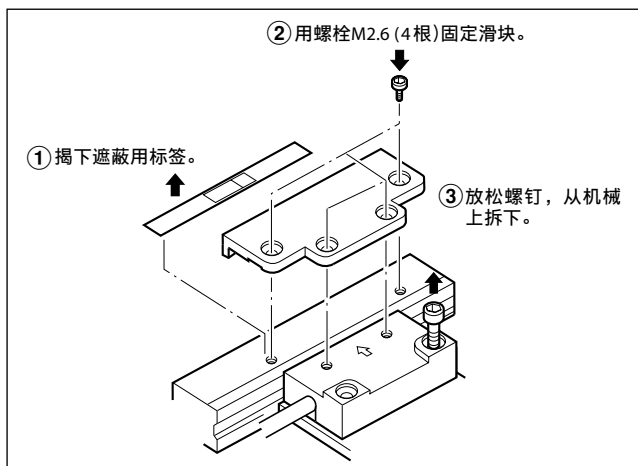


图 3-16

经过这样固定，直线标尺和读数头恢复到与安装时相同的状态，便于下次再安装。

4. 主要规格

4-1. 一般规格

直线标尺器

有效长度 : 150、250、350、400、500、650、
单位 : mm 800、950、1050、1250、1400、1600

全长 : 有效长度 + 120

单位 : mm

最大可动长度 : 有效长度 + 20

单位 : mm (左右各 10)

直线标尺精度 : $\pm 10 \mu\text{m}$
(20°C 时) (有效长度 1250 或以下)

单位 : mm $\pm 15 \mu\text{m}$
(有效长度 1400 或以上)

电缆长度 : 3 m(SJ700A-015 至 080)
5 m(SJ700A-095 至 160)

温度膨胀系数 : $(12 \pm 1) \times 10^{-6}/^{\circ}\text{C}$
温度

工作 : 0 至 +40 °C

保存 : -20 至 +60 °C

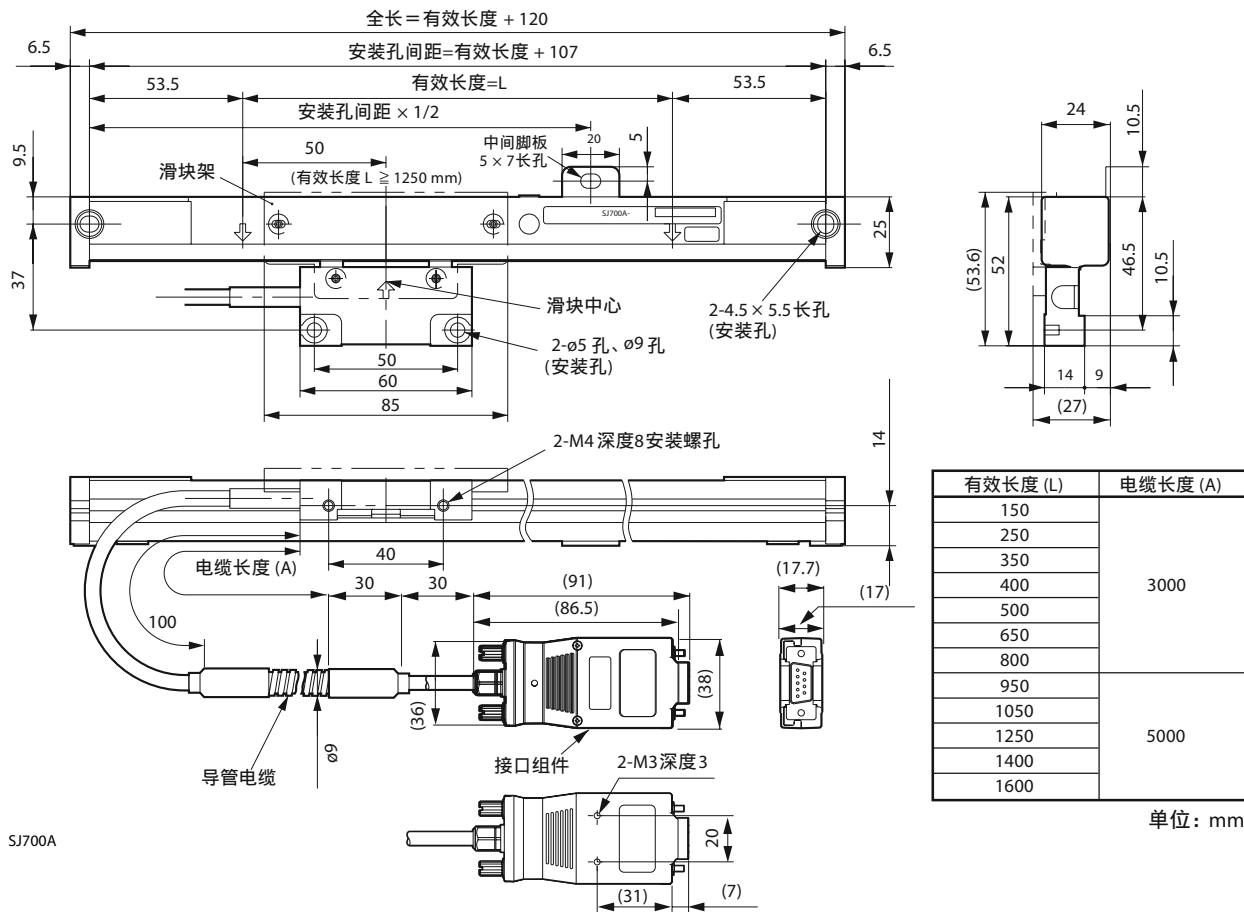
湿度

工作 : 允许冷凝

保存 : 90 %

产品可能会因部分改良而改变外观和规格，恕不预先通告。

4-2. 外形尺寸图



SJ700A

5. 故障信息

- 如果发生影响直线标尺功能的情况，诸如超限、电缆损坏、直线标尺器的变形等，必须进行修理。
 - 请立即使机械停机，并与本公司或销售本机的经销商联系。
- 根据损伤的程度，有些可能无法修理。

为了防止发生故障，请经常进行清扫。

 - 在每天开始工作时和工作结束时注意清扫直线标尺周围的切屑，不使切屑积累。
 - 切屑积累后会妨碍直线标尺的滑动，引发故障。
 - 清扫切屑时不要使用喷枪等。直线标尺的行走部分虽然为密封，但在结构上并没有完全密封，使用喷枪等有时会使切屑等从直线标尺的密封部分侵入，引起故障。

このマニュアルに記載されている事柄の著作権は当社にあり、説明内容は機器購入者の使用を目的としています。したがって、当社の許可なしに無断で複製したり、説明内容（操作、保守など）と異なる目的で本マニュアルを使用することを禁止します。

本手册所记载的内容的版权归属 Magnescale Co., Ltd., 仅供购买本手册中所记载设备的购买者使用。除操作或维护本手册中所记载设备的用途以外, 未经 Magnescale Co., Ltd. 的明确书面许可, 产禁复制或使本手册任何内容。

The material contained in this manual consists of information that is the property of Magnescale Co., Ltd. and is intended solely for use by the purchasers of the equipment described in this manual. Magnescale Co., Ltd. expressly prohibits the duplication of any portion of this manual or the use thereof for any purpose other than the operation or maintenance of the equipment described in this manual without the express written permission of Magnescale Co., Ltd.

Le matériel contenu dans ce manuel consiste en informations qui sont la propriété de Magnescale Co., Ltd. et sont destinées exclusivement à l'usage des acquéreurs de l'équipement décrit dans ce manuel.

Magnescale Co., Ltd. interdit formellement la copie de quelque partie que ce soit de ce manuel ou son emploi pour tout autre but que des opérations ou entretiens de l'équipement à moins d'une permission écrite de Magnescale Co., Ltd.

Die in dieser Anleitung enthaltenen Informationen sind Eigentum von Magnescale Co., Ltd. und sind ausschließlich für den Gebrauch durch den Käufer der in dieser Anleitung beschriebenen Ausrüstung bestimmt.

Magnescale Co., Ltd. untersagt ausdrücklich die Vervielfältigung jeglicher Teile dieser Anleitung oder den Gebrauch derselben für irgendeinen anderen Zweck als die Bedienung oder Wartung der in dieser Anleitung beschriebenen Ausrüstung ohne ausdrückliche schriftliche Erlaubnis von Magnescale Co., Ltd.

日本からの輸出時における注意

本製品（および技術）は輸出令別表第1の16の項（外為令別表16の項）に該当します。キャッチオール規制による経済産業省の許可要否につきましては、輸出者様にてご確認ください。

For foreign customers

Note: This product (or technology) may be restricted by the government in your country. Please make sure that end-use, end user and country of destination of this product do not violate your local government regulation.

Magnescale Co., Ltd.

45 Suzukawa, Isehara-shi, Kanagawa 259-1146, Japan

SJ700A Series
3-876-899-1B

2020.7
Printed in Japan
©2008 Magnescale Co., Ltd.