

LASERSCALE®

Scale Unit / Maßstabseinheit

BL57-RE

Read all the instructions in the manual carefully before use and strictly follow them.
Keep the manual for future references.

Lesen Sie die ganze Anleitung vor dem Betrieb aufmerksam durch und folgen Sie beim Betrieb des Geräts den Anweisungen. Bewahren Sie diese Bedienungsanleitung zum späteren Nachlesen griffbereit auf.

LASERSCALE / LASERSCALE

Instruction Manual / Bedienungsanleitung

Safety Precautions

Magnescale Co., Ltd. products are designed in full consideration of safety. However, improper handling during operation or installation is dangerous and may lead to fire, electric shock or other accidents resulting in serious injury or death. In addition, these actions may also worsen machine performance.

Therefore, be sure to observe the following safety precautions in order to prevent these types of accidents, and to read these "Safety Precautions" before operating, installing, maintaining, inspecting, repairing or otherwise working on this unit.

Warning indication meanings

The following indications are used throughout this manual, and their contents should be understood before reading the text.

Warning

Failure to observe these precautions may lead to fire, electric shock or other accidents resulting in serious injury or death.

Caution

Failure to observe these precautions may lead to electric shock or other accidents resulting in injury or damage to surrounding objects.

Symbols requiring attention



CAUTION



ELECTRICAL
SHOCK



FINGER JAM



LASER BEAM

Symbols prohibiting actions



DO NOT
DISASSEMBLE

Symbols specifying actions



UNPLUG-
GING

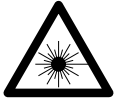
Warning



- Do not use this unit with voltages other than the specified supply voltages as this may result in fire or electric shock.
- Do not perform installation work with wet hands as this may result in electric shock.



- Do not disassemble or modify the unit as this may result in injury or damage the internal circuits.



- This device is a class 1 laser product using a semiconductor laser with wavelength of 790 nm that is outside the visible range. The maximum output of the laser is 6 mW (class 3B).
- Although the laser beams emitted from the head interior are invisible to the eye, they are hazardous to the human body. Therefore, never disassemble the scale unit, or try to look into it from the sealed section of the scale unit. Also, never insert foreign objects into the sealed section of the scale unit.

CLASS 1 LASER PRODUCT
LASERSCHUTZKLASSE 1 PRODUKT
TO EN 60825

Caution



- Be sure to check the machine and device conditions to ensure work safety before working on the machine.



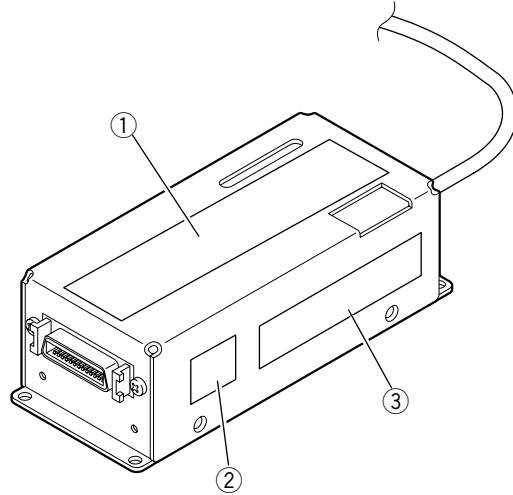
- Be sure to cut off the power supply and other sources of drive power before working on the machine. Failure to do so may result in fire or accidents.



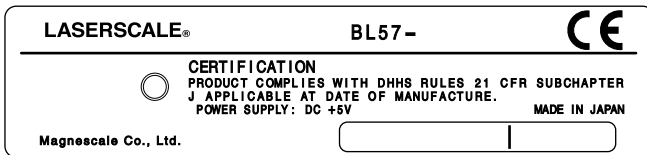
- When turning on the power supply or other sources of drive power to operate the machine, take care not to catch your fingers in peripheral machines and devices.

CAUTION

Use of controls or adjustments or performance of procedures other than those specified herein may result in hazardous radiation exposure.



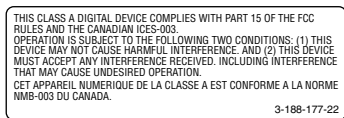
① Specification/DHHS label



② Laser Danger label



③ FCC label



[CAUTION]

SCALE GRATING MAY DISCOLOR.

The scale may discolor after being exposed to light for a long time.

If laser beam from the head irradiates the same spot of the scale for a long time, the scale may discolor white at the location. This will not affect the performance of the scale.

On the other hand, the scale may discolor dark after being exposed to ultraviolet light for a long time. This may affect the signal output level. Please shield the scale from UV with a cover.

Operating Precautions

- An antistatic cap is attached to the connector plug of the interface unit. Do not remove this cap until you are ready to connect the peripherals.
After removing the static electricity proof cap, take care not to touch the connector pins as this might cause malfunctions.
- Be sure to make all connections of the interface unit connector and the peripherals before switching the power on. Never insert or pull out the connector when the power switch is on.
- Do not pull at the cable forcibly or bend it excessively. (Bending radius (inside) Static: 10 mm or more, immobile)
- Use the BL57-RE approximately 30 minutes after power is supplied to the unit, when the temperature of the detector head reaches a stable state.
- The BL57-RE is a precision measuring instrument. Handle it with extreme care so that no excessive shock is applied to it. For transport, be sure to pack it in the same way as it was packed at the time of purchase. Be sure to always attach the antistatic cap to the connector.

Notes on installation

Take careful note of the following points when installing the scale unit to prevent noise and electromagnetic interference from other equipment.

- Do not pass the head cable and connection cable through the same duct as the power line.
- Install in a location that is at least 0.5 meters separated from sources of high voltage and large currents and large power relays.
- Do not use the cable connecting the detector head to the interface unit in a location where it is likely to be repeatedly subjected to a bending force (cable bear, etc.). In such a case, bend the cable connected to the output connector on the interface unit.

Notes on attachment location

- Attach the scale in a location as near as possible to the workpiece and measurement object of the machine.
- Use this product in an environment with an ambient temperature of 0 to 40 °C.
Do not attach it to a location that is exposed to direct sunlight or warm air or near sources of heat such as motors. This could adversely affect the accuracy.
- If using a water-soluble cutting fluid or other substances, ensure that there is adequate protection so that it does not adhere to the scale.
- Never place objects on top of the attached scale, rest your elbows or feet on the scale when using it, or apply an excessive amount of pressure to the scale.

Notes on storage

- Do not store in locations with high temperatures or high humidity.
This could have an adverse effect on scale performance. Store in a location that is as dry as possible.

General Precautions

When using Magnescale Co., Ltd. products, observe the following general precautions along with those given specifically in this manual to ensure proper use of the products.

- Before and during operations, be sure to check that our products function properly.
- Provide adequate safety measures to prevent damages in case our products should develop malfunctions.
- Use outside indicated specifications or purposes and modification of our products will void any warranty of the functions and performance as specified of our products.
- When using our products in combination with other equipment, the functions and performance as noted in this manual may not be attained, depending upon operating environmental conditions. Make full study of the compatibility in advance.

[For U.S.A. and Canada]

THIS CLASS A DIGITAL DEVICE COMPLIES WITH PART15 OF THE FCC RULES AND THE CANADIAN ICES-003. OPERATION IS SUBJECT TO THE FOLLOWING TWO CONDITIONS.

- (1) THIS DEVICE MAY NOT CAUSE HARMFUL INTERFERENCE, AND
- (2) THIS DEVICE MUST ACCEPT ANY INTERFERENCE RECEIVED, INCLUDING INTERFERENCE THAT MAY CAUSE UNDERSIGNED OPERATION.

CET APPAREIL NUMERIQUE DE LA CLASSE A EST CONFORME A LA NORME NMB-003 DU CANADA.

Contents

1. Overview	1-1
1-1. Introduction	1-1
1-2. Main Features	1-1
1-3. Series Models	1-2
2. Names and Functions of Parts	2-1
3. Mounting and Adjustment	3-1
3-1. Mounting Precautions	3-1
3-1-1. When Mounting	3-1
3-1-2. Mounting Direction	3-2
3-1-3. Mounting Requirements	3-2
3-2. Mounting Surface Preparations	3-3
3-3. Scale Mounting	3-5
3-4. Detector Head Mounting	3-9
3-5. Signal Adjustment	3-10
3-5-1. Signal Adjustment Preparations	3-10
3-5-2. Azimuth Adjustment	3-11
3-6. Completion of Mounting and Adjustment	3-13
4. Interface Unit	4-1
4-1. Removing and Attaching the Interface Unit Cover	4-1
4-2. Installing the Interface Unit	4-1
4-3. Names of LEDs	4-2
4-4. MODE Switch	4-3
4-4-1. Detailed Description of MODE Switches	4-4
4-5. Changing the Settings	4-5
4-5-1. Changing the Direction	4-5
4-5-2. Changing the Resolution	4-5
4-5-3. Setting the Reference Point Output Signal Width	4-5
4-5-4. Adjusting the Reference Point	4-6
4-5-5. Setting the Reference Point Output and Reference Point Detection Direction	4-7
4-5-6. Setting the Alarm Reset Mode	4-8
5. Scale Signal Output	5-1
5-1. A/B Signal and Alarm Output Specifications (For output formats F and G)	5-1
5-2. Analog Output Specifications (For output format H)	5-2
6. Input/Output Connectors	6-1
6-1. Connectors	6-1
6-2. Connection Specifications	6-3
6-2-1. A/B Signal Output Type	6-3
6-2-2. Analog Output Type	6-5
6-2-3. Output Cable Length (For analog output only)	6-6
7. Main Specifications	7-1

8. Dimensions	8-1
8-1. Neoceram Models	8-1
8-2. Soda Lime Glass Models	8-2
9. Trouble Prevention	9-1

1. Overview

1-1. Introduction

The BL57-RE series is an open-type LASERSCALE with integrated detector containing a built-in reference point. The interface unit is supplied with DC power at $+5\text{ V} \pm 5\%$ for output of A/B and Z signals, or analog and reference point signals.

1-2. Main Features

- Resolution: A/B signal output type : 0.1/0.05, 0.02/0.01 μm
Analog output type : 0.4 μm
- Head signal cycle of 0.4 μm allows the interpolation error to be disregarded
- Optical integrated circuits employing the latest semiconductor technology are used to achieve a compact and low-energy design
- Theoretically not affected by changes in temperature, air pressure, or by atmospheric fluctuations and uses low-expansion glass for enhanced measurement stability
- Maximum speed: 3,000 mm/s (analog output)

1-3. Series Models

Neoceram models

Model name	Measuring length
BL57-003RE*C	30 mm
BL57-006RE*C	60 mm
BL57-011RE*C	110 mm
BL57-016RE*C	160 mm
BL57-021RE*C	210 mm
BL57-026RE*C	260 mm
BL57-031RE*C	310 mm
BL57-036RE*C	360 mm
BL57-041RE*C	410 mm

Note: It is possible to use a special specification unit that has a measuring length of between 420 and 660 mm.

Soda lime glass models

Model name	Measuring length
BL57-006RE*B	60 mm
BL57-016RE*B	160 mm
BL57-026RE*B	260 mm
BL57-036RE*B	360 mm
BL57-046RE*B	460 mm
BL57-056RE*B	560 mm
BL57-066RE*B	660 mm
BL57-076RE*B	760 mm
BL57-086RE*B	860 mm
BL57-096RE*B	960 mm
BL57-106RE*B	1060 mm

Note: It is possible to use a special specification unit that has a measuring length of between 1070 and 1360 mm.

Table 1-1

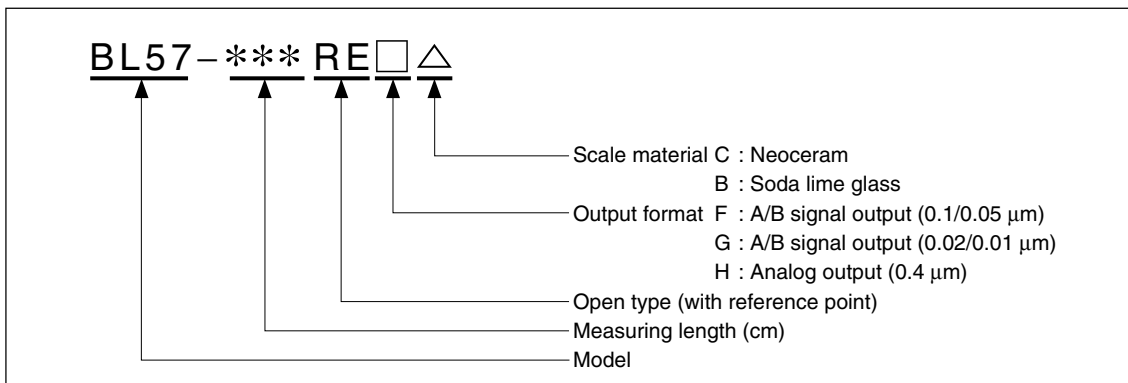


Fig. 1-1

Examples

- BL57-026REGC : Neoceram 260 mm, Open type with reference point, A/B signal output (0.02/0.01 μm)
- BL57-006REFB : Soda lime glass 60 mm, Open type with reference point, A/B signal output (0.1/0.05 μm)
- BL57-026REHB : Soda lime glass 260 mm, Open type with reference point, Analog output (0.4 μm)

2. Names and Functions of Parts

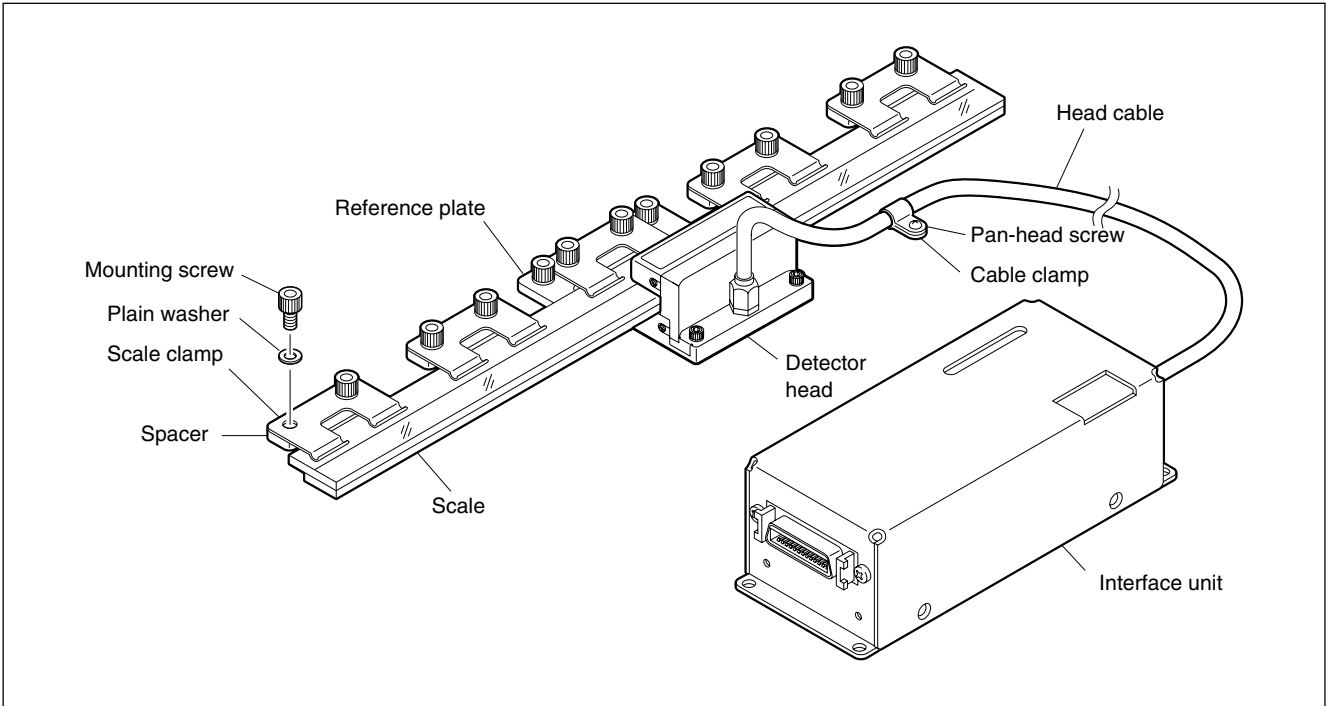


Fig. 2-1

3. Mounting and Adjustment

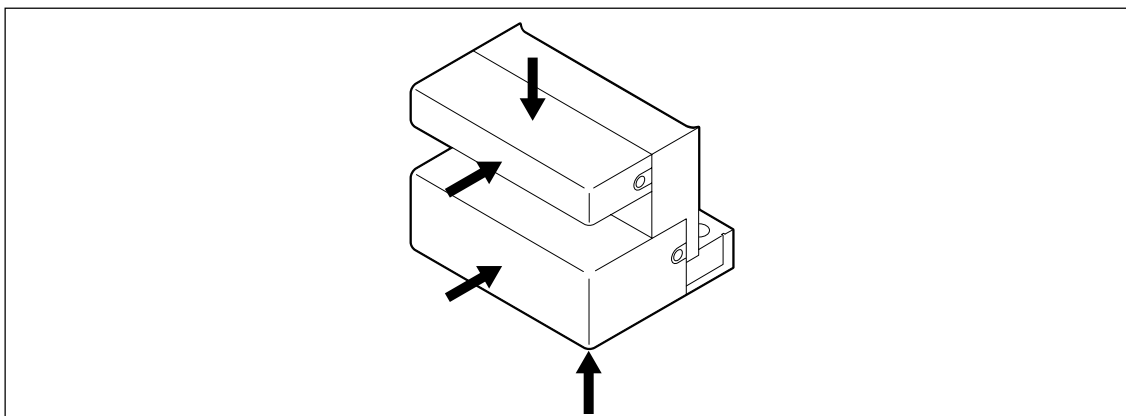
Follow the procedure below. (For details refer to the corresponding pages.)

- 3-1. Mounting Precautions 3-1
 - 3-1-1. When Mounting 3-1
 - 3-1-2. Mounting Direction 3-2
 - 3-1-3. Mounting Requirements 3-2
- 3-2. Mounting Surface Preparations 3-3
- 3-3. Scale Mounting 3-5
- 3-4. Detector Head Mounting 3-9
- 3-5. Signal Adjustment 3-10
 - 3-5-1. Signal Adjustment Preparations 3-10
 - 3-5-2. Azimuth Adjustment 3-11
- 3-6. Completion of Mounting and Adjustment 3-13

3-1. Mounting Precautions

3-1-1. When Mounting

- The scale and the detector head are adjusted to each other. If using more than one scale unit, be sure that the scale-head combinations have matching serial numbers.
- Consider the mounting position (Abbe error) and the environmental conditions (temperature, humidity, vibration and dust) thoroughly.
- Do not lead the head cable through the same duct with the power cable. Also, do not bundle the head cable and power cable together using a tie.
- Install in a location that is at least 0.5 meters separated from sources of high voltage and large currents and large power relays.
- Do not use the cable connecting the detector head to the interface unit in a location where it is likely to be repeatedly subjected to a bending force (cable bear, etc.). In such a case, bend the cable connected to the output connector on the interface unit.
- Use this product in an environment with an ambient temperature of 0 to 40 °C.
Do not attach it to a location that is exposed to direct sunlight or warm air or near sources of heat such as motors. This could adversely affect the accuracy.
- If using a water-soluble cutting fluid or other substances, ensure that there is adequate protection so that it does not adhere to the scale.
- Set the maximum travel of the machine's moving part shorter than that of the scale.
Scale's max. travel = measuring length +10 mm/0.39" (5 mm/0.20" per each side)
(If the scale's max. travel is exceeded, the scale unit signals will not be output and an error will occur.)
- For the scale unit, scale signal adjustment is necessary after mounting. When mounting the scale to the machine, make sure that there is enough space for the adjustment. (See pages 3-3 to 3-13.)
- When mounting and adjusting the detector head, do not touch the surface of the head cover indicated by the arrows in the drawing below.



BL57-RE

Fig. 3-1

3-1-2. Mounting Direction

Mounting can be performed in the vertical or horizontal direction.

The mounting direction shown in the figure is recommended when mounting in the horizontal direction.

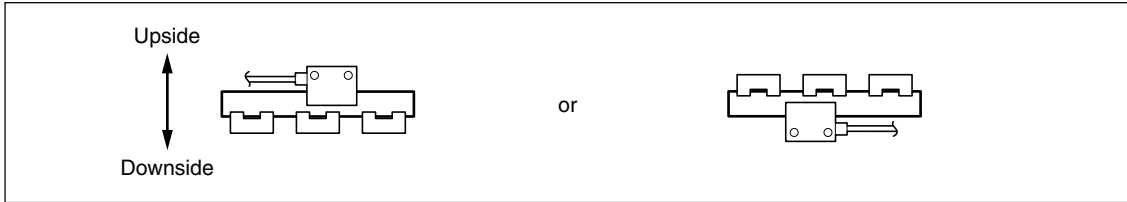


Fig. 3-2

3-1-3. Mounting Requirements

Measuring Instruments

- Electrical micrometer or lever type dial gauge (1)
(one that can measure to an accuracy of 2 μm)
- Dial gauge stand (1)
- Oscilloscope (1)
Capable of 2-quadrant X-Y display
Input sensitivity : DC 0.1 V/DIV
X-Y frequency band : 1 MHz or more

Tools

- Hex. wrenches: 3 mm (1)
- Philips screwdriver No. 1 (1)
- Philips screwdriver No. 0 (1)

Miscellaneous

- Accessories (1 set)
- Gauze (Small amount)
- Alcohol (Small amount)

3-2. Mounting Surface Preparations

1. Check the mounting surface range (the shaded sections in the figure) and accuracy.
2. Check the accuracy of the mounting screw coordinates.

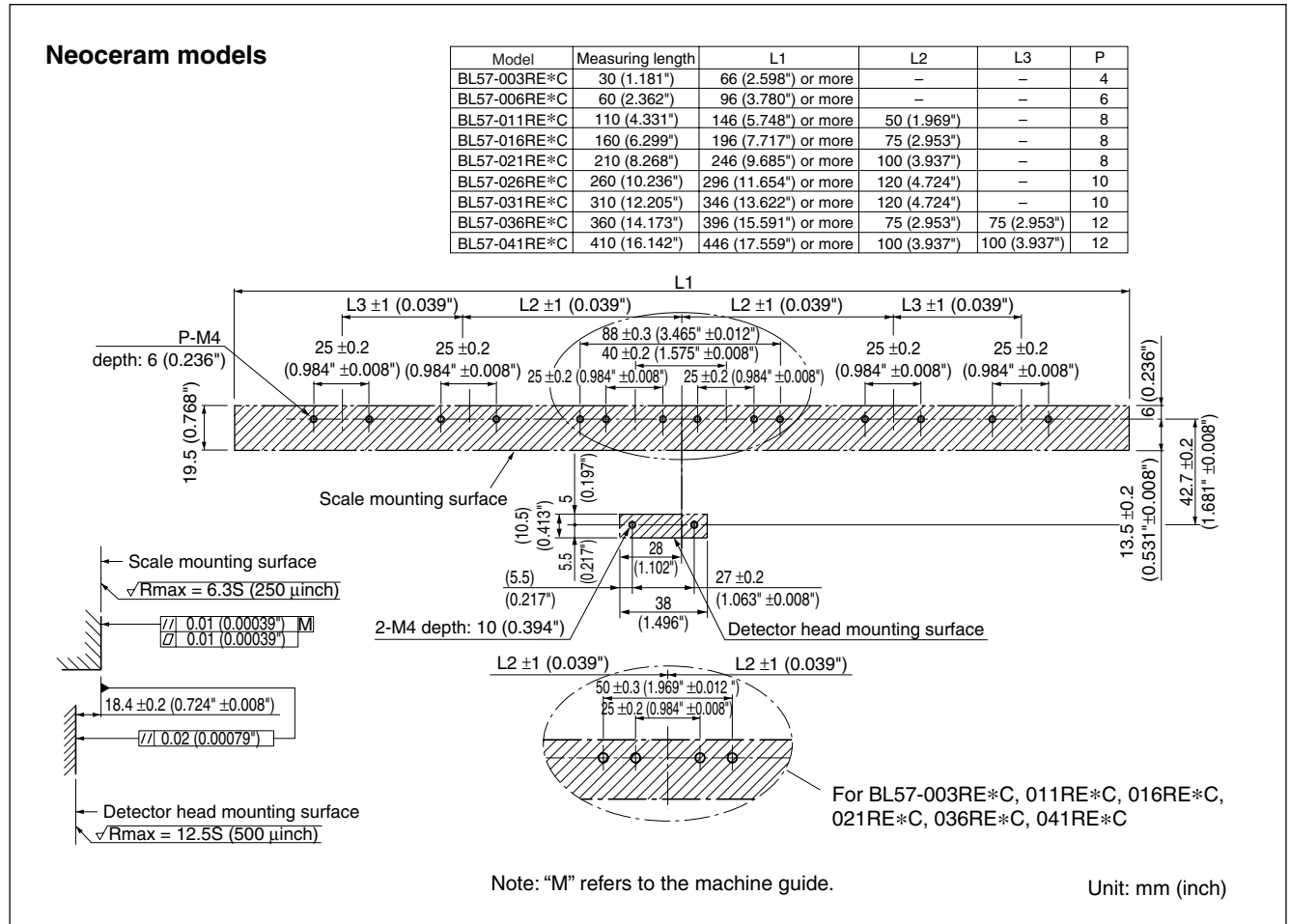
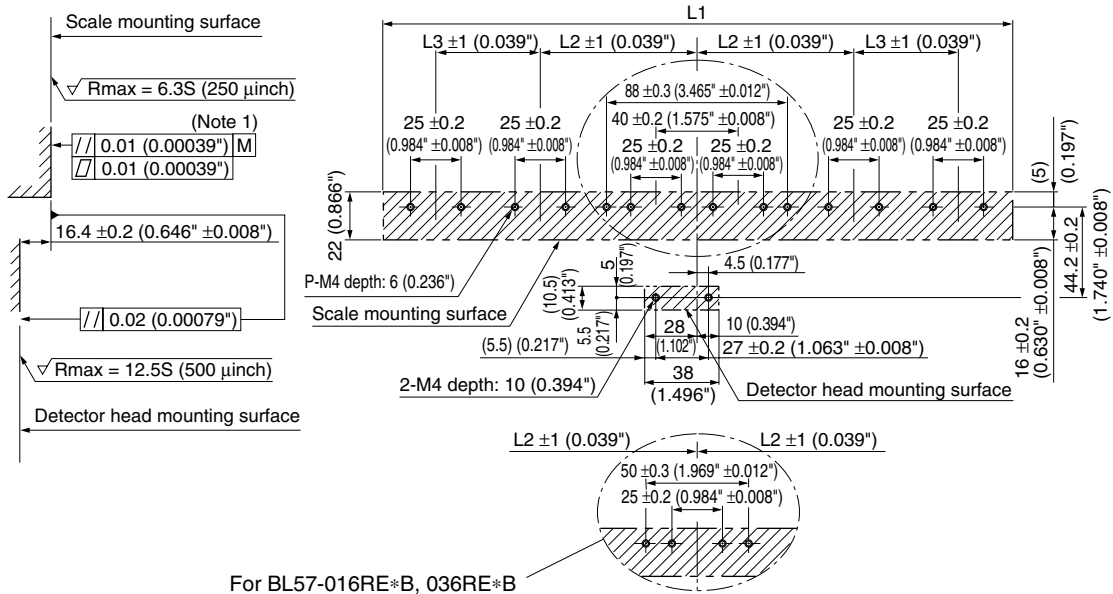


Fig. 3-3

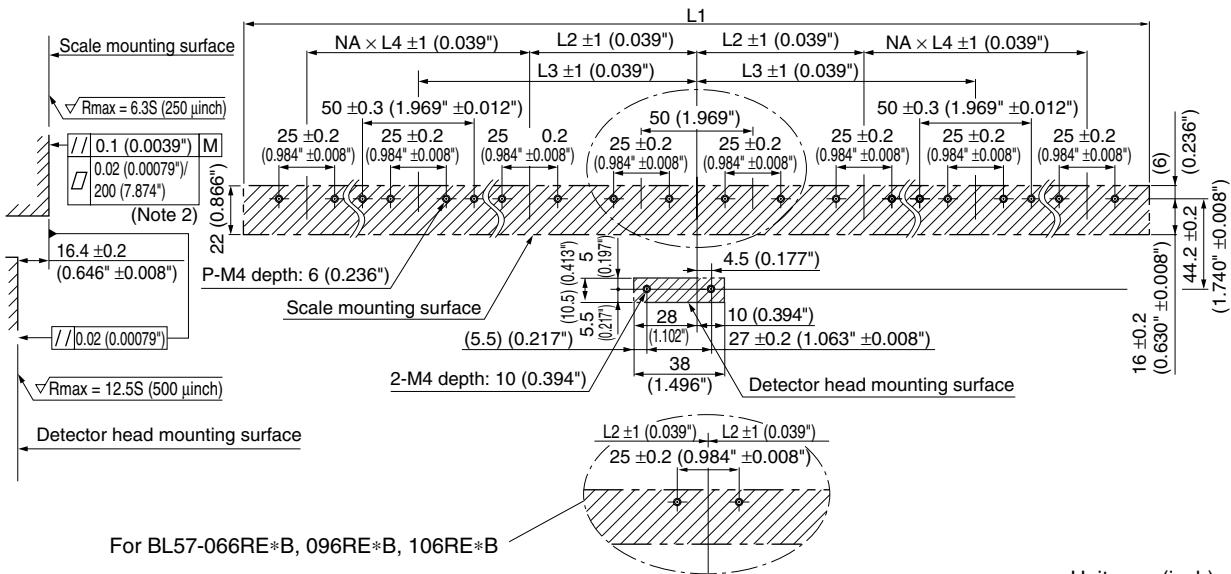
Soda lime glass models

Model	Measuring length	L1	L2	L3	P
BL57-006RE*B	60 (2.362")	96 (3.780") or more	-	-	6
BL57-016RE*B	160 (6.299")	196 (7.717") or more	75 (2.953")	-	8
BL57-026RE*B	260 (10.236")	296 (11.654") or more	120 (4.724")	-	10
BL57-036RE*B	360 (14.173")	396 (15.591") or more	75 (2.953")	75 (2.953")	12
BL57-046RE*B	460 (18.110")	496 (19.528") or more	120 (4.724")	75 (2.953")	14



Unit: mm (inch)

Model	Measuring length	L1	L2	L3	L4	NA	P
BL57-056RE*B	560 (22.047")	596 (23.465") or more	100 (3.937")	175 (6.890")	75 (2.953")	2	16
BL57-066RE*B	660 (25.984")	696 (27.402") or more	75 (2.953")	225 (8.858")	75 (2.953")	3	18
BL57-076RE*B	760 (29.921")	796 (31.339") or more	100 (3.937")	250 (9.843")	75 (2.953")	3	20
BL57-086RE*B	860 (33.858")	896 (35.276") or more	100 (3.937")	250 (9.843")	75 (2.953")	4	24
BL57-096RE*B	960 (37.795")	996 (39.213") or more	75 (2.953")	300 (11.811")	75 (2.953")	5	26
BL57-106RE*B	1060 (41.732")	1096 (43.150") or more	75 (2.953")	300 (11.811")	75 (2.953")	6	30



Unit: mm (inch)

Note 1: "M" refers to the machine guide.

Note 2: The flatness of the scale mounting surface must be within 0.02 over the range of 7 (width) × 200 (length) mm.

Fig. 3-4

3-3. Scale Mounting

- 1 Check that there is no dust or other foreign substances on the mounting surface, and mount the reference plate parallel to the machine guide as shown in the figure. (Fastening torque: 1.4 N · m)
The reference hole is located on the left, as shown in the figure. Adjust at the right side while observing the parallelism with the lever type dial gauge.

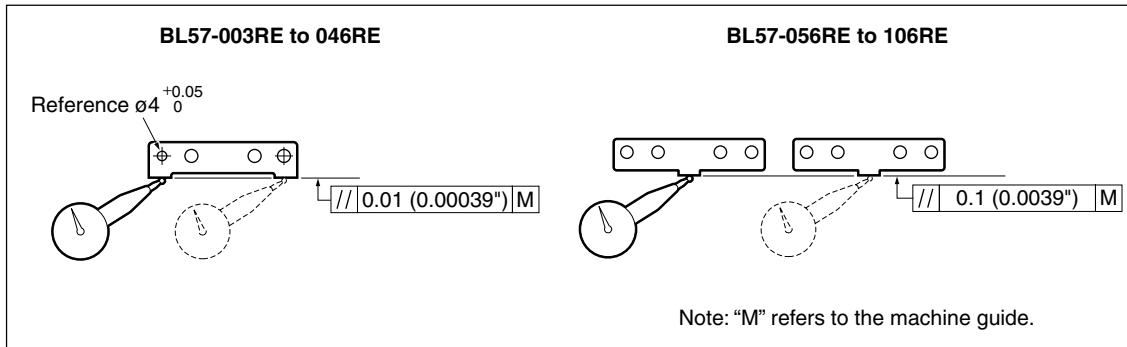


Fig. 3-5

Note

The scale is pressed against the reference plate for parallelism when mounting. The reference plate is vital to accurate scale mounting. Be sure to always use the supplied screw and mount it exactly as described in the specifications.

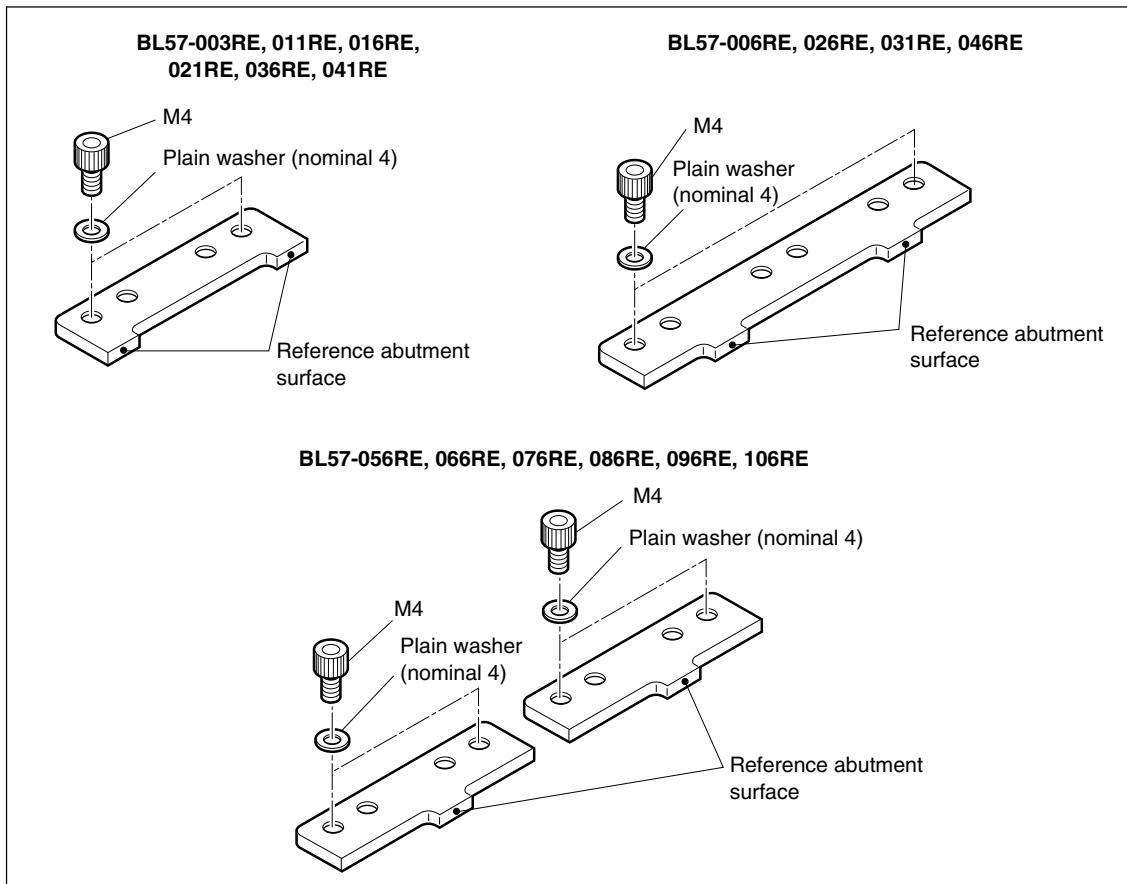


Fig. 3-6

2 Attach the scale clamps loosely (1 or 2 full turns looser than the semi-tightened position) by using the mounting screws, as shown in the figure.

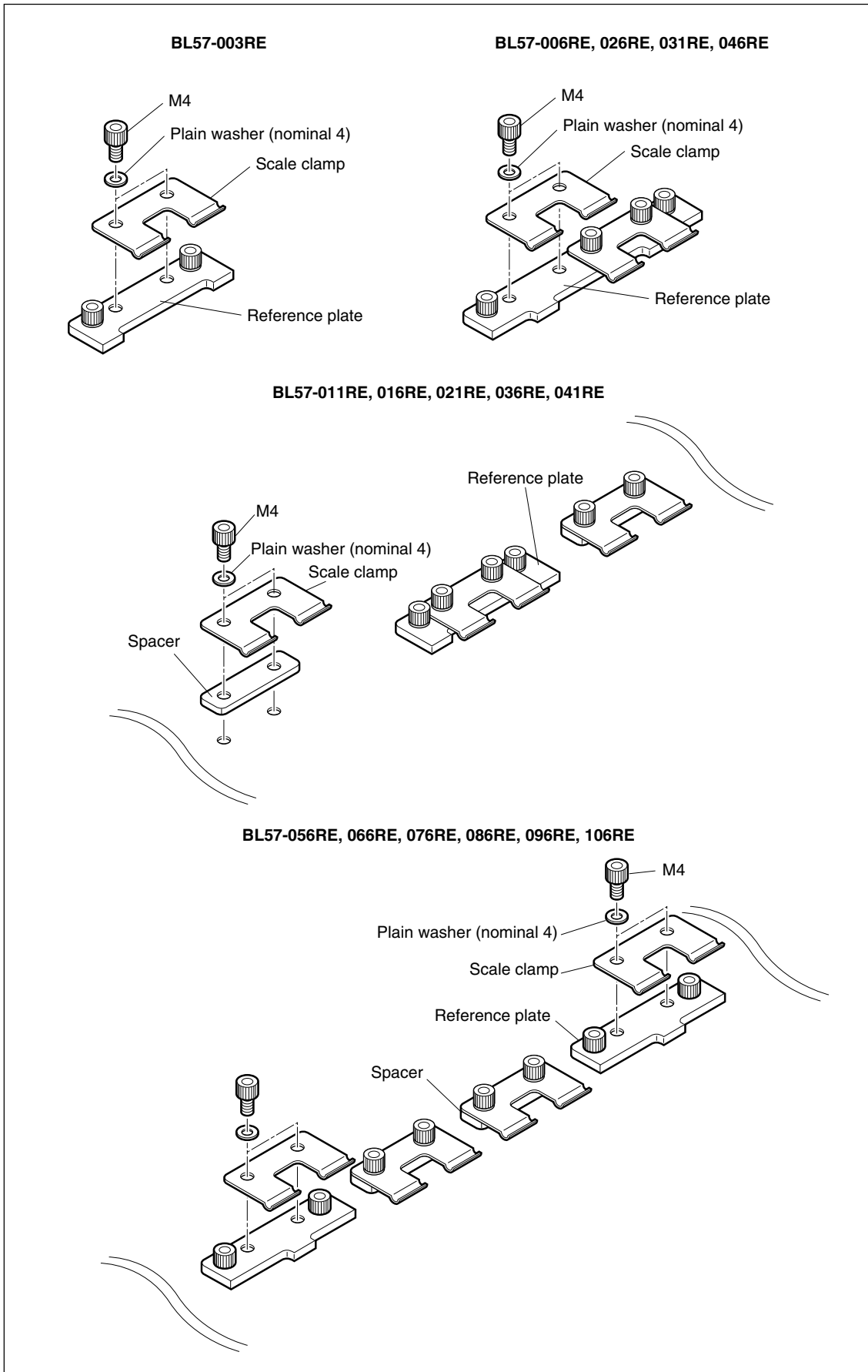


Fig. 3-7

- 3** Check the mounting surface and the datum surface of the scale for dust and dirt. If the surfaces are dirty, wipe them clean with gauze moistened with alcohol.

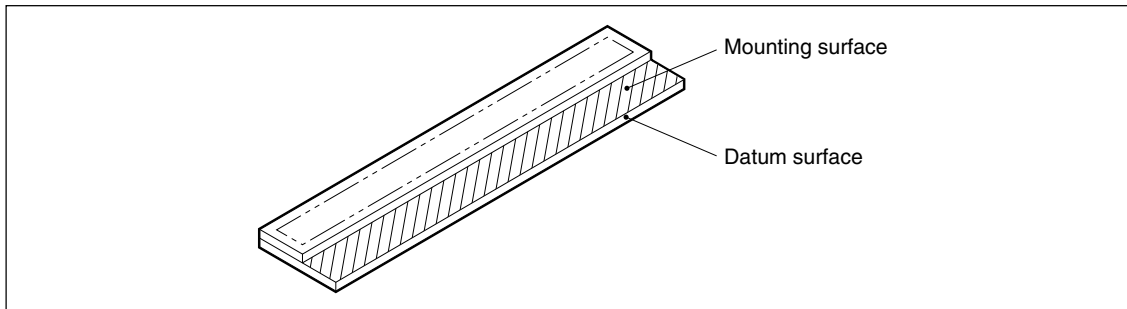


Fig. 3-8

- 4** Insert the scale between the scale clamp and the mounting surface while pressing the datum surface of the scale (see Fig. 3-6) lightly against the reference abutment surface (Note). Gradually and alternately tighten screws A and B of the scale clamp indicated in the figure. (Use only the left-side scale clamp for clamps with two screws, and use the center scale clamp for clamps with three screws.) (Final fastening torque: $1.4 \text{ N} \cdot \text{m}$)

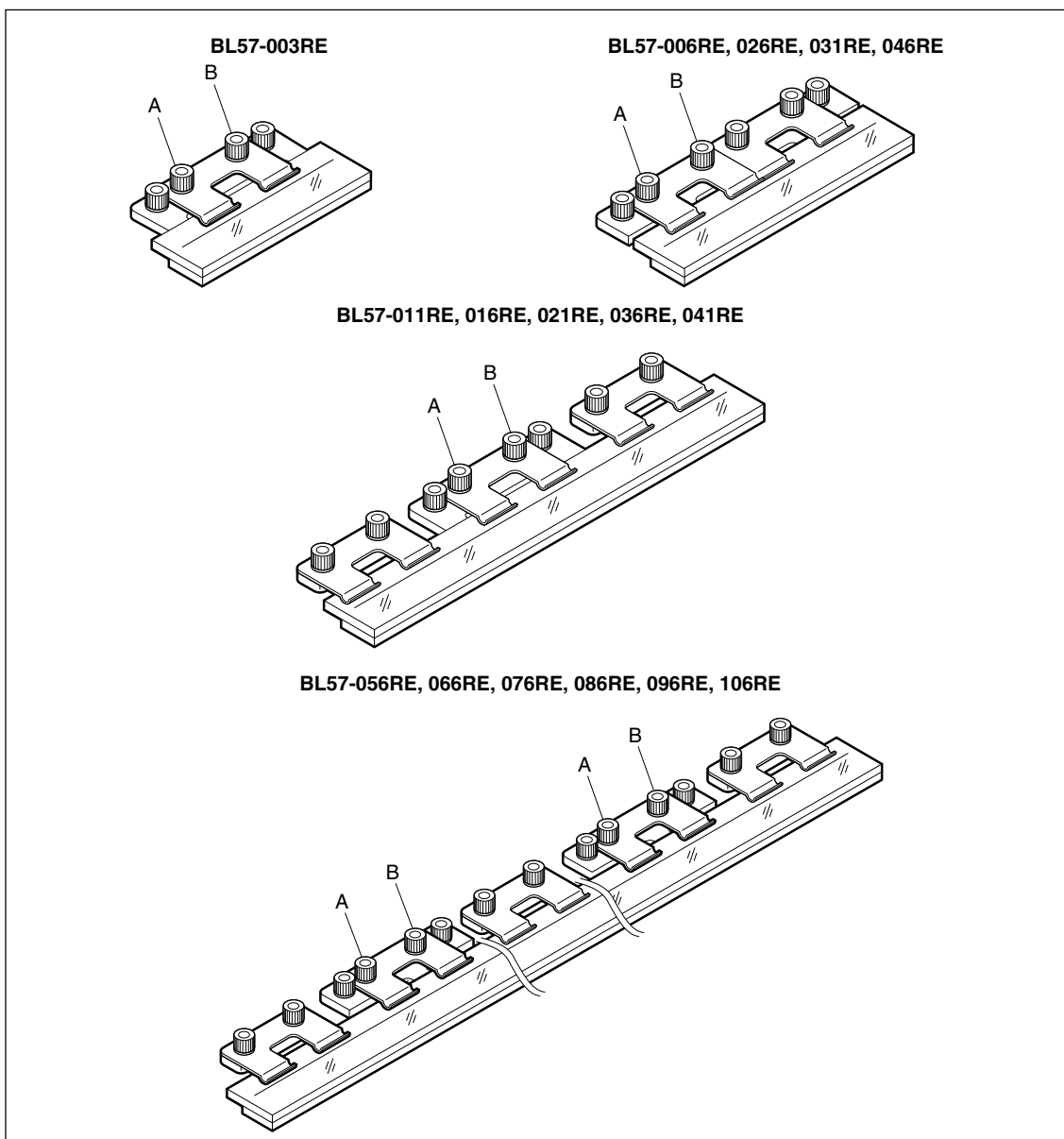
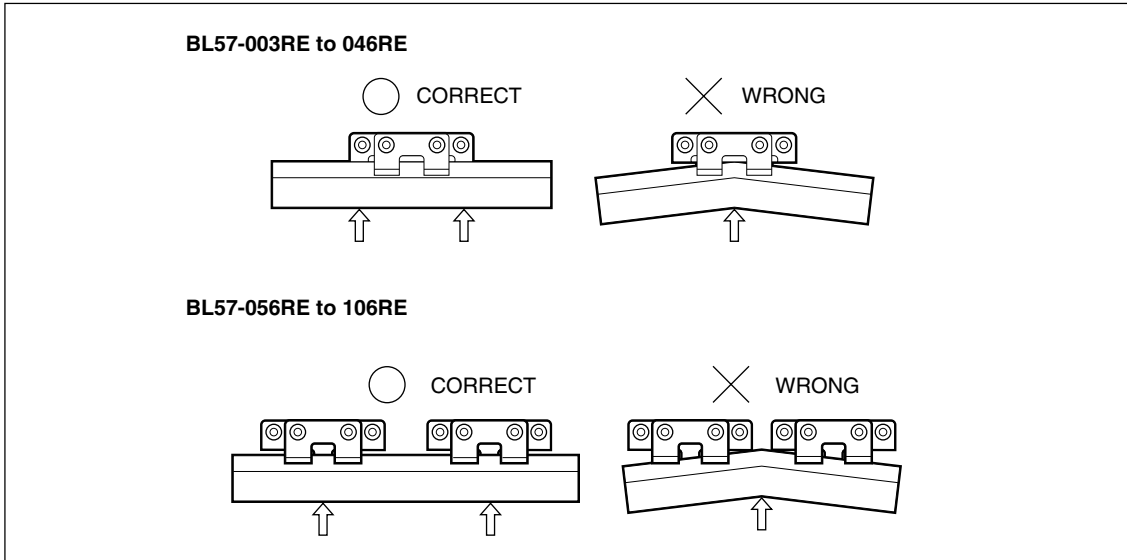


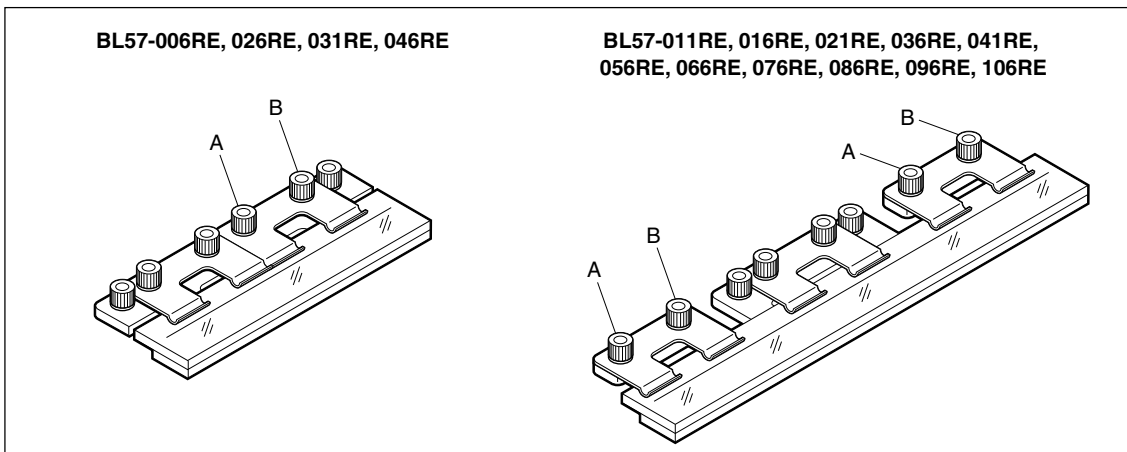
Fig. 3-9

Note

When pressing the scale against the datum surface, lightly press two points on the edge of the scale surface opposite the datum surface with your fingers with a force of 9.8 N or less as shown in Fig. 3-10 on the left. If the middle part of the scale is pressed with a force of 4.9 N or more as shown in Fig. 3-10 on the right, or if the scale is installed with deformation, the specified accuracy cannot be achieved. (This also applies to the following procedures. If it appears that the scale has been bent by force, loosen the scale clamp and mount it again properly.)

**Fig. 3-10**

- 5** Leave the scale in the condition of Fig. 3-9 for one hour or more until the scale temperature stabilizes.
- 6** Secure the remaining scale clamps by gradually and alternately tightening screws A and B. (Use only the right-side scale clamp for clamps with two screws, and use the right-side and the left-side scale clamps for clamps with three screws.) (Final fastening torque: 1.4 N · m)

**Fig. 3-11**

7 Fasten scale clamps on both ends of the scale with the same torque. (Final fastening torque: 1.4 N · m)

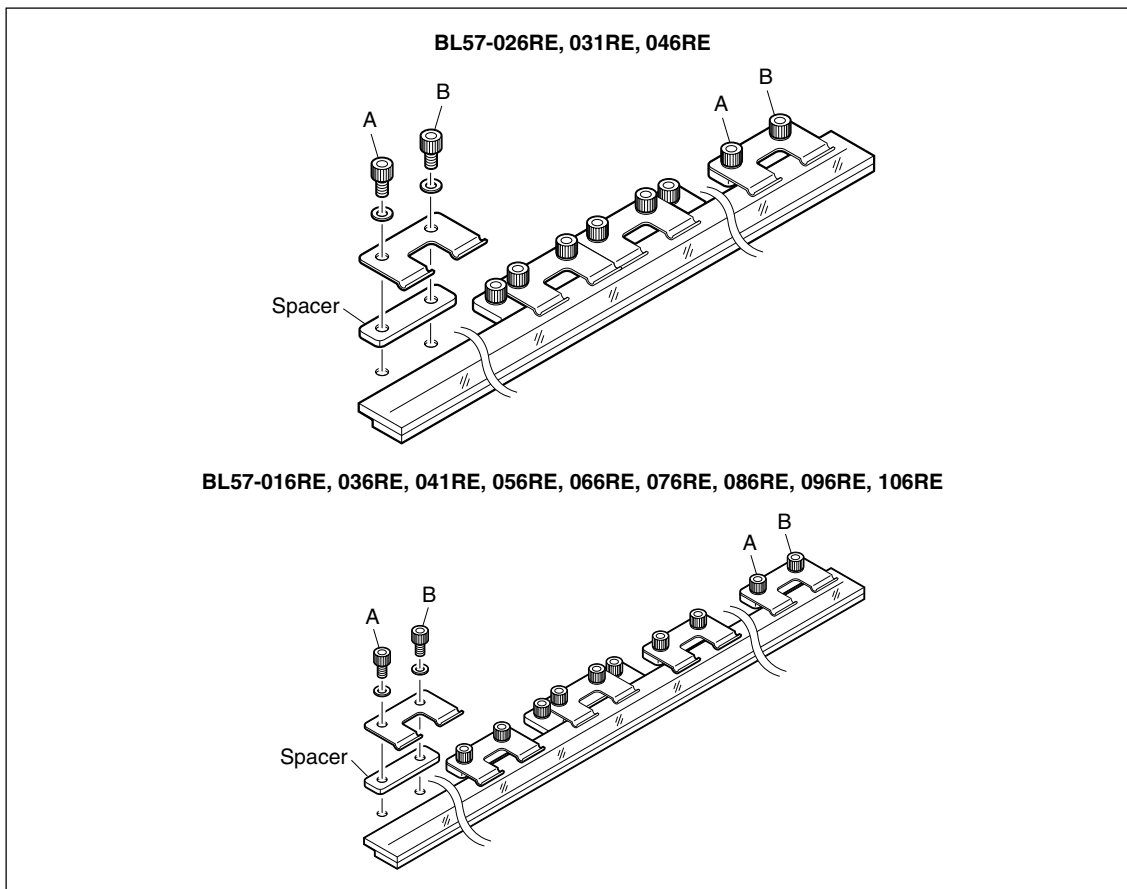


Fig. 3-12

8 Check the surface of the scale for oil and dust. If the surface is dirty, wipe it clean with gauze moistened with alcohol. Be sure to wipe off oil and dust on the surface thoroughly.

3-4. Detector Head Mounting

- 1** Move the machine table and adjust the mounting position of the detector head to roughly the center of the scale.
- 2** Use the supplied mounting screws to semi-tighten the detector head.

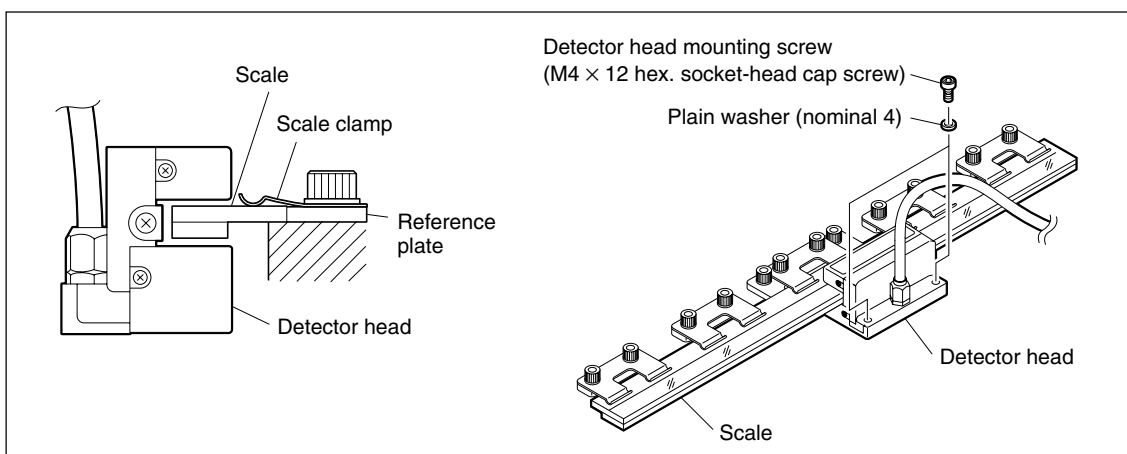


Fig. 3-13

3-5. Signal Adjustment

3-5-1. Signal Adjustment Preparations

Check that the interface unit is turned off.

Refer to section 4-1 for removing and attaching the cover of the interface unit.

1 Connect the CH1 probe of the oscilloscope to the check pins*¹ of the interface unit.

*1 Output format F, G or H : TP3 (SIN) and TP8 (GND)

2 Connect the CH2 probe of the oscilloscope to the check pins*² of the interface unit.

*2 Output format F, G or H : TP2 (COS) and TP8 (GND)

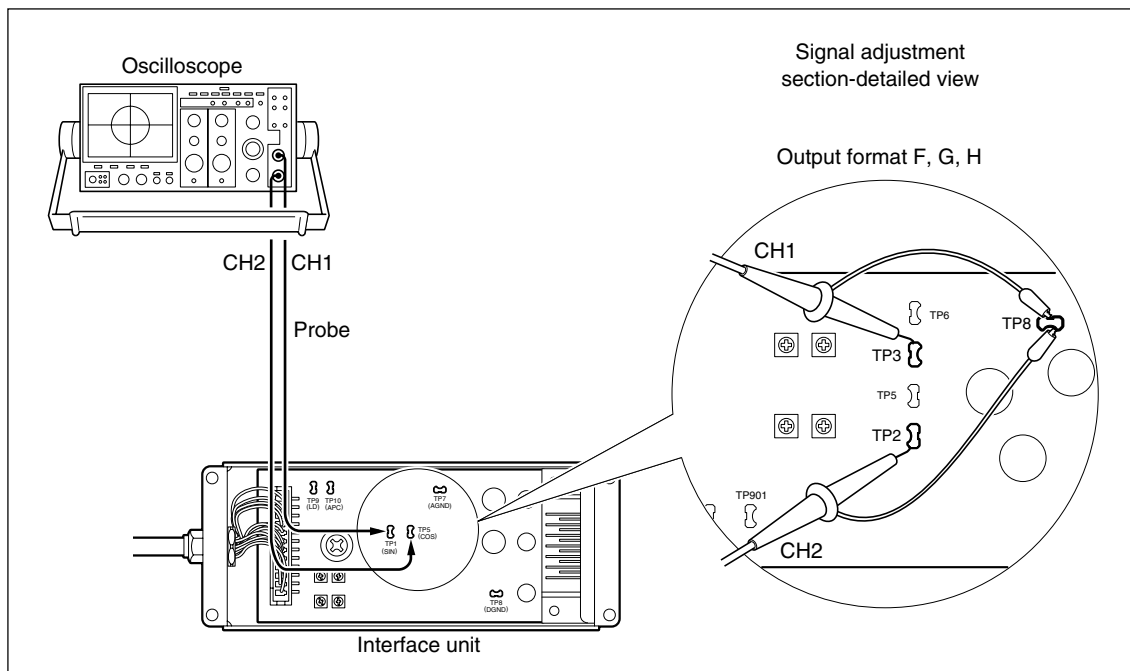


Fig. 3-14

3 Set the TIME/DIV switch to the X-Y mode.

4 Set the deviation sensitivity (VOLTS/DIV) of CH1 and CH2 to 0.5 V/DIV.

5 Set the input coupling switches of CH1 and CH2 of the oscilloscope to GND, and adjust the position of the oscilloscope so that the signal appears at the bottom left of the screen.

6 Set the input coupling switches of CH1 and CH2 of the oscilloscope to DC.

7 Turn the interface unit's power on.

Note

Be sure that the interface unit is turned off before attaching or removing the probe of the oscilloscope.

3-5-2. Azimuth Adjustment

The direction shown in the figure below is referred to as the azimuth direction. A stable output signal within the range of the specified values can be obtained by adjusting the detector head direction.

<Specified values>

A/B signal output type Output format F : Amplitude 0.7 Vp-p to 1.3 Vp-p

Output format G : Amplitude 0.8 Vp-p to 1.2 Vp-p

Analog output type Output format H : Amplitude 0.6 Vp-p to 1.1 Vp-p

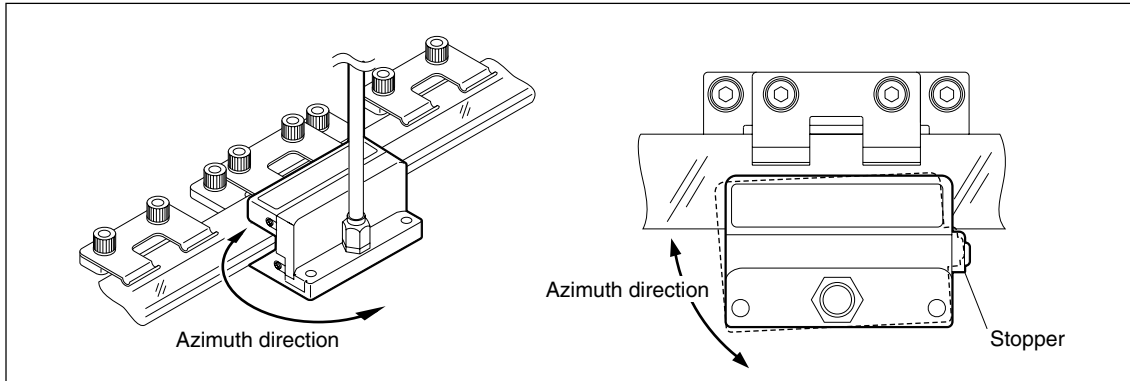


Fig. 3-15

- 1 Loosen the detector head mounting screws, and then bring the stopper directly against the scale bottom surface.
- 2 Rotate the detector head about the stopper in the azimuth direction as shown in Fig. 3-15 to find the location where the Lissajous' figure has the **maximum** amplitude.
- 3 Alternately tighten the two detector head mounting screws little by little at the detector head position with the maximum amplitude of the Lissajous' figure. (Fastening torque: 1.4 N · m)
- 4 Check that there is no interference between the scale and detector head.

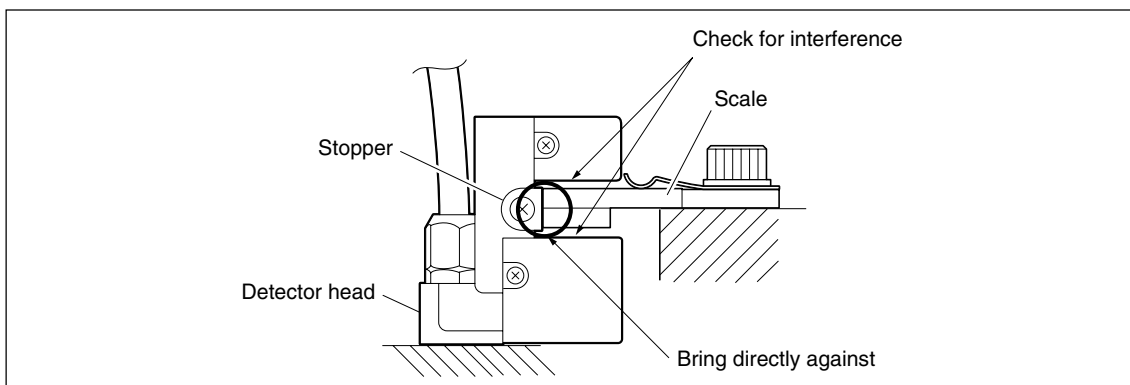


Fig. 3-16

Note

Do not move the machine device with the stopper attached to detector head because this may result in breakage of the detector head or the scale.

5 Remove the stopper from the detector head.

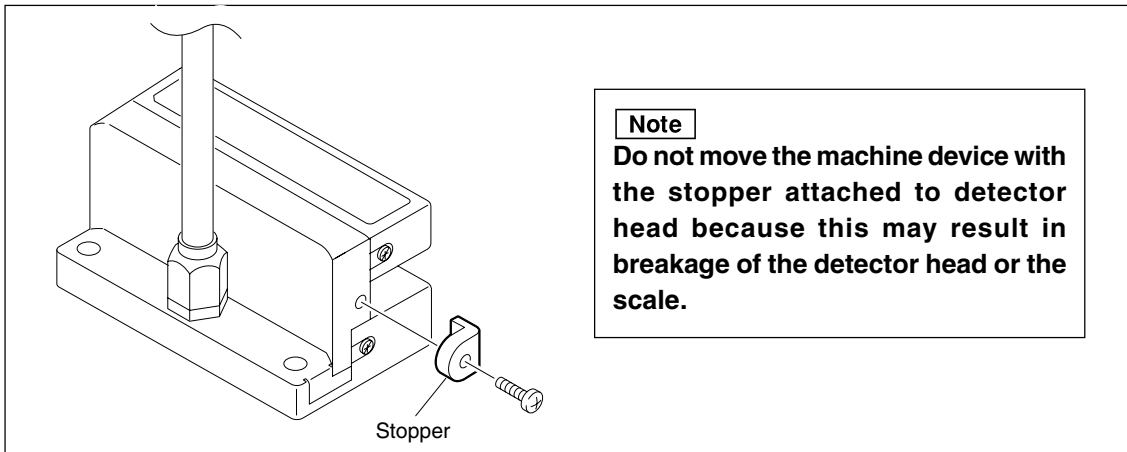


Fig. 3-17

6 Move the scale, and make sure that the amplitudes A and B (see Fig. 3-18) of the Lissajous' figure are within the range of the specified values over the entire length.

<Specified values>

A/B signal output type Output format F : Amplitude 0.7 Vp-p to 1.3 Vp-p

Output format G : Amplitude 0.8 Vp-p to 1.2 Vp-p

Analog output type Output format H : Amplitude 0.6 Vp-p to 1.1 Vp-p

Note

The center of the Lissajous' figure is 2.5 V.

If the output of 1 Vp-p cannot be obtained even through repeated adjustment, recheck the mounting surface accuracy of the scale and detector head (refer to pages 3-3 to 3-4), and check again that there is no dirt on the scale's surface.

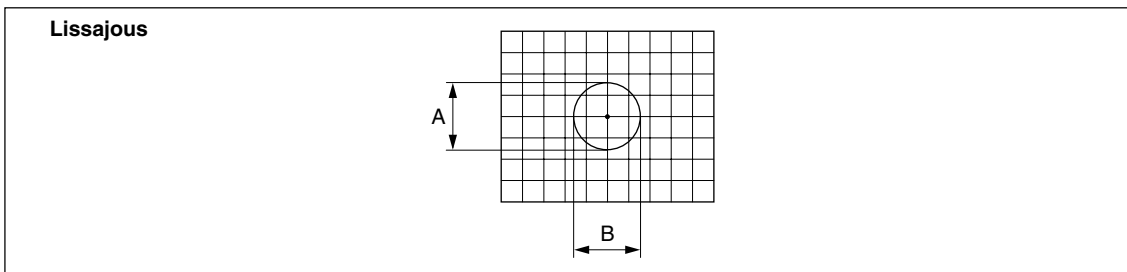


Fig. 3-18

3-6. Completion of Mounting and Adjustment

- Secure the cable with the supplied cable clamp and pan-head screw (M4 × 8).
- Before using the scale to perform measurements, allow the scale to set for about three hours after mounting so that the secured parts can stabilize and the ambient temperature around the scale can stabilize.

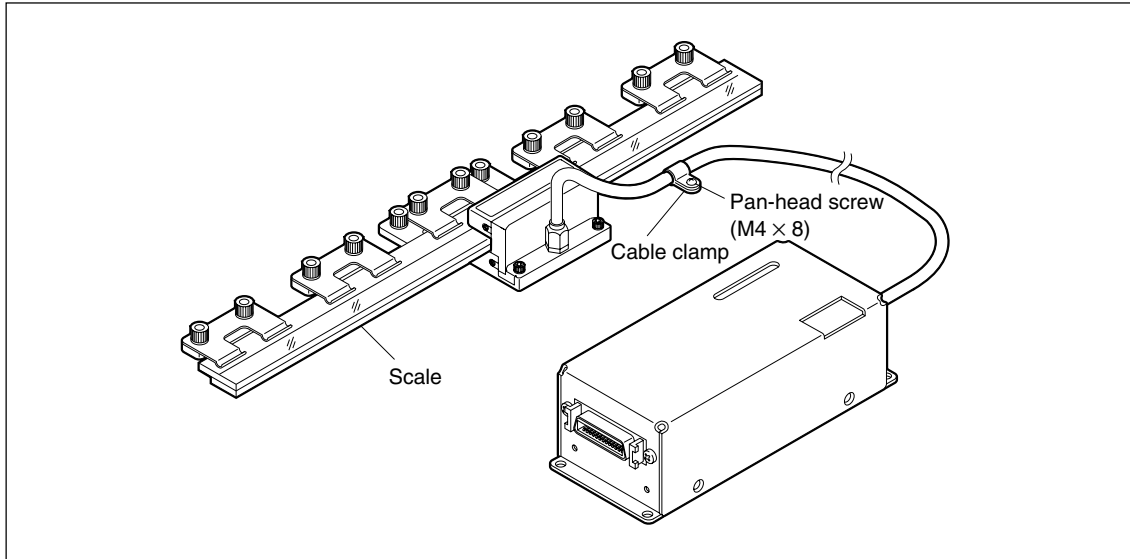


Fig. 3-19

4. Interface Unit

4-1. Removing and Attaching the Interface Unit Cover

To set or check the functions, remove the four screws, and then take off the interface unit cover. When attaching the interface unit cover, place the cover so that the protruding surface is on the connector side, and then retighten the removed screws in their original positions.

Tightening torque 0.3 N · m

Note

- Be careful not to lose the screws when you remove them.
- When attaching the interface unit cover, be sure that the protruding surface is on the connector side.

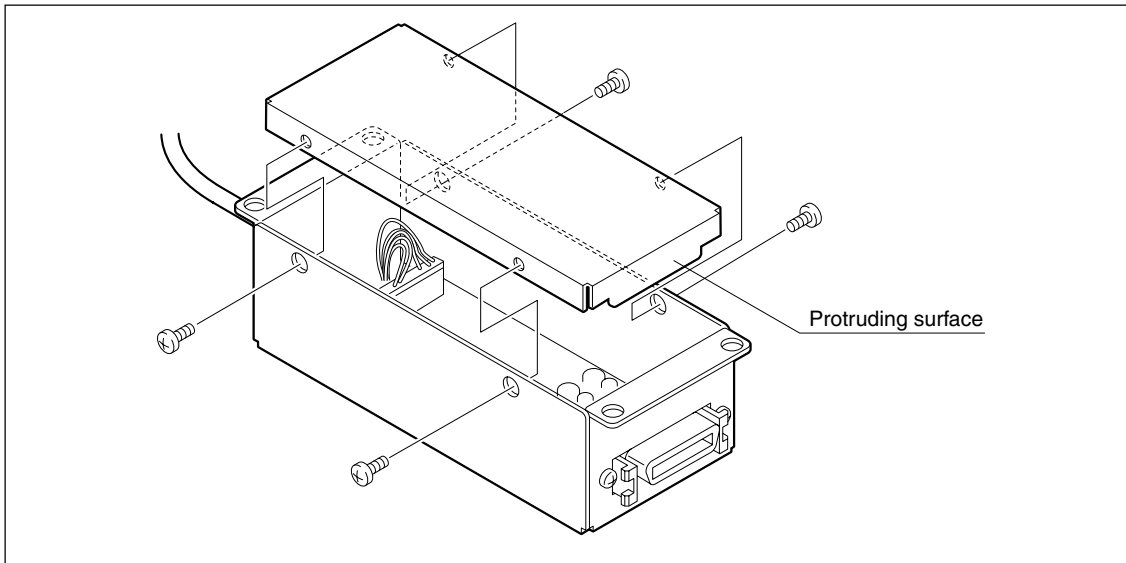


Fig. 4-1

4-2. Installing the Interface Unit

Use the supplied screws to secure and attach the interface unit.

Firmly screw in the output connector.

Screw/Tightening torque ... M2.6 × 5: 4 pcs. / 0.8 N · m

Note

Do not insert or remove the output connector while power is supplied to the interface unit.

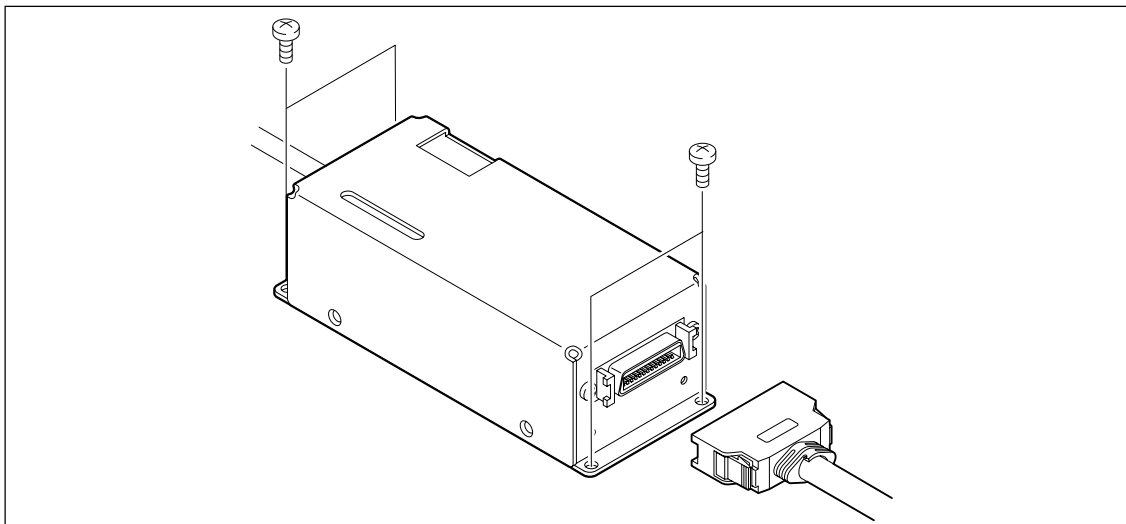


Fig. 4-2

4-3. Names of LEDs

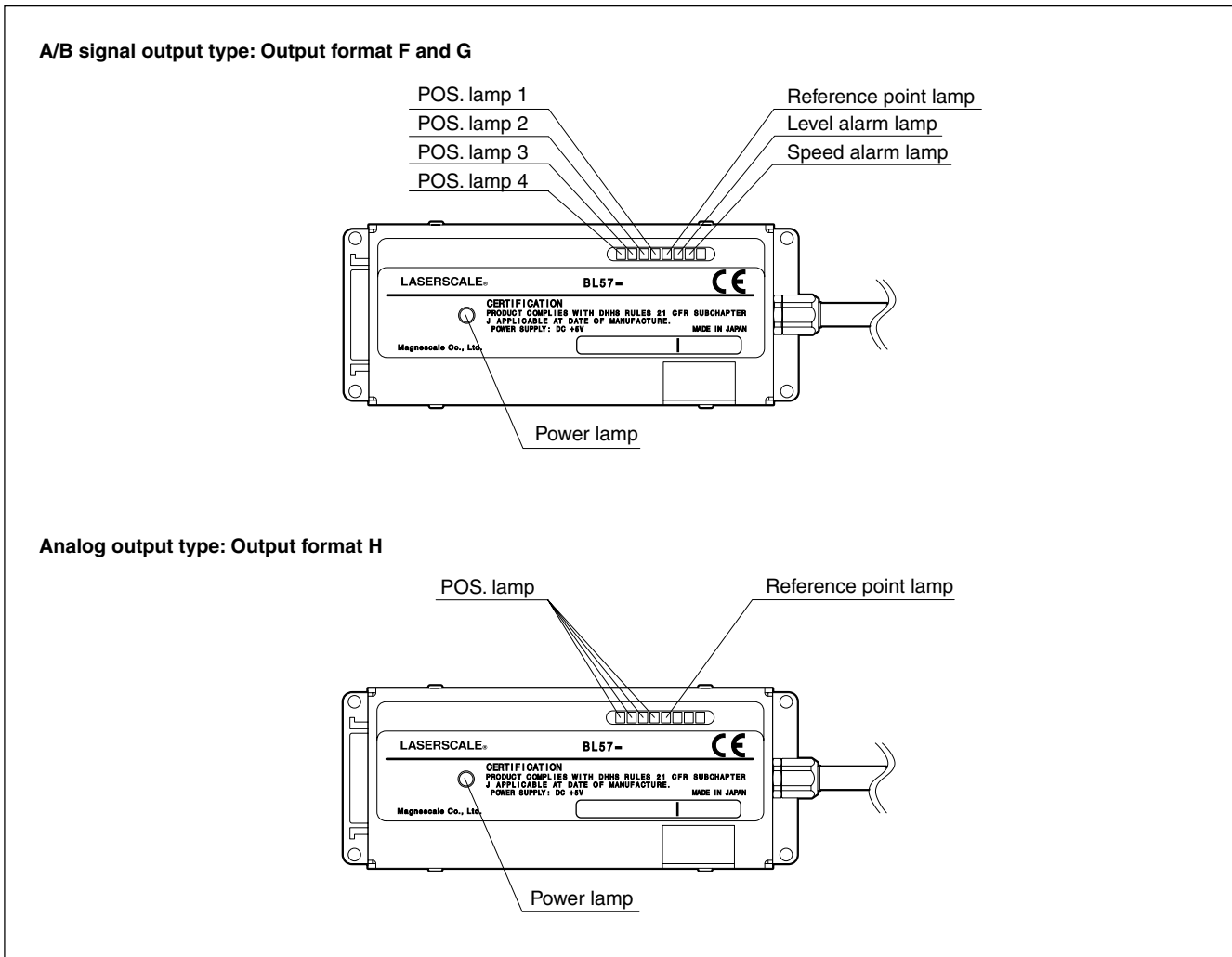


Fig. 4-3

4-4. MODE Switch

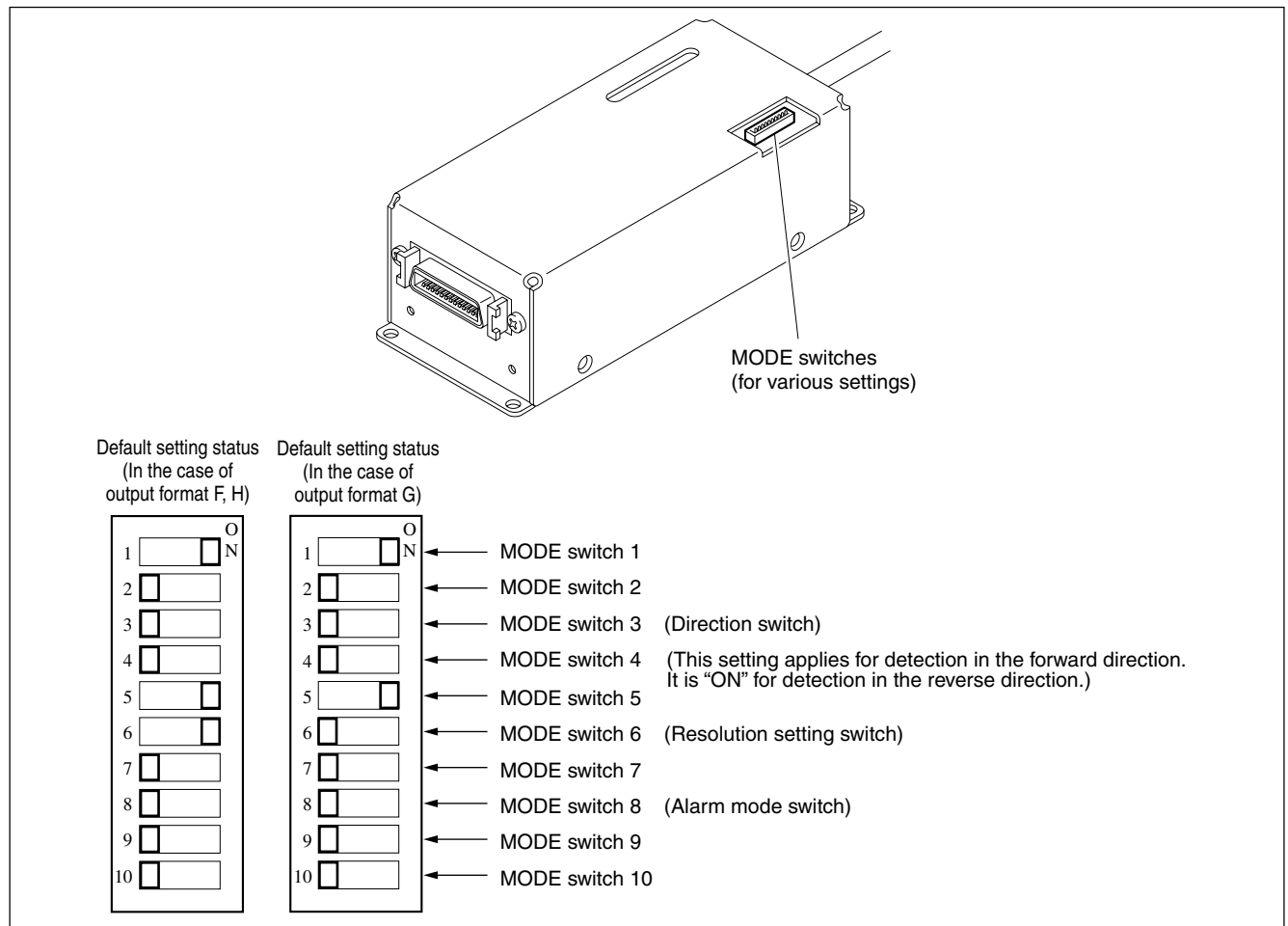


Fig. 4-4

MODE switches	A/B signal output type (Output format F, G)	Analog output type (Output format H)																																			
1, 2	POS. lamps light <table border="1"> <tr> <td>4</td> <td>○</td> <td>→</td> <td>MODE switch 1</td> <td>MODE switch 2</td> </tr> <tr> <td></td> <td></td> <td></td> <td>OFF</td> <td>OFF</td> </tr> <tr> <td>3</td> <td>○</td> <td>→</td> <td>ON</td> <td>OFF</td> </tr> <tr> <td></td> <td></td> <td></td> <td>OFF</td> <td>ON</td> </tr> <tr> <td>2</td> <td>○</td> <td>→</td> <td>OFF</td> <td>ON</td> </tr> <tr> <td></td> <td></td> <td></td> <td>ON</td> <td>ON</td> </tr> <tr> <td>1</td> <td>○</td> <td>→</td> <td>ON</td> <td>ON</td> </tr> </table>	4	○	→	MODE switch 1	MODE switch 2				OFF	OFF	3	○	→	ON	OFF				OFF	ON	2	○	→	OFF	ON				ON	ON	1	○	→	ON	ON	MODE switch 1 Always ON MODE switch 2 Always OFF
4	○	→	MODE switch 1	MODE switch 2																																	
			OFF	OFF																																	
3	○	→	ON	OFF																																	
			OFF	ON																																	
2	○	→	OFF	ON																																	
			ON	ON																																	
1	○	→	ON	ON																																	
3	ON B signal is leading OFF A signal is leading	Always OFF																																			
4	ON Reverse direction (default setting established at factory) OFF Forward direction (default setting established at factory)	ON Reverse direction (default setting established at factory) OFF ... Forward direction (default setting established at factory)																																			
5	Normally ON OFF only during reference point adjustment	Always ON																																			
6	Output format F: ON 0.1 μm OFF 0.05 μm Output format G: ON 0.02 μm OFF 0.01 μm	Always ON																																			
7	ON Outputs reference point signal in single direction only OFF ... Outputs reference point signal in both directions (However, the reference point position is shifted by approximately 4 mm.)	ON Outputs reference point signal in single direction only OFF ... Outputs reference point signal in both directions (However, the reference point position is shifted by approximately 4 mm.)																																			
8	ON Hold Mode OFF Automatic Reset Mode	Always OFF																																			
9	ON Reverse direction OFF ... Forward direction	ON ... Reverse direction OFF .. Forward direction																																			
10	ON 1/4 Reference Point Mode OFF Reference Point Mode	Always OFF																																			

4-4-1. Detailed Description of MODE Switches

A/B signal output types

MODE switches 1 and 2 (Reference point POS1 and POS2 switches)

The positional relationship between the entered reference point gate signal and scale signal must be preset in order to output a reference point in synchronization with the A/B signal. The phase relationship is set by these two switches.

For more information, see section 4-5-4, “Adjusting the Reference Point.”

MODE switch 3 (Direction switch)

This switch is used to change the positional relationship between scale movement direction and A/B signal.

For more information, see section 4-5-1, “Changing the Direction.”

MODE switch 4 (Default reference point detection direction setting switch)

This switch is used to set the default reference point detection directions.

Its default settings which are established at the factory are OFF for reference point detection in the forward direction and ON for reference point detection in the reverse direction. (There is no need for the user to set this switch.)

For more information, see section 4-5-5, “Setting the Reference Point Output and Reference Point Detection Direction.”

MODE switch 5 (Reference point adjustment mode switch)

This switch is used to switch between interpolation mode and reference point adjustment mode.

Normally, use this switch in the ON setting.

For more information, see section 4-5-4, “Adjusting the Reference Point.”

MODE switch 6 (Resolution setting switch)

This switch is used to set the resolution. For output form F types, setting this switch to ON sets 0.1 μm and setting to OFF sets 0.05 μm . For G types, setting to ON sets 0.02 μm and setting to OFF sets 0.01 μm .

MODE switch 7 (Reference point output selector switch)

This switch is used to switch the reference point output between single direction and both directions.

For more information, see section 4-5-5, “Setting the Reference Point Output and Reference Point Detection Direction.”

MODE switch 8 (Alarm mode switch)

This switch is used to select the alarm output format.

For more information, see section 4-5-6, “Setting the Alarm Reset Mode.”

MODE switch 9 (Reference point detection direction selector switch)

This switch is used to set the reference point detection direction (direction that the reference point signal is output).

For more information, see section 4-5-5, “Setting the Reference Point Output and Reference Point Detection Direction.”

MODE switch 10 (Reference point mode switch)

This switch is used to change the output width of the reference point.

For more information, see section 4-5-3, “Setting the Reference Point Output Signal Width.”

Analog output types

Always use the settings in Table 4-1 except for the switches below.

The description of the switches below is identical to the A/B signal output types.

Analog output types do not have alarm output.

Also, the reference point output signal width cannot be changed.

MODE switch 4 (Default reference point detection direction setting switch)

MODE switch 7 (Reference point output selector switch)

MODE switch 9 (Reference point detection direction selector switch)

4-5. Changing the Settings

For analog output types, only make the settings in section 4-5-5, “Setting the Reference Point Output and Reference Point Detection Direction.” Always use the settings in Table 4-1 for analog output types, except for the settings in section 4-5-5, “Setting the Reference Point Output and Reference Point Detection Direction.”

4-5-1. Changing the Direction

MODE switch 3 (Direction switch) is used to change the positional relationship of the A/B signal with respect to the scale movement direction.

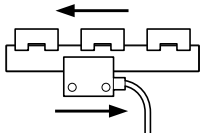
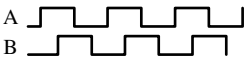
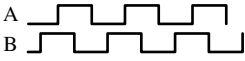
MODE switch 3		Moves to head cable side
OFF		A signal is leading
ON		B signal is leading

Table 4-2

4-5-2. Changing the Resolution

MODE switch 6 (resolution setting switch) is used to change the resolution of the A/B signal output type.

In the case of output format F: ON = 0.1 μm

In the case of output format G: ON = 0.02 μm

OFF = 0.05 μm

OFF = 0.01 μm

4-5-3. Setting the Reference Point Output Signal Width

The width of the reference point output signal can be changed by MODE switch 10 (reference point mode switch).

MODE switch 10 (reference point mode switch)	Reference point output signal width
ON	1/4 reference point mode The reference point signal is output in synchronization when both the A and B signal are at the high level.
OFF	Reference point mode The reference point signal is output in synchronization during the one cycle of the A signal.

Table 4-3

4-5-4. Adjusting the Reference Point

The positional relationship between the selected position for the reference point gate and scale signal must be set in order to output a reference point in synchronization with the A/B signal. This adjustment and setting uses the synchronization with the A/B signal to prevent shifting of the reference point position even if the gate signal for the reference point is shifted slightly due to the temperature, electrical characteristics, or other factors.

After the scale is attached, be sure to always perform the adjustments and settings using the following procedure.



Fig. 4-5

- 1 Move the head in the opposite direction from where the reference point is captured. For instance, for forward direction reference point detection, move the head (the scale in the case of scale movement) as shown in ②, and pass through the reference point.
- 2 Set MODE switch 5 (reference point adjustment mode switch) to OFF. The system changes to reference point setting mode, and all POS. lamps turn off.
- 3 Move the head (the scale in the case of scale movement) in the direction where the reference point is captured, and pass through the reference point.
- 4 One of the POS. lamps turns on.
- 5 Set MODE switches 1 and 2 (reference point POS1 and POS2 switches) corresponding to the POS. lamps that are on as shown in Table 4-4.

POS. lamps	MODE settings	
	1	2
4 ○ →	OFF	OFF
3 ○ →	ON	OFF
2 ○ →	OFF	ON
1 ○ →	ON	ON

Table 4-4

- 6 Set MODE switch 5 (reference point adjustment mode switch) to ON.

Note

- To increase the reproducibility of the synchronous reference point, be sure that the encoder passes through the reference point at the same speed when the reference point was originally set and when detecting the reference point at the beginning of work.
For the analog output type, perform detection of the reference point at a speed of 150 mm/s or less.
- The reference point position can be verified using the reference point lamp. The reference point lamp turns off when the reference point is detected. (It is normally on.) After the reference point is detected, it remains off for a distance of about 4 mm.

4-5-5. Setting the Reference Point Output and Reference Point Detection Direction

The MODE switch 7 (Reference point output selector switch) is used to set the reference point output to output in a single direction or output in both directions. When set to single direction (ON), the reference point detection direction can be set.

Note

If MODE switch 7 (Reference point output selector switch) is set to both directions (OFF), MODE switch 4 (Default reference point detection direction setting switch) and MODE switch 9 (Reference point detection direction selector switch) are disabled.

- 1** Make the setting for MODE switch 7.
 - ON Outputs the reference point signal in a single direction
 - OFF Outputs reference point signal in both directions (However, the reference point position is shifted by approximately 4 mm when detecting in the opposite direction from the default reference point detection direction.)

If the switch is set to OFF, the procedure is completed.
Perform the procedure starting from step 2 only if the switch is set to ON.

- 2** Use MODE switch 4 to set the default reference point detection direction.
 - ON Default reference point detection is in the reverse direction
 - OFF Default reference point detection is in the forward direction



- 3** Use MODE switch 9 to set the reference point detection direction.
In this case, the reference point detection position is not shifted even if the detection direction is opposite the default reference point detection direction.



4-5-6. Setting the Alarm Reset Mode

The MODE switch 8 (alarm mode switch) setting is used to switch between the automatic reset mode for automatically resetting the alarm or the hold mode for holding the alarm until the power is turned on again.

Automatic reset mode

The alarm signal is output for approximately 400 ms. The alarm is automatically reset after approximately 400 ms if the cause of the alarm is cleared within this time. If the cause of the alarm is not cleared within approximately 400 ms, it will be reset once the cause of the alarm has been cleared.

This mode is the default setting.

Hold mode

When the scale is in alarm status, the alarm status continues to be held even after the element causing the alarm is removed. The alarm is reset when the power is turned off and then on again if the cause of the alarm has been cleared.

MODE switch 8 (alarm mode switch)	Alarm mode
OFF	Automatic reset mode
ON	Hold mode

Table 4-5

During an alarm status, the A/B output signal is high impedance, and also an alarm signal is output.

5. Scale Signal Output

5-1. A/B Signal and Alarm Output Specifications (For output formats F and G)

- The output specifications are compliant with EIA-422.
- A/B signal minimum phase difference t : 38 ns

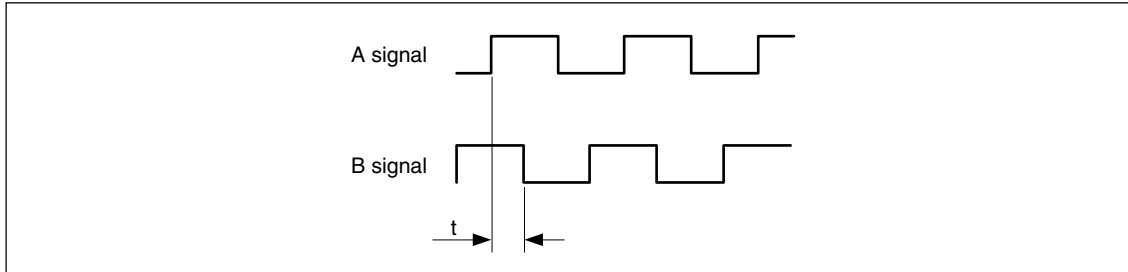


Fig. 5-1

Note

- An error of about 38 ns is generated due to the synchronization of the A/B signal by the 26.3 MHz internal clock.
- The minimum phase error can vary depending on the length of the output cable, cable capacity, receiver load, and other factors.

5-2. Analog Output Specifications (For output format H)

SIN/COS output specifications

(Over the entire length and the entire operating temperature range)

Item	Symbol	Specifications			Units	Remarks
		Min.	Typ.	Max.		
Output signal amplitude	$(+V_A) - (-V_A), (+V_B) - (-V_B)$	0.6	1	1.2	Vp-p	Note 1
Output signal phase difference		80	90	100	deg	
Center voltage	$+V_{OA}, +V_{OB}, -V_{OA}, -V_{OB}$	2.3	2.5	2.7	V	
Offset voltage	$(+V_{OA}) - (-V_{OA}),$ $(+V_{OB}) - (-V_{OB})$	-50	0	50	mV	
Gain unbalance		-6	0	6	%	System 1
Load resistance			120		Ω	

Table 5-1

Note 1: When terminator $Z_0 = 120 \Omega$ supply voltage = $5 V \pm 5 \%$ (voltage of load resistance at both ends)

System 1: $\frac{A \text{ signal output voltage p-p value} - AB \text{ signal output average}}{AB \text{ signal output average}} \times 100$

where

$$AB \text{ signal output average} = \frac{A \text{ signal output voltage p-p value} - B \text{ signal output voltage p-p value}}{2}$$

Output waveform diagram (when each output is viewed based on 0 V)

The A signal corresponds to SIN, and the B signal corresponds to COS.

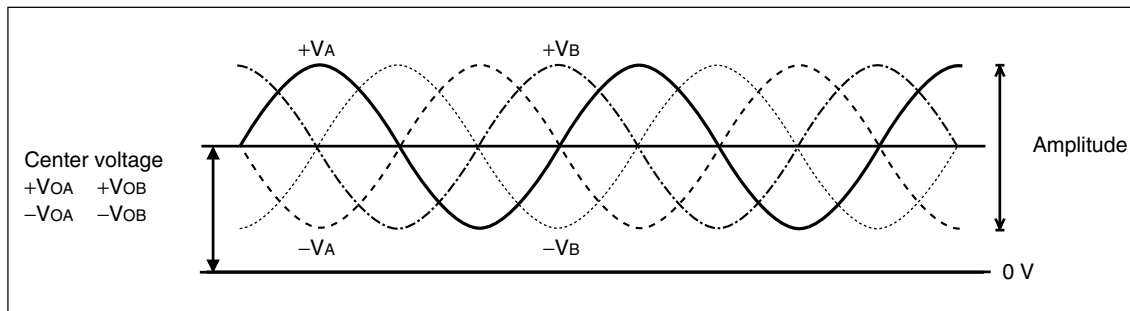


Fig. 5-2

Reference point output specifications

The output specifications are compliant with EIA-422.
 (Over the entire length and the entire operating temperature range)

Item	Symbol	Specifications			Units
		Min.	Typ.	Max.	
"H" level output	VoZH	2.5	3.4	5	V
"L" level output	VoZL	0	0.3	0.5	V

Table 5-2

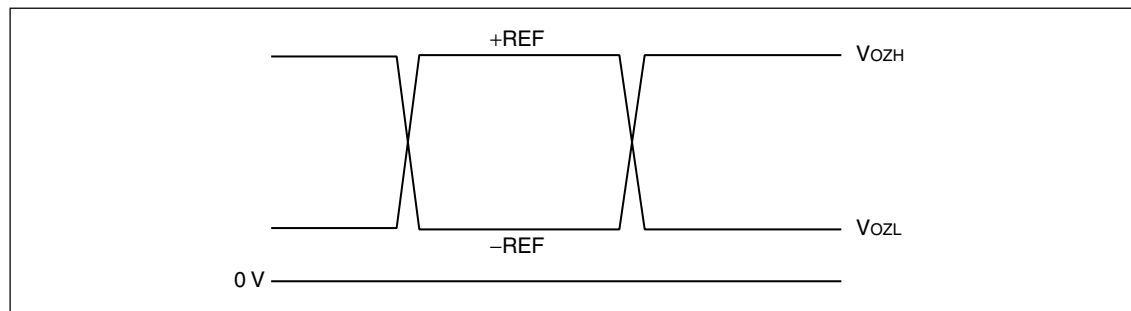


Fig. 5-3

Reference point signal and SIN and COS signal phases

Item	Specifications		
	Min.	Typ.	Max.
Reference point signal width (Lz)	0.32 μm	0.4 μm	0.48 μm
Position of reference point signal edge a with respect to SIN signal	0 $^\circ$		90 $^\circ$

Table 5-3

Reference point waveform diagram

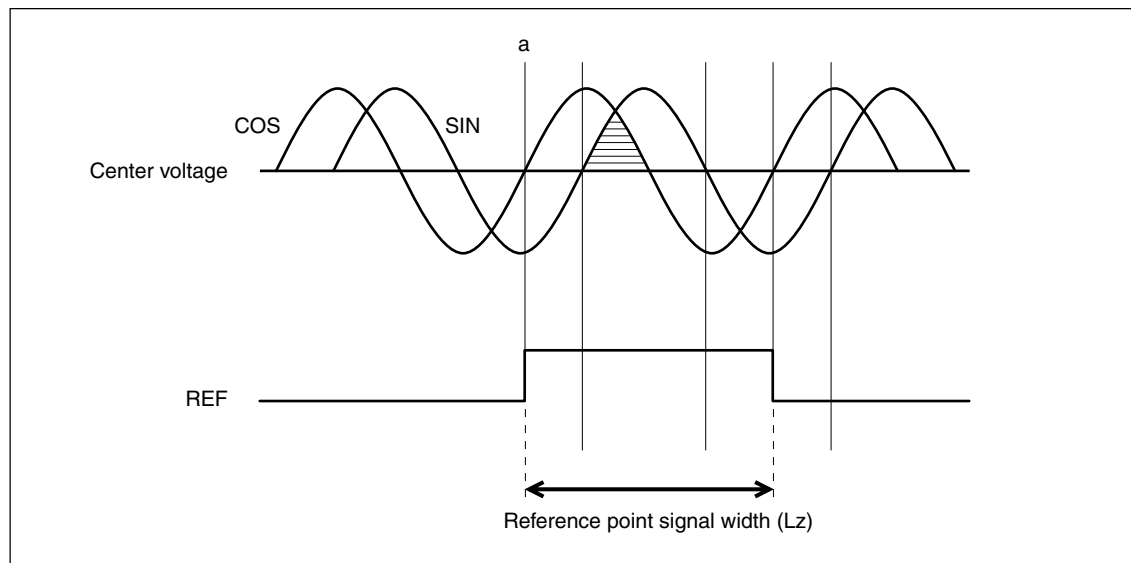


Fig. 5-4

6. Input/Output Connectors

6-1. Connectors

Interface unit side:

- A/B signal output : 10226-52A2PL (manufactured by SUMITOMO 3M Limited)
- Analog output : D02-M15SAG-26L9E (manufactured by Japan Aviation Electronics Industry, Limited)

Cable side:

- A/B signal output : Plug 10126-3000PE (manufactured by SUMITOMO 3M Limited)
- : Shell 10326-52F0-00S (manufactured by SUMITOMO 3M Limited)
- Analog output : Plug D02-M15PG-N-F0 (manufactured by Japan Aviation Electronics Industry, Limited)
- : Contact When AWG24 wire is used
D02-22-22P-PKG100 (manufactured by Japan Aviation Electronics Industry, Limited)
- : Contact When AWG26-28 wire is used
D02-22-26P-PKG100 (manufactured by Japan Aviation Electronics Industry, Limited)
- : Shell DE-C8-J9-F2-1R (manufactured by Japan Aviation Electronics Industry, Limited)

Pin arrangement	Input/output specifications	
	A/B signal output (Output format F, G)	Analog output (Output format H)
1	A	+COS
2	* A	-COS
3	B	+SIN
4	* B	-SIN
5	REF	(Not connectable)
6	* REF	0 V (power supply)
7	+5 V (power supply)	0 V S
8	ALM	(Not connectable)
9	+5 V (power supply)	+5 V (power supply)
10	* ALM	+5 V S
11	+5 V S	+REF
12	(Not connectable)	-REF
13	+5 V (power supply)	(Not connectable)
14	SIN (M)	(Not connectable)
15	0 V (power supply)	(Not connectable)
16	COS (M)	
17	0 V (power supply)	
18	(Not connectable)	
19	0 V S	
20	(Not connectable)	
21	0 V (M)	
22	(Not connectable)	
23	0 V (power supply)	
24	(Not connectable)	
25	0 V (signal)	
26	(Not connectable)	

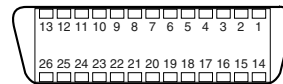


Fig. 6-1 A/B signal output

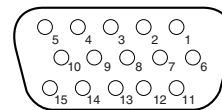


Fig. 6-2 Analog output

Table 6-1

Note

- 0 V is the circuit ground, and it is not connected to the frame ground.
- Make sure that the power supply voltage is 5 V DC $\pm 5\%$ at the input connector to the interface unit.
- +5 V S and 0 V S are for checking the voltage (remote sensing function) applied to the input connector of the interface unit. These voltages can be used to check and control for drops in the supply voltage due to the cables. When using a power supply that cannot control power supply fluctuations, a power supply input terminal can be used to reduce the supply voltage drops occurring due to the cable length. In this case, connect the cable to the respective +5 V or 0 V power supply.
- The appropriate cable thickness is AWG28 to AWG24.
- Connect all of the 0 V terminals to prevent mis-wiring.
- Use shielded cables for all cabling. Connect the shield to the connector shell.
- Use twisted-pair cables for the output signals.

Use cables so that the following signals are paired:

A and *A, B and *B, REF and *REF, +SIN and -SIN, +COS and -COS, +REF and -REF, ALM and *ALM.

- For output format F or G, SIN (M) and COS (M) are dedicated signals for checking the scale signal level. Never connect them to a device other than the oscilloscope. Also, use 0 V (M) for the GND.

6-2. Connection Specifications

6-2-1. A/B Signal Output Type

The line driver used by Magnescale Co., Ltd. is compliant with EIA-422.

Also, based on the EIA-422 standards, the common mode voltage between the line driver and line receiver is stipulated as ± 12 V.

(Using the scale when the common mode voltage of ± 12 V is exceeded can damage the scale.)

To prevent problems between the control devices connected to this Magnescale Co., Ltd. product, it is recommended that you connect (shared connection) the signal ground (power supply ground) and set the load resistance to 120Ω . Twisted pair cables (1 turn/1 inch min.) with a core thickness of at least AWG28 are recommended for the differential signal cables.

(It is even better if the characteristic differential impedance is the same as the load resistance value.)

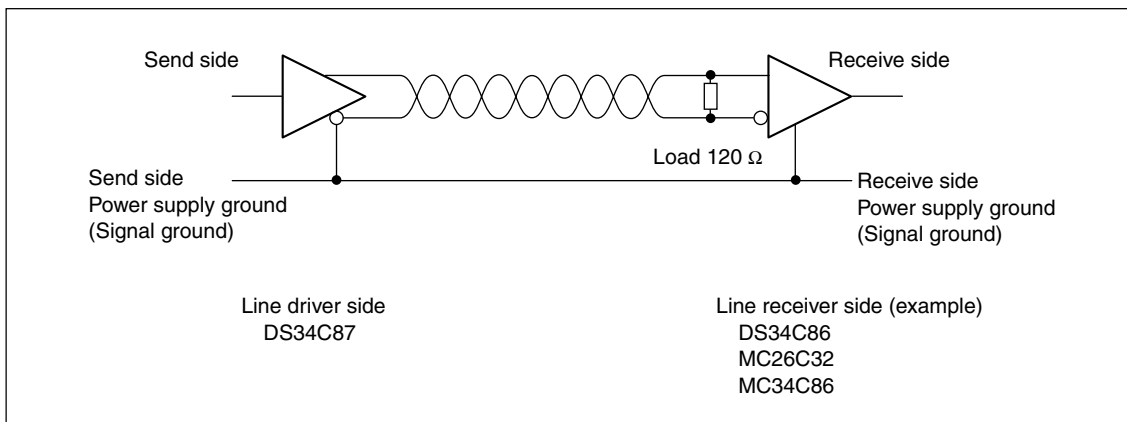


Fig. 6-3

Receiving power supplied from the controller

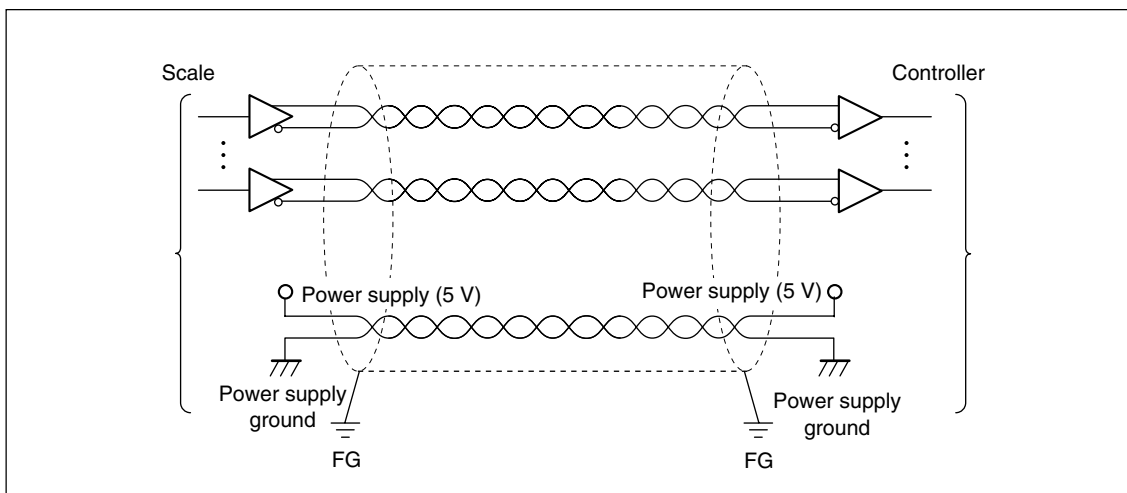


Fig. 6-4

Receiving power supplied from sources other than the controller

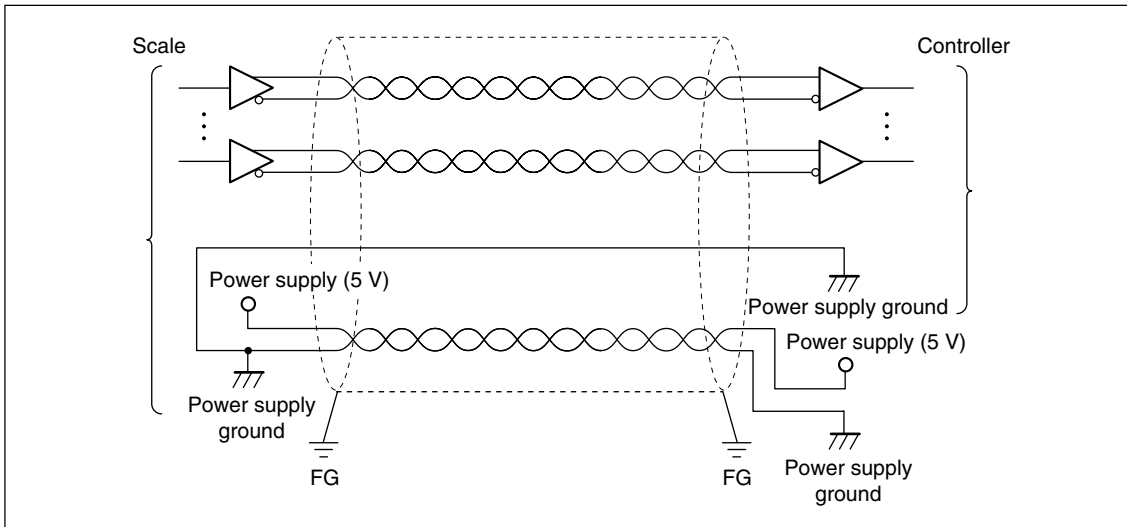


Fig. 6-5

When receiving power from sources other than the controller, the controller's power supply ground and the power supply ground of the power supply unit have the same potential.

Note

The system will not be compliant with EN61000-6-2 if the power supply line exceeds 10 m. Devise and implement measures to prevent surges.

6-2-2. Analog Output Type

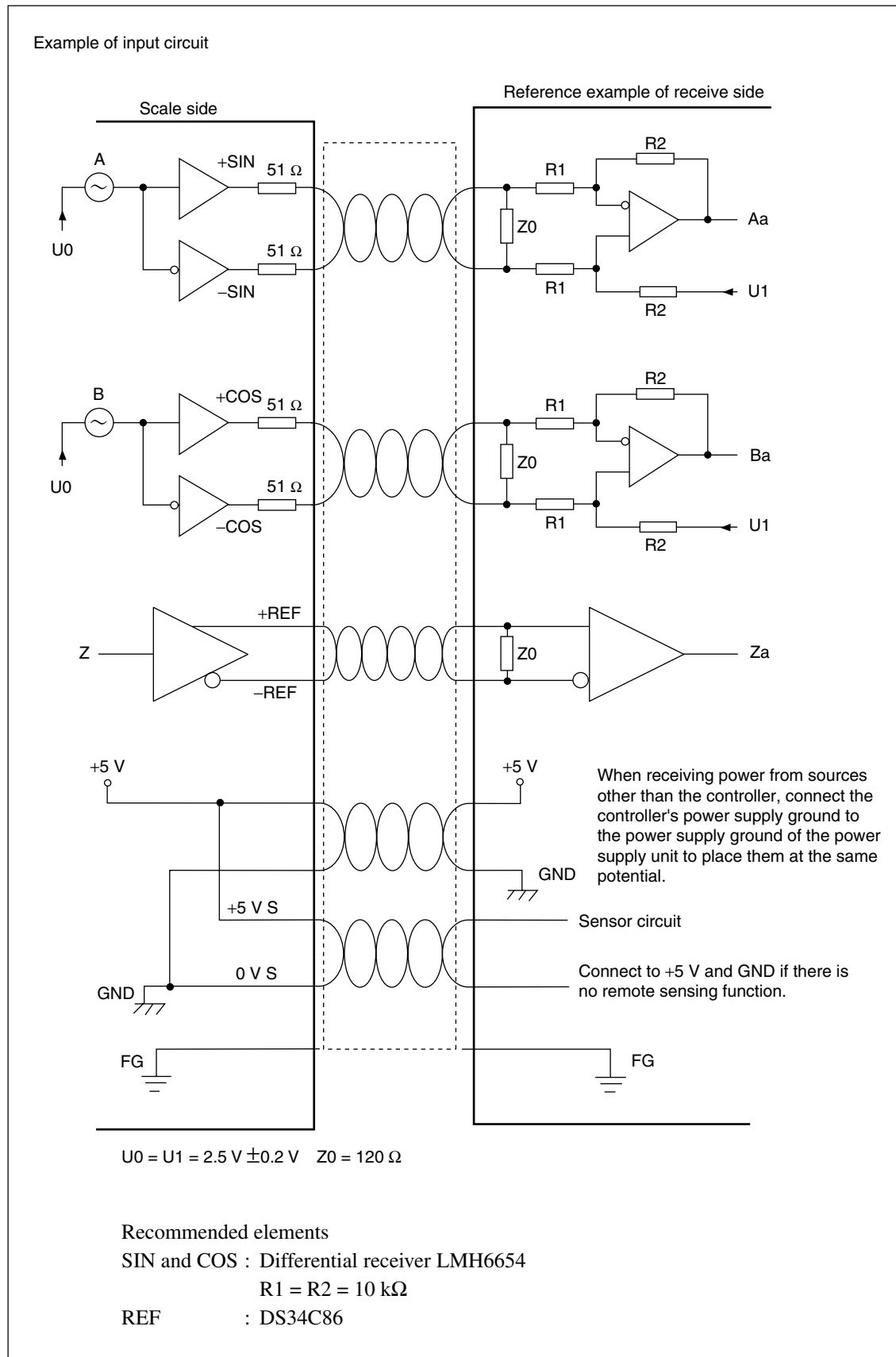


Fig. 6-6

6-2-3. Output Cable Length (For analog output only)

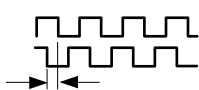

There is a correlation between the maximum response speed and output cable length.

Cable length (m)	Maximum response speed (mm/s)
3	3000
9	2330
15	1660

Note

- The system will not be compliant with EN61000-6-2 if the power supply line exceeds 10 m. Devise and implement measures to prevent surges.
- The maximum response speed varies depending upon the resistance of the output cable, cable capacity, receiver load, and so on.

7. Main Specifications

Model		F	G	H
Output format		A/B signal output type		Analog output type
Detection system		Diffraction grating scanning system		
Scale length (Neoceram)	Measuring length (mm)	30, 60, 110, 160, 210, 260, 310, 360, 410		
	Scale's max. travel	Measuring length +10 mm (5 mm on each side)		
	Scale overall length	Measuring length +36 mm		
Scale length (Soda lime glass)	Measuring length (mm)	60, 160, 260, 360, 460, 560, 660, 760, 860, 960, 1060		
	Scale's max. travel	Measuring length +10 mm (5 mm on each side)		
	Scale overall length	Measuring length +36 mm		
Grating pitch		1.6 μm		
Signal pitch		0.4 μm		
Output signal		Differential (compliant with EIA-422)		Differential (compliant with EIA-422 for reference point output specification only)
Output resolution		0.1/0.05 μm (selectable)	0.02/0.01 μm (selectable)	0.4 μm (1 Vp-p)
Scale accuracy		$\pm 0.5 \mu\text{m}$ (30 to 170 mm), $\pm 1.0 \mu\text{m}$ (220 to 370 mm), $\pm 1.5 \mu\text{m}$ (420 or higher)		
Repeatability		0.05 μm or less		
Return error		0.05 μm or less		
Temperature expansion coefficient		Neoceram $-0.7 \times 10^{-6} / ^\circ\text{C}$. Soda lime glass $8 \times 10^{-6} / ^\circ\text{C}$		
Maximum response speed		1500 mm/s (0.1 μm) 650 mm/s (0.05 μm)	300 mm/s (0.02 μm) 120 mm/s (0.01 μm)	3000 mm/s (Note 1)
		Minimum phase difference: 38 ns 	Minimum phase difference: 38 ns	Max: 7.5 MHz 
Alarms		Max. response speed exceeded or None Signal level error; When one of these states occurs, the output signal becomes high impedance.		None
Reference point position		Any selected point (within the measuring length range)		
Reference point accuracy (at 20 $^\circ\text{C}$)		$\pm 0.4 \mu\text{m}$ (varies depending on machine traveling)		
Reference point output signal		Unidirectional synchronous reference point (position and detection direction designed)		
Head cable	Cable length	1 m (Note 4)		
	Bending radius	Static: 10 mm		
Output cable length		15 m max. (Note 2) (up to the electronic control section (connected later))		15 m max. (Note 1) (Note 2)
Power supply (Note 3)		+5 V ($\pm 5\%$)		
Consumption current		450 mA (no load)/600 mA (when using 120 Ω terminal)		
Vibration resistance		100 m/s ² (50 to 2000 Hz)		
Impact resistance		200 m/s ²		
Operating temperature range		0 to +40 $^\circ\text{C}$ (no condensation)		
Storage temperature range		-10 to +50 $^\circ\text{C}$		
Light source		Semiconductor laser Maximum output: 6 mW Wavelength: 790 nm		
Radiation power		JIS class 1 DHHS class 1		

Note 1: There is a correlation between the maximum response speed and output cable length (beyond the interface unit).

Cable length (m)	Maximum response speed (mm/s)
3	3000
9	2330
15	1660

Note 2: The system will not be compliant with EN61000-6-2 if the power supply line exceeds 10 m.
Devise and implement measures to prevent surges.

Note 3: The connector input section shall satisfy the specifications.

Note 4: Up to 3 m is available under special specifications. However, there are some limitations on the maximum response speed according to the cable length. (For a 3 m cable, this is a response speed of 2/3 of 1 m.)

Accessories

Neoceram models

Scale measuring length	30	60	110	160	210	260	310	360	410
Instruction manual	1	1	1	1	1	1	1	1	1
Reference plate	1	0	1	1	1	0	0	1	1
Reference plate W	0	1	0	0	0	1	1	0	0
Spacer	0	0	2	2	2	2	2	4	4
Scale clamp	1	2	3	3	3	4	4	5	5
Hex. socket-head cap screw (M4 × 8)	4	6	8	8	8	10	10	12	12
Plain washer (nominal size 4)	6	8	10	10	10	12	12	14	14
Hex. socket-head cap screw (M4 × 12)	2	2	2	2	2	2	2	2	2
Pan-head screw (M2.6 × 5)	4	4	4	4	4	4	4	4	4
Cable clamp	1	1	1	1	1	1	1	1	1
Pan-head screw (M4 × 8)	1	1	1	1	1	1	1	1	1
Accuracy table	1	1	1	1	1	1	1	1	1

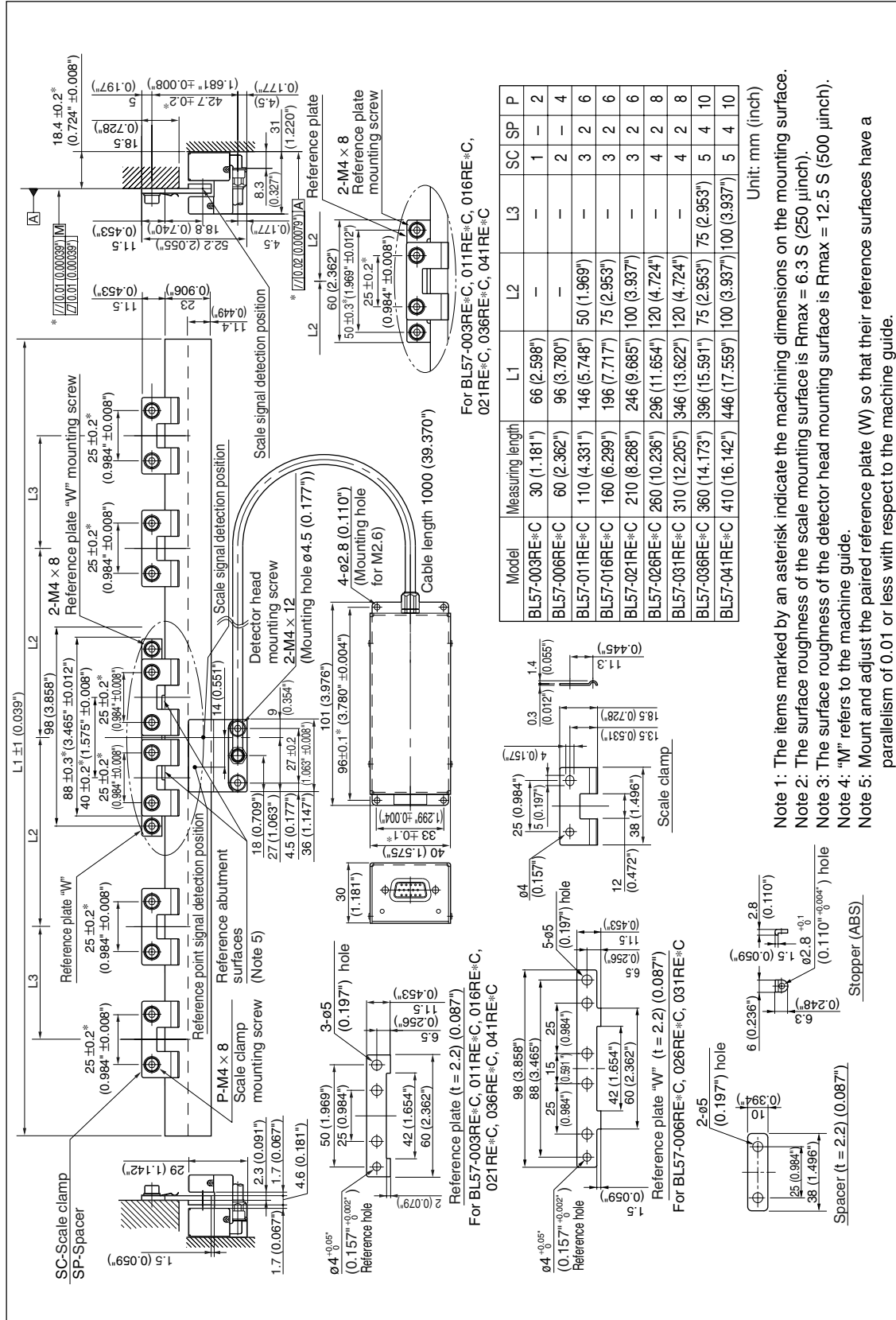
Soda lime glass models

Scale measuring length	60	160	260	360	460	560	660	760	860	960	1060
Instruction manual	1	1	1	1	1	1	1	1	1	1	1
Reference plate	0	1	0	1	0	0	0	0	0	0	0
Reference plate W	1	0	1	0	1	0	0	0	0	0	0
Reference plate D	0	0	0	0	0	2	2	2	2	2	2
Spacer	0	2	2	4	4	6	7	8	10	11	13
Scale clamp	2	3	4	5	6	8	9	10	12	13	15
Hex. socket-head cap screw (M4 × 10)	6	8	10	12	14	20	22	24	28	30	34
Plain washer (nominal size 4)	8	10	12	14	16	22	24	26	30	32	36
Hex. socket-head cap screw (M4 × 12)	2	2	2	2	2	2	2	2	2	2	2
Pan-head screw (M2.6 × 5)	4	4	4	4	4	4	4	4	4	4	4
Cable clamp	1	1	1	1	1	1	1	1	1	1	1
Pan-head screw (M4 × 8)	1	1	1	1	1	1	1	1	1	1	1
Accuracy table	1	1	1	1	1	1	1	1	1	1	1

8. Dimensions

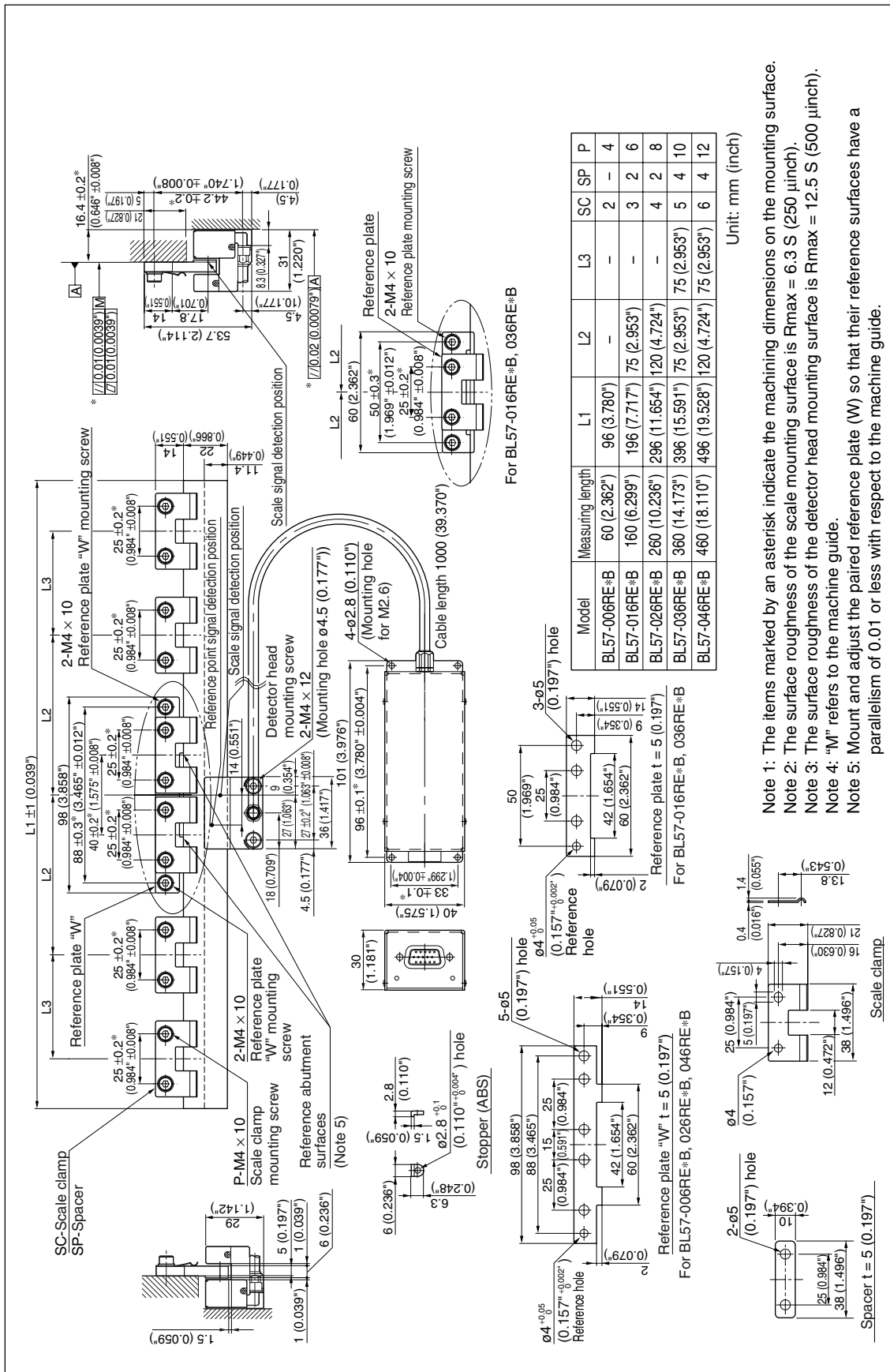
8-1. Neoceram Models

BL57-***RE*C (Measuring length 30/60/110/160/210/260/310/360/410)

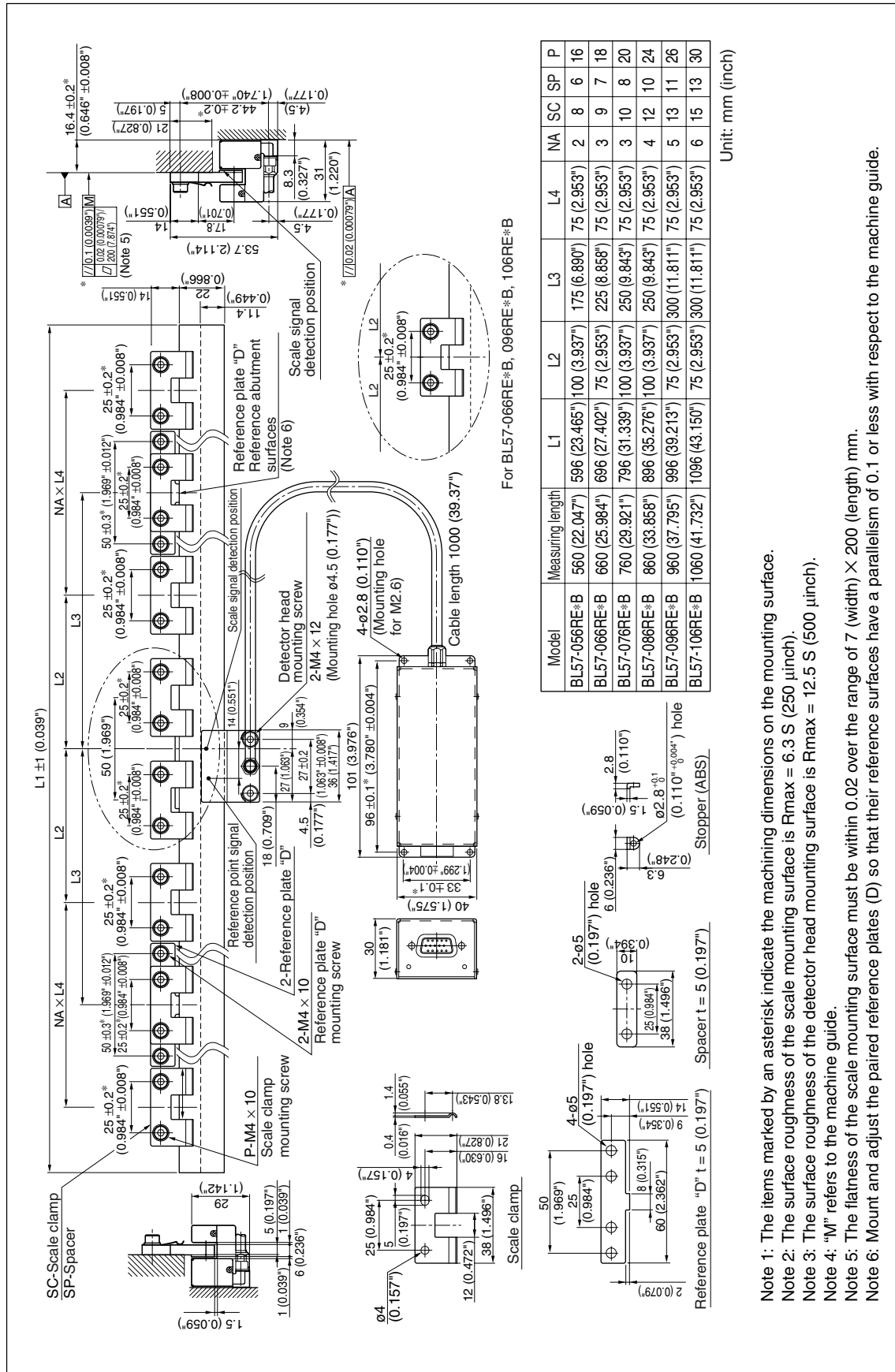


8-2. Soda Lime Glass Models

BL57-***RE*B (Measuring length 60/160/260/360/460)



BL57-***RE*B (Measuring length 560/660/760/860/960/1060)



9. Trouble Prevention

- Repairs are required in the event of an overrun, cable damage, deformation of the scale unit, or other conditions detrimental to the functioning of the scale.

If any of these events occur, immediately stop the machine, and contact your Magnescale Co., Ltd. distributor.

- Depending on the degree of damage, some repairs may be unable to be carried out.

Sicherheitsmaßnahmen

Bei dem Entwurf von Magnescale Co., Ltd. Produkten wird größter Wert auf die Sicherheit gelegt. Unsachgemäße Handhabung während des Betriebs oder der Installation ist jedoch gefährlich und kann zu Feuer, elektrischen Schlägen oder anderen Unfällen führen, die schwere Verletzungen oder Tod zur Folge haben können. Darüber hinaus kann falsche Anwendung die Leistung der Maschine verschlechtern.

Beachten Sie daher unbedingt die besonders hervorgehobenen Sicherheitshinweise in dieser Bedienungsanleitung, um derartige Unfälle zu verhüten, und lesen Sie die folgenden Sicherheitsmaßnahmen vor der Inbetriebnahme, Installation, Wartung, Inspektion oder Reparatur dieses Gerätes oder der Durchführung anderer Arbeiten durch.

Bedeutung der Warnhinweise

Bei der Durchsicht dieses Handbuchs werden Sie auf die folgenden Hinweise und Symbole stoßen. Machen Sie sich mit ihrer Bedeutung vertraut, bevor Sie den Text lesen.

Warnung

Eine Missachtung dieser Hinweise kann zu Feuer, elektrischen Schlägen oder anderen Unfällen führen, die schwere Verletzungen oder Tod zur Folge haben können.

Vorsicht

Eine Missachtung dieser Hinweise kann zu elektrischen Schlägen oder anderen Unfällen führen, die Verletzungen oder Sachbeschädigung der umliegenden Objekte zur Folge haben können.

Zu beachtende Symbole



VORSICHT



ELEKTRISCHER
SCHLAG



FINGERVERLETZUNG



LASERSTRAHL

Symbole, die Handlungen verbieten



NICHT
ZERLEGEN

Symbole, die Handlungen vorschreiben



STECKER
ABZIEHEN

Warnung



- Betreiben Sie dieses Gerät nur mit der vorgeschriebenen Versorgungsspannung, da anderenfalls die Gefahr von Feuer oder elektrischen Schlägen besteht.
- Führen Sie Installationsarbeiten nicht mit nassen Händen aus, da hierbei die Gefahr elektrischer Schläge besonders groß ist.



- Unterlassen Sie jeden Versuch, das Gerät zu zerlegen oder umzubauen, da dies zu Verletzungen oder Beschädigung der internen Schaltungen führen kann.



- Dieses Gerät ist ein Laserprodukt der Klasse 1. Es verwendet einen Halbleiterlaser mit einer Wellenlänge von 790 nm, dessen Licht außerhalb des sichtbaren Bereichs liegt. Die maximale Ausgangsleistung des Lasers beträgt 6 mW (Klasse 3B).
- Obwohl die vom Kopf-Innenbereich abgegebenen Laserstrahlen für das Auge unsichtbar sind, stellen sie eine Gefahr für den menschlichen Körper dar. Versuchen Sie daher auf keinen Fall, die Maßstabseinheit zu zerlegen oder vom versiegelten Teil des Maßstabs einheit aus hineinzublicken. Führen Sie auch niemals Fremdkörper in den versiegelten Teil des Maßstabs einheit ein.

CLASS 1 LASER PRODUCT
LASERSCHUTZKLASSE 1 PRODUKT
TO EN 60825

Vorsicht



- Überprüfen Sie vor Arbeitsbeginn unbedingt den Zustand von Maschine und Vorrichtungen, um die Arbeitssicherheit zu gewährleisten.



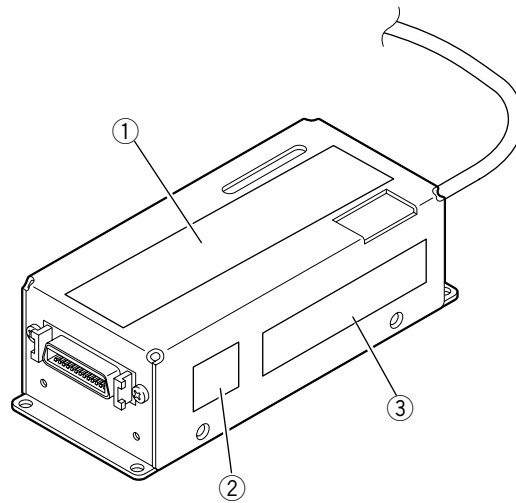
- Schalten Sie vor Arbeiten an der Maschine unbedingt die Stromzufuhr und andere Antriebsstromquellen aus. Anderenfalls besteht Brand- oder Unfallgefahr.



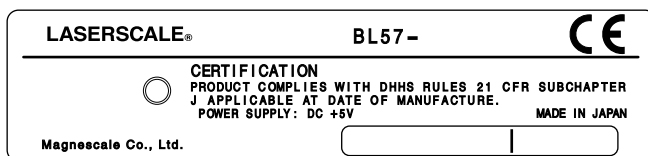
- Achten Sie beim Einschalten der Stromversorgung usw. zum Betrieb der Maschine darauf, daß Sie sich nicht die Finger in peripheren Maschinen und Vorrichtungen klemmen.

ACHTUNG

Die Betätigung von Bedien- und Einstellteilen bzw. die Ausführung von Verfahren, die nicht in dieser Bedienungsanleitung beschrieben sind, können zu gefährlicher Strahlungsbelastung führen.



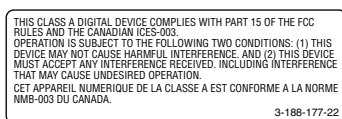
① Spezifikationsetikett/DHHS-Etikett



② Laser-Warnungsetikett



③ FCC-Etikett



[Achtung]

Farbänderung der Maßstabsteilung ist möglich.

Die Maßstabsteilung kann die Farbe verändern bei längerer Lichteinstrahlung.

Falls der vom Lesekopf emittierte Laserstrahl längere Zeit den gleichen Punkt beleuchtet, kann es zu einer Farbänderung an dieser Stelle kommen. Die Farbänderung hat keinen Einfluß auf die Messgenauigkeit bzw. Signalqualität.

Falls die Maßstabsteilung längere Zeit ultraviolettem Licht ausgesetzt wird, kann es zu einer starken Verdunklung kommen. Dies kann zu einer Verringerung des Ausgangssignal führen. Bitte schützen sie den Maßstab vor UV-Licht mit einer Abdeckung.

Vorsichtsmaßnahmen zum Betrieb

- Der Stecker der Schnittstelleneinheit ist mit einer Kappe zum Schutz gegen statische Elektrizität versehen. Entfernen Sie diese Kappe erst unmittelbar vor dem Anschluß der Peripheriegeräte. Vermeiden Sie eine Berührung der Steckerkontakte nach dem Abnehmen der Schutzkappe, weil dies zu Funktionsstörungen führen könnte.
- Schalten Sie die Stromzufuhr erst ein, nachdem Sie alle Anschlüsse an Schnittstelleneinheit und Peripheriegeräte gesichert haben. Der Stecker darf auf keinen Fall bei eingeschalteter Stromzufuhr eingeführt oder herausgezogen werden.
- Unterlassen Sie gewaltsames Ziehen oder übermäßiges Biegen des Kabels. (Biegeradius (innen) Statisch: mindestens 10 mm, immobil)
- Warten Sie vor Benutzung der Maßstabseinheit BL57-RE ungefähr 30 Minuten nach dem Einschalten der Stromzufuhr, bis sich die Temperatur des Detektorkopfes stabilisiert hat.
- Die Maßstabseinheit BL57-RE ist ein Präzisions-Meßinstrument. Behandeln Sie sie mit äußerster Sorgfalt, damit sie keinen starken Erschütterungen ausgesetzt wird. Benutzen Sie zum Transport die Originalverpackung der Maßstabseinheit. Bringen Sie immer die Antistatikkappe am Anschluss an.

Hinweise zur Installation

Beachten Sie die folgenden Punkte bei der Montage der Maßstabseinheit besonders sorgfältig, um Rauschen und elektromagnetische Störbeeinflussung von anderen Geräten zu verhüten.

- Führen Sie das Kopfkabel und das Verbindungskabel nicht durch denselben Kabelkanal wie die Starkstromleitung der Maschine.
- Montieren Sie die Maßstabseinheit an einer Stelle, die mindestens 0,5 m Abstand von Hochspannungsquellen, Starkstromleitungen und großen Leistungsrelais hat.
- Verwenden Sie das Verbindungskabel von Detektorkopf und Schnittstelleneinheit nicht an einem Ort, wo es wiederholt einer Biegekräft ausgesetzt wird (Kabelträger usw.). Biegen Sie in einem solchen Fall das an den Ausgangsanschluss der Schnittstelleneinheit angeschlossene Kabel.

Hinweise zum Anbringungsort

- Bringen Sie die Maßstab möglichst nahe am Werkstück und Messobjekt der Maschine an.
- Benutzen Sie dieses Produkt nur an Orten mit einer Umgebungstemperatur zwischen 0 und 40 °C. Bringen Sie das Produkt nicht an Orten an, die direktem Sonnenlicht, Warmluft oder Wärmequellen (z.B. Motoren) ausgesetzt sind. Dadurch könnte die Genauigkeit beeinträchtigt werden.
- Wenn wasserlösliche Schneidflüssigkeit oder andere Substanzen verwendet werden, muss für ausreichenden Schutz gesorgt werden, damit die Substanz nicht am Maßstab haftet.
- Stellen Sie niemals Gegenstände auf den montierten Maßstab, stützen Sie während der Benutzung nicht Ihre Ellbogen oder Füße auf dem Maßstab ab, und üben Sie keinen übermäßigen Druck auf den Maßstab aus.

Hinweise zur Lagerung

- Lagern Sie die Maßstabseinheit nicht an Orten mit hohen Temperaturen oder hoher Luftfeuchtigkeit. Eine solche Umgebung könnte sich negativ auf die Leistung des Maßstabs auswirken. Lagern Sie die Maßstabseinheit an einem möglichst trockenen Ort.

Allgemeine Vorsichtsmaßnahmen

Beachten Sie bei Verwendung unserer Produkte die folgenden allgemeinen Vorsichtsmaßnahmen neben den in diesem Handbuch speziell vermerkten Hinweisen, um korrekten Gebrauch der Produkte zu gewährleisten.

- Vergewissern Sie sich vor und während des Betriebs, daß das Produkt einwandfrei funktioniert.
- Treffen Sie angemessene Sicherheitsmaßnahmen, um im Falle von Funktionsstörungen Schäden zu vermeiden.
- Der Einsatz außerhalb der angegebenen Spezifikationen oder Zwecke und die Modifikation unserer Produkte haben den Verfall der Garantie auf die angegebenen Funktionen und Leistungen unserer Produkte zur Folge.
- Bei Verwendung unserer Produkte in Verbindung mit anderen Geräten werden je nach den Betriebsumgebungsbedingungen die in dieser Anleitung angegebenen Funktionen und Leistungen möglicherweise nicht erzielt. Daher sollte die Kompatibilität vorher gründlich überprüft werden.

[For U.S.A. and Canada]

THIS CLASS A DIGITAL DEVICE COMPLIES WITH PART 15 OF THE FCC RULES AND THE CANADIAN ICES-003. OPERATION IS SUBJECT TO THE FOLLOWING TWO CONDITIONS.

- (1) THIS DEVICE MAY NOT CAUSE HARMFUL INTERFERENCE, AND
- (2) THIS DEVICE MUST ACCEPT ANY INTERFERENCE RECEIVED, INCLUDING INTERFERENCE THAT MAY CAUSE UNDERSIGNED OPERATION.

CET APPAREIL NUMERIQUE DE LA CLASSE A EST CONFORME A LA NORME NMB-003 DU CANADA.

Inhalt

1. Überblick	1-1
1-1. Vorwort	1-1
1-2. Hauptmerkmale	1-1
1-3. Modellkonfiguration	1-2
2. Bezeichnung der Teile und ihre Funktionen	2-1
3. Montage und Einstellungen	3-1
3-1. Vorsichtsmassnahmen zur Montage	3-1
3-1-1. Während der Montage	3-1
3-1-2. Montagerichtung	3-2
3-1-3. Montageanforderungen	3-2
3-2. Vorbereitung der Montagefläche	3-3
3-3. Montage des Maßstabs	3-5
3-4. Montage des Detektorkopfes	3-9
3-5. Signaleinstellung	3-10
3-5-1. Vorbereitung zur Signaleinstellung	3-10
3-5-2. Azimuteinstellung	3-11
3-6. Abschluss von Montage und Einstellung	3-13
4. Schnittstelleneinheit	4-1
4-1. Abnehmen und Anbringen der Schnittstelleneinheitabdeckung	4-1
4-2. Montage der Schnittstelleneinheit	4-1
4-3. LED-Bezeichnungen	4-2
4-4. MODE-Schalter	4-3
4-4-1. Ausführliche Beschreibung der MODE-Schalter	4-4
4-5. Ändern der Einstellungen	4-5
4-5-1. Ändern der Richtung	4-5
4-5-2. Ändern der Auflösung	4-5
4-5-3. Einstellen der Bezugspunkt-Ausgangssignalausbreite	4-5
4-5-4. Bezugspunkteinstellung	4-6
4-5-5. Einstellung der Bezugspunktausgabe und der Bezugspunkterkennungsrichtung	4-7
4-5-6. Einstellung des Alarmzurücksetzungsmodus	4-8
5. Maßstabsignalausgabe	5-1
5-1. A/B-Signal- und Alarmausgabespezifikationen (nur für Ausgabeformate F und G)	5-1
5-2. Analogausgangsspezifikationen (nur für Ausgabeformat H)	5-2
6. Ein-/Ausgangsanschluss	6-1
6-1. Anschluss	6-1
6-2. Anschlussspezifikationen	6-3
6-2-1. A/B-Signalausgangstyp	6-3
6-2-2. Analogausgangstyp	6-5
6-2-3. Ausgangskabellänge (nur für Analogausgabe)	6-6
7. Technische Daten	7-1

8. Maßzeichnung	8-1
8-1. Neoceram-Modelle	8-1
8-2. Kalknatronglas-Modelle	8-2
9. Störungsinformation	9-1

1. Überblick

1-1. Vorwort

Bei den Geräten der Modellreihe BL57-RE handelt es sich um offene Laserscale-Geräte mit einer integrierten Schnittstelleneinheit, der einen eingebauten Bezugspunkt enthält. Die Schnittstelleneinheit wird mit Gleichstrom von $+5\text{ V} \pm 5\%$ für die Ausgabe von A/B- und Z-Signalen sowie von analogen Signalen und Bezugspunktsignalen versorgt.

1-2. Hauptmerkmale

- Auflösung: A/B-Signalen-Ausgangstyp : 0,1/0,05; 0,02/0,01 μm
Analogausgangstyp : 0,4 μm
- Dank dem Kopfsignaltakt von 0,4 μm kann der Interpolationsfehler außer Betracht gelassen werden.
- Nach modernster Halbleitertechnologie gefertigte optische ICs ermöglichen ein kompaktes und energiesparendes Design.
- Das Gerät wird theoretisch nicht durch Temperatur-, Luftdruck- oder atmosphärische Schwankungen beeinträchtigt und verwendet Schwerglas für erhöhte Messstabilität.
- Maximale Geschwindigkeit: 3.000 mm/s (analoge Ausgabe)

1-3. Modellkonfiguration

Neoceram-Modelle

Modell	Messlänge
BL57-003RE*C	30 mm
BL57-006RE*C	60 mm
BL57-011RE*C	110 mm
BL57-016RE*C	160 mm
BL57-021RE*C	210 mm
BL57-026RE*C	260 mm
BL57-031RE*C	310 mm
BL57-036RE*C	360 mm
BL57-041RE*C	410 mm

Hinweis: Es ist möglich, eine Einheit mit Sonderspezifikationen zu verwenden, die eine Messlänge zwischen 420 und 660 mm besitzt.

Kalknatronglas-Modelle

Modell	Messlänge
BL57-006RE*B	60 mm
BL57-016RE*B	160 mm
BL57-026RE*B	260 mm
BL57-036RE*B	360 mm
BL57-046RE*B	460 mm
BL57-056RE*B	560 mm
BL57-066RE*B	660 mm
BL57-076RE*B	760 mm
BL57-086RE*B	860 mm
BL57-096RE*B	960 mm
BL57-106RE*B	1060 mm

Hinweis: Es ist möglich, eine Einheit mit Sonderspezifikationen zu verwenden, die eine Messlänge zwischen 1070 und 1360 mm besitzt.

Tabelle 1-1

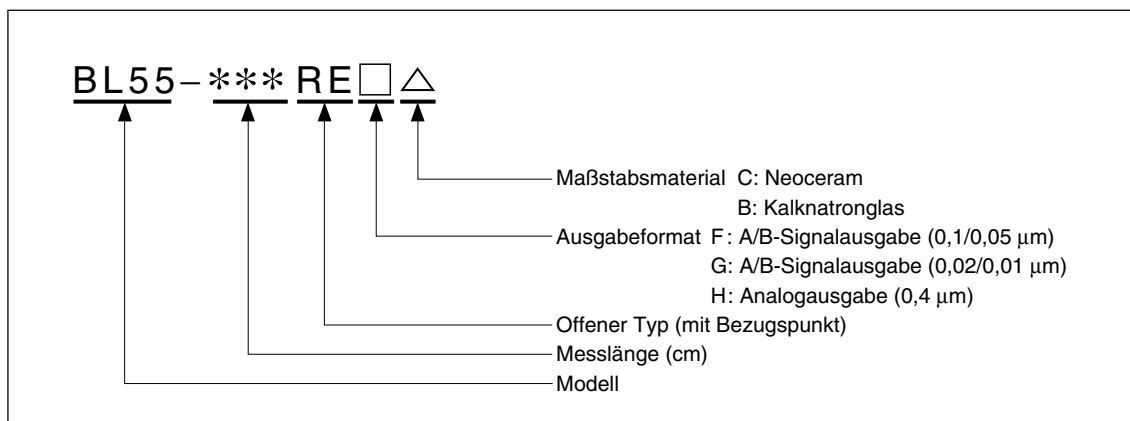


Abb. 1-1

Beispiele

- BL57-026REGC : Neoceram 270 mm, Offener Typ mit Bezugspunkt, A/B-Signalausgabe (0,02/0,01 µm)
- BL57-006REFB : Kalknatronglas 60 mm, Offener Typ mit Bezugspunkt, A/B-Signalausgabe (0,1/0,05 µm)
- BL57-026REHB : Kalknatronglas 260 mm, Offener Typ mit Bezugspunkt, Analogausgabe (0,4 µm)

2. Bezeichnung der Teile und ihre Funktionen

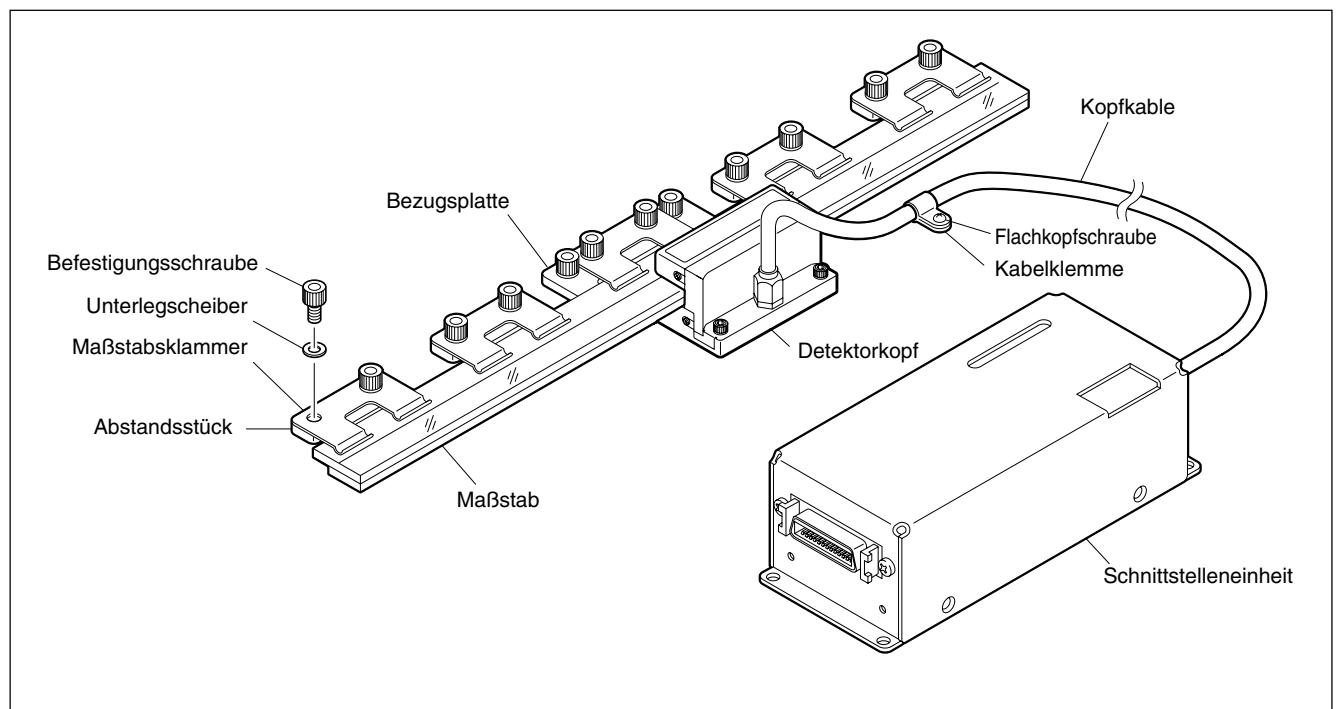


Abb. 2-1

3. Montage und Einstellungen

Gehen Sie folgendermaßen vor. (Einzelheiten entnehmen Sie bitte den entsprechenden Seiten.)

- 3-1. Vorsichtsmassnahmen zur Montage 3-1
 - 3-1-1. Während der Montage 3-1
 - 3-1-2. Montagerichtung 3-2
 - 3-1-3. Montageanforderungen 3-2
- 3-2. Vorbereitung der Montagefläche 3-3
- 3-3. Montage des Maßstabs 3-5
- 3-4. Montage des Detektorkopfes 3-9
- 3-5. Signaleinstellung 3-10
 - 3-5-1. Vorbereitung zur Signaleinstellung 3-10
 - 3-5-2. Azimuteinstellung 3-11
- 3-6. Abschluss von Montage und Einstellung 3-13

3-1. Vorsichtsmassnahmen zur Montage

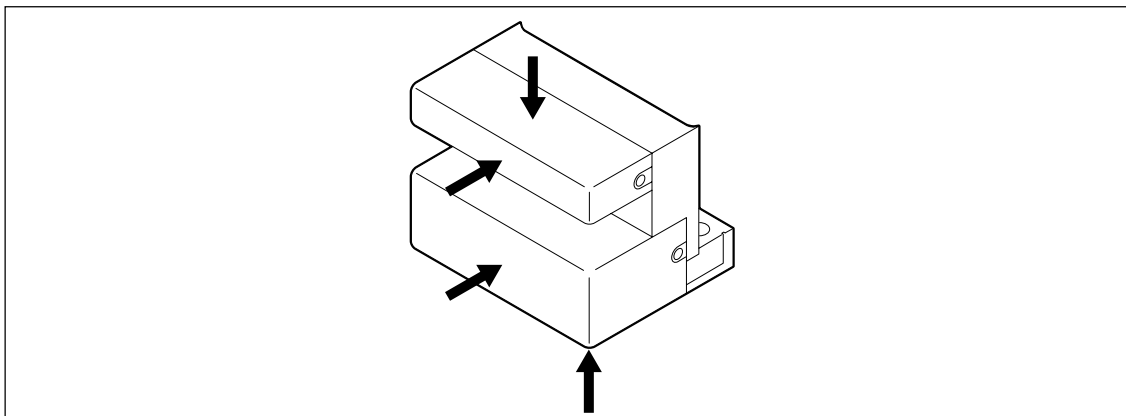
3-1-1. Während der Montage

- Maßstab und Detektorkopf sind aufeinander abgestimmt. Wenn Sie mehrere Maßstabseinheiten verwenden, achten Sie darauf, dass die Maßstab-Kopf-Kombinationen übereinstimmende Seriennummern haben.
- Montageposition (Abbe-Fehler) und Umgebungsbedingungen (Temperatur, Luftfeuchtigkeit, Vibrationen und Staub) sind entsprechend zu berücksichtigen.
- Verlegen Sie das Kabel des Detektorkopfes oder das Verbindungskabel nicht im gleichen Kabelkanal wie das Stromversorgungskabel. Bündeln Sie das Kabel des Detektorkopfes auch nicht mit dem Stromversorgungskabel.
- Montieren Sie die Maßstabseinheit an einer Stelle, die mindestens 0,5 m Abstand von Hochspannungsquellen, Starkstromleitungen und großen Leistungsrelais hat.
- Verwenden Sie das Verbindungskabel von Detektorkopf und Schnittstelleneinheit nicht an einem Ort, wo es wiederholt einer Biegekräft ausgesetzt wird (Kabelträger usw.). Biegen Sie in einem solchen Fall das an den Ausgangsanschluss der Schnittstelleneinheit angeschlossene Kabel.
- Benutzen Sie dieses Produkt nur an Orten mit einer Umgebungstemperatur zwischen 0 und 40 °C. Bringen Sie das Produkt nicht an Orten an, die direktem Sonnenlicht, Warmluft oder Wärmequellen (z.B. Motoren) ausgesetzt sind. Dadurch könnte die Genauigkeit beeinträchtigt werden.
- Wenn wasserlösliche Schneidflüssigkeit oder andere Substanzen verwendet werden, muss für ausreichenden Schutz gesorgt werden, damit die Substanz nicht am Maßstab haftet.
- Stellen Sie den maximalen Verfahrweg des beweglichen Maschinenteils kürzer als den Verfahrweg des Maßstabs ein.

Max Verfahrweg des Maßstabs = Messlänge +10 mm (5 mm auf jeder Seite)

(Bei Überschreitung des max. Maßstab-Verfahrwegs werden die Signale der Maßstabseinheit nicht ausgegeben, so dass ein Fehler auftritt.)

- Nach der Montage ist eine Signaleinstellung der Maßstabseinheit erforderlich. Achten Sie bei der Montage des Maßstabs an der Maschine darauf, dass genügend Platz für die Einstellung vorhanden ist. (Siehe die Seiten 3-3 bis 3-13.)
- Achten Sie bei der Montage und Einstellung des Detektorkopfes darauf, dass Sie nicht die in der nachstehenden Zeichnung mit Pfeilen gekennzeichnete Oberfläche der Kopfabdeckung berühren.



3-1-2. Montagerichtung

Die Montage kann in vertikaler oder horizontaler Richtung durchgeführt werden.

Die in der Abbildung gezeigte Montagerichtung wird bei Montage in horizontaler Richtung empfohlen.

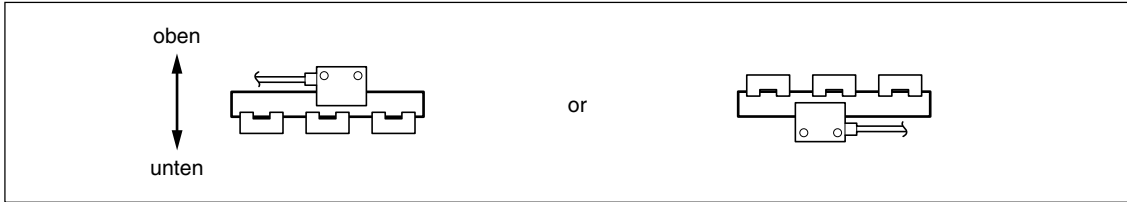


Abb. 3-2

3-1-3. Montageanforderungen

Messinstrumente

- Elektrisches Mikrometer oder Messuhr mit Hebelgestänge (1)
(mit einer Messgenauigkeit von 2 µm)
- Messuhrständer (1)
- Oszilloskop (1)
Möglichkeit zur 2-Quadrant-X-Y-Anzeige
Eingangsempfindlichkeit : DC 0,1 V/DIV
X-Y-Frequenzband : 1 MHz oder mehr

Werkzeuge

- Sechskant-Stiftschlüssel: 3 mm (1)
- Kreuzschlitzschraubendreher Nr. 1 (1)
- Kreuzschlitzschraubendreher Nr. 0 (1)

Verschiedenes

- Zubehör (1 Satz)
- Gaze (geringe Menge)
- Alkohol (geringe Menge)

3-2. Vorbereitung der Montagefläche

1. Überprüfen Sie die Größe (schraffierte Teile in der Abbildung) und Genauigkeit der Montagefläche.
2. Überprüfen Sie die Genauigkeit der Befestigungsschrauben-Koordinaten.

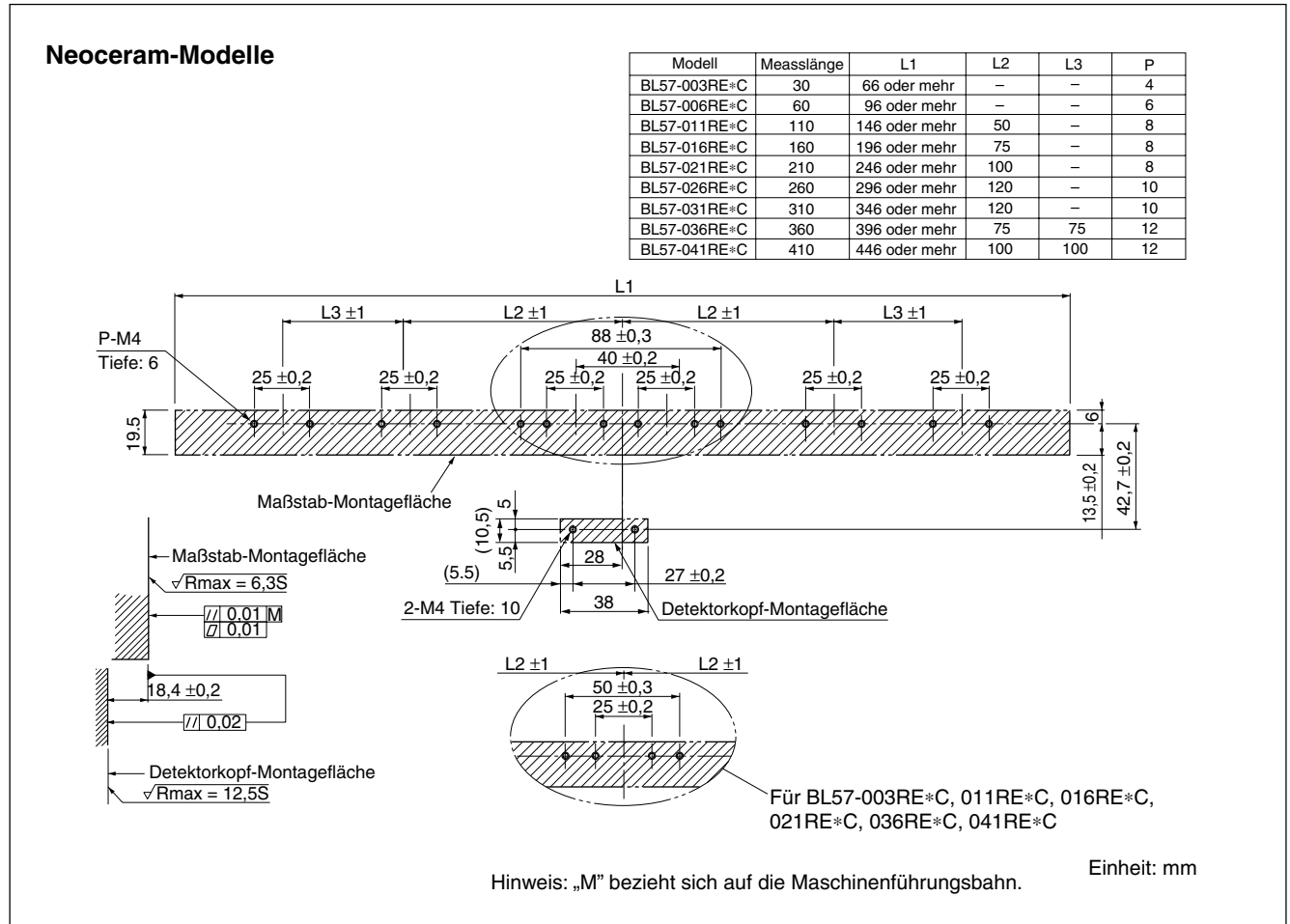
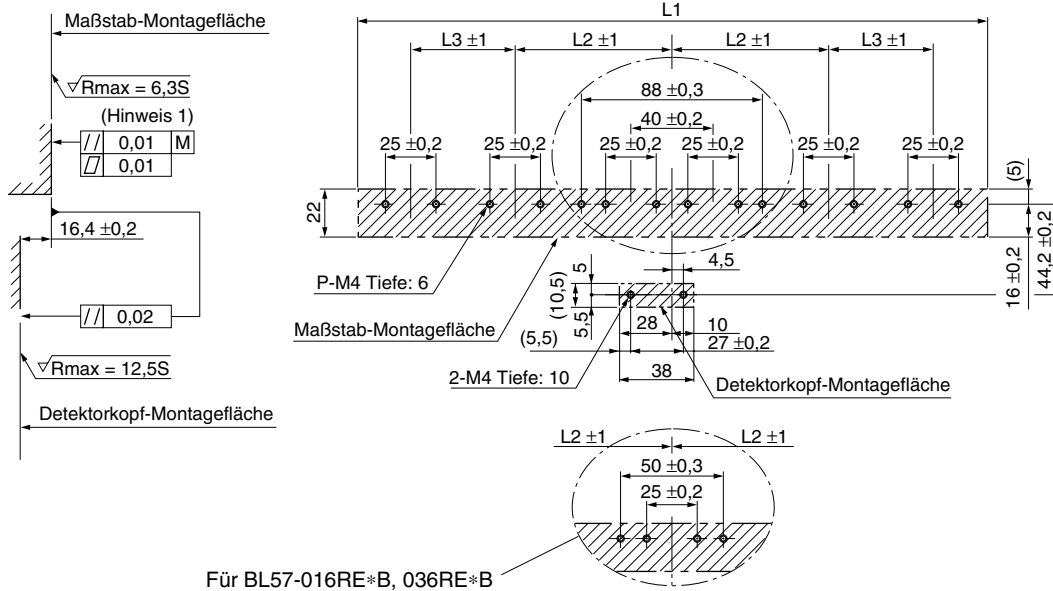


Abb. 3-3

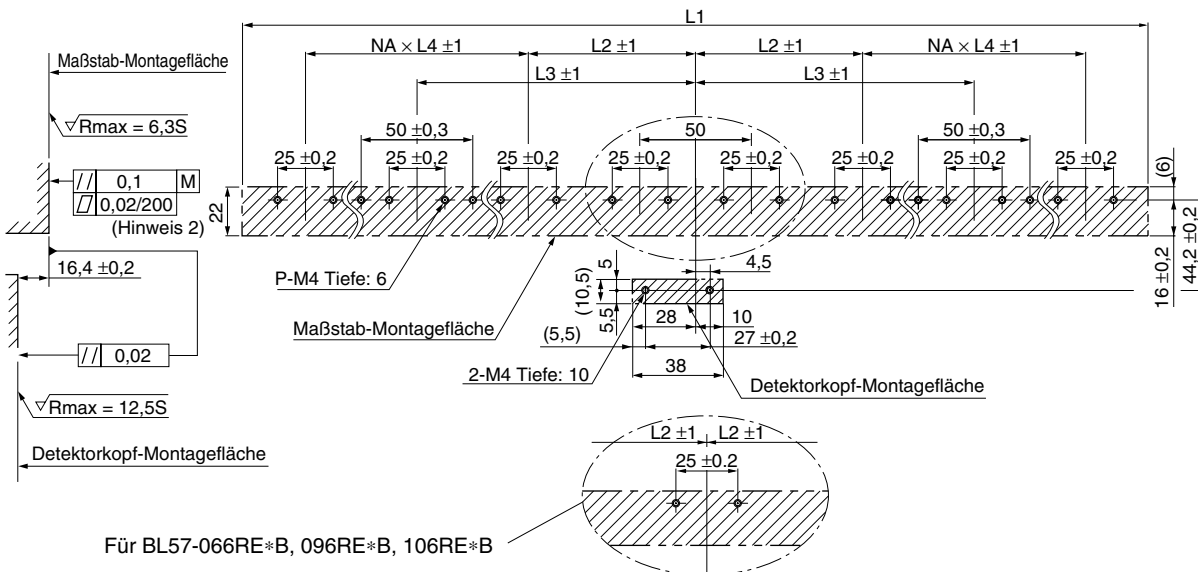
Kalknatronglas-Modelle

Modell	Measslänge	L1	L2	L3	P
BL57-006RE*B	60	96 oder mehr	-	-	6
BL57-016RE*B	160	196 oder mehr	75	-	8
BL57-026RE*B	260	296 oder mehr	120	-	10
BL57-036RE*B	360	396 oder mehr	75	75	12
BL57-046RE*B	460	496 oder mehr	120	75	14



Einheit: mm

Modell	Measslänge	L1	L2	L3	L4	NA	P
BL57-056RE*B	560	596 oder mehr	100	175	75	2	16
BL57-066RE*B	660	696 oder mehr	75	225	75	3	18
BL57-076RE*B	760	796 oder mehr	100	250	75	3	20
BL57-086RE*B	860	896 oder mehr	100	250	75	4	24
BL57-096RE*B	960	996 oder mehr	75	300	75	5	26
BL57-106RE*B	1060	1096 oder mehr	75	300	75	6	30



Hinweis 1: „M“ bezieht sich auf die Maschinenführungsbahn.
 Hinweis 2: Die Ebenheit der Maßstab-Montagefläche muss innerhalb von 0,02 mm über einen Bereich von 7 mm (Breite) x 200 mm (Länge) liegen.

Abb. 3-4

3-3. Montage des Maßstabs

- 1 Vergewissern Sie sich, dass weder Staub noch andere Fremdkörper an der Montagefläche haften, und montieren Sie die Bezugsplatte parallel zur Maschinenführungsbahn, wie in der Abbildung gezeigt. (Anzugsmoment: $1,4 \text{ N} \cdot \text{m}$)
Die Bezugsbohrung befindet sich auf der linken Seite, wie in der Abbildung gezeigt. Nehmen Sie die Einstellung auf der rechten Seite vor, während Sie die Parallelität mit der Hebel-Messuhr überwachen.

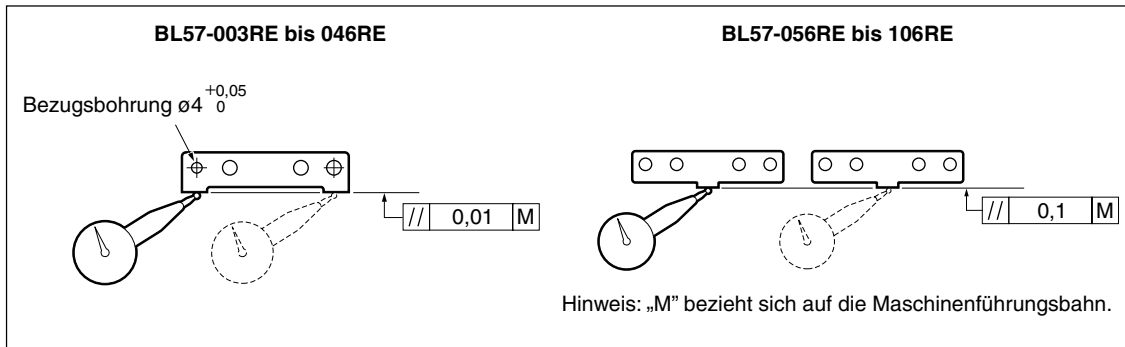


Abb. 3-5

Hinweis

Der Maßstab wird bei der Montage zur Einhaltung der Parallelität gegen die Bezugsplatte gedrückt. Die Bezugsplatte ist ausschlaggebend für eine genaue Montage des Maßstabs und muss daher genau nach Vorschrift montiert werden. Verwenden Sie immer die mitgelieferte Schraube, und montieren Sie sie genau nach den Vorschriften.

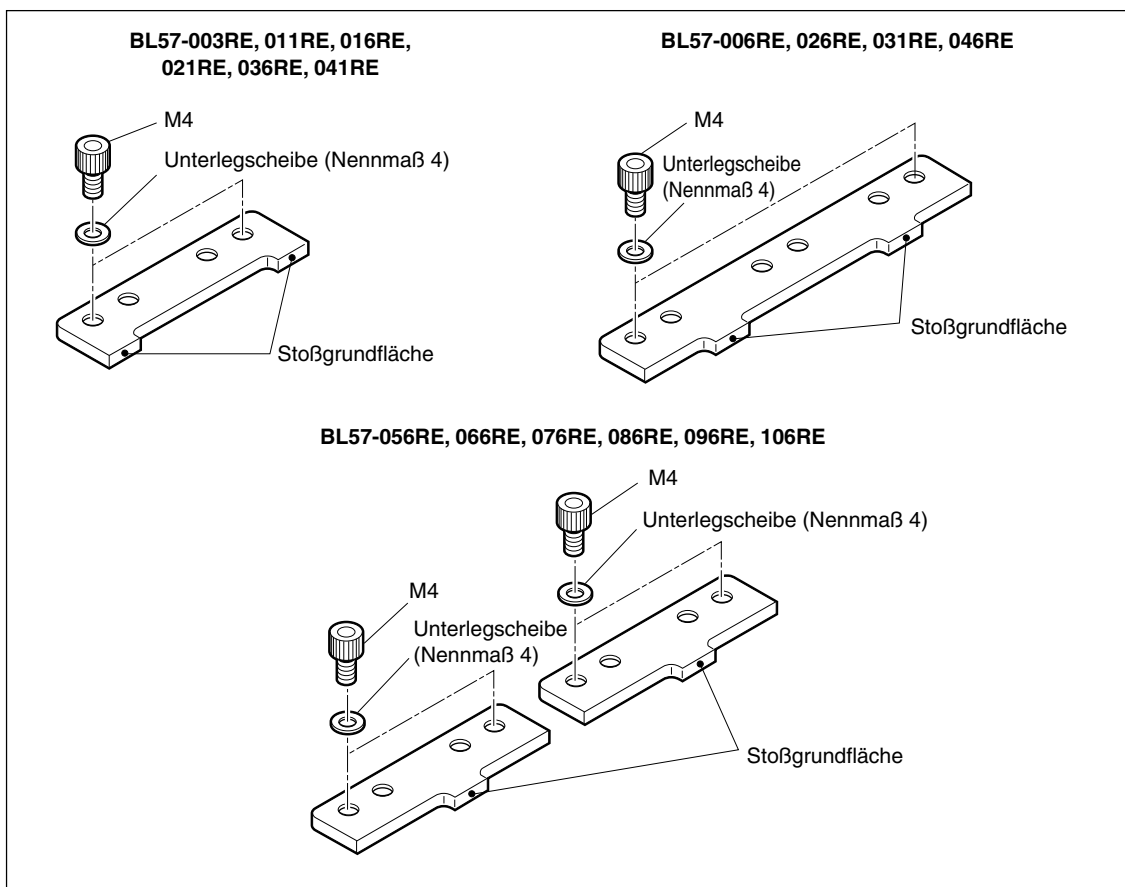


Abb. 3-6

- 2** Befestigen Sie die Maßstabsklammern provisorisch (1 oder 2 ganze Umdrehungen weniger als die halb angezogene Position) mit den Befestigungsschrauben, wie in der Abbildung gezeigt.

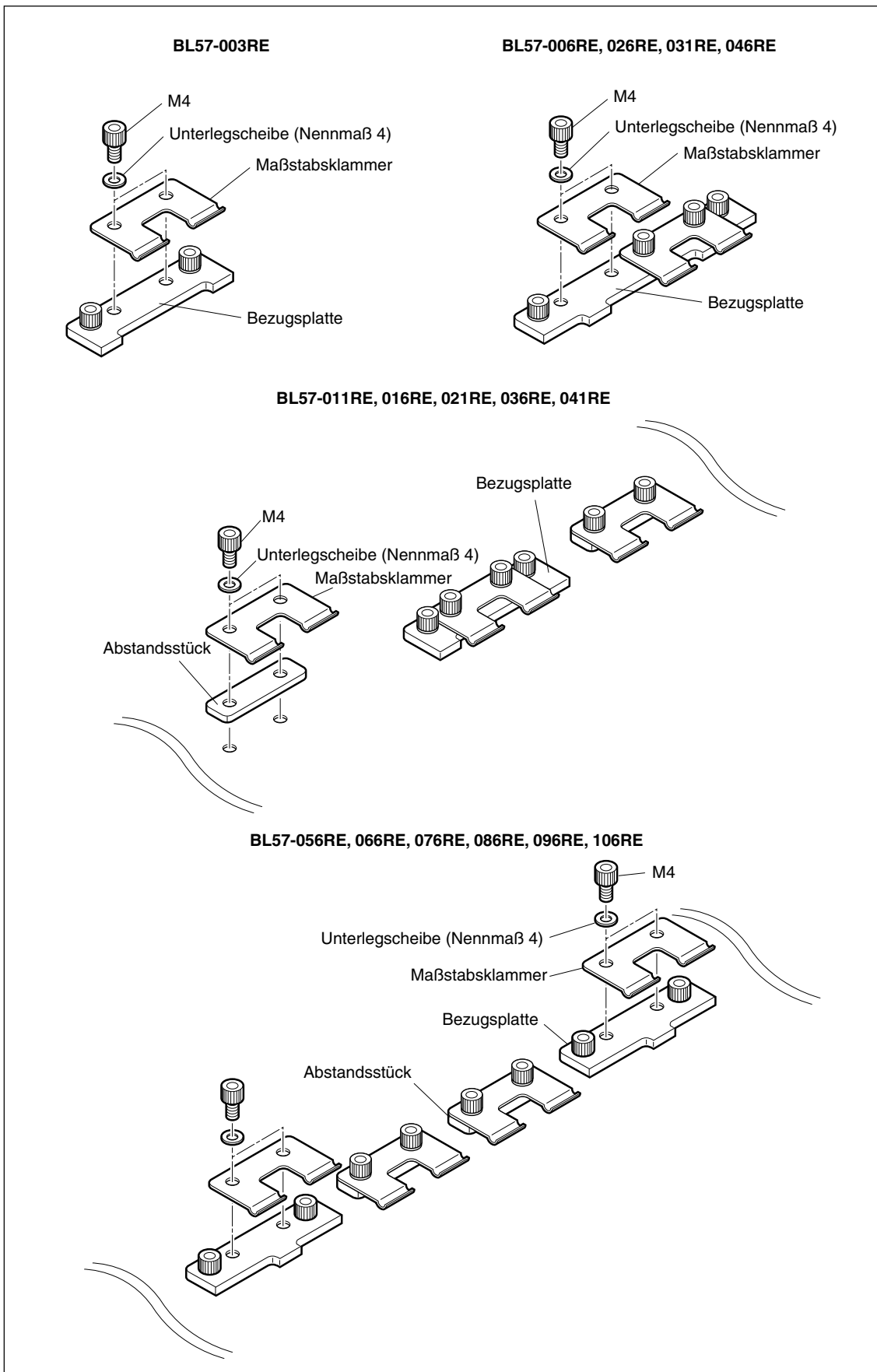


Abb. 3-7

- 3** Überprüfen Sie Montagefläche und Bezugsfläche des Maßstabs auf Staub und Schmutz. Falls die Flächen verschmutzt sind, wischen Sie sie mit alkoholgetränkter Gaze ab.

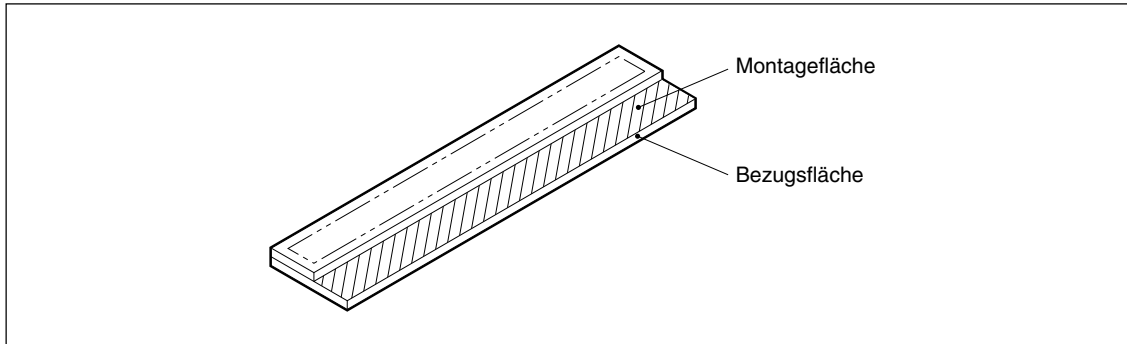


Abb. 3-8

- 4** Schieben Sie den Maßstab zwischen Maßstabsklammer und Montagefläche ein, während Sie seine Bezugsfläche (siehe Abb. 3-6) leicht gegen die Stoßgrundfläche drücken (Hinweis). Ziehen Sie die in der Abbildung mit A und B gekennzeichneten Schrauben der Maßstabsklammer schrittweise und abwechselnd an. (Verwenden Sie nur die linke Maßstabsklammer für Klammern mit zwei Schrauben, und die mittlere Maßstabsklammer für Klammern mit drei Schrauben.) (Endanzugsmoment: $1,4 \text{ N} \cdot \text{m}$)

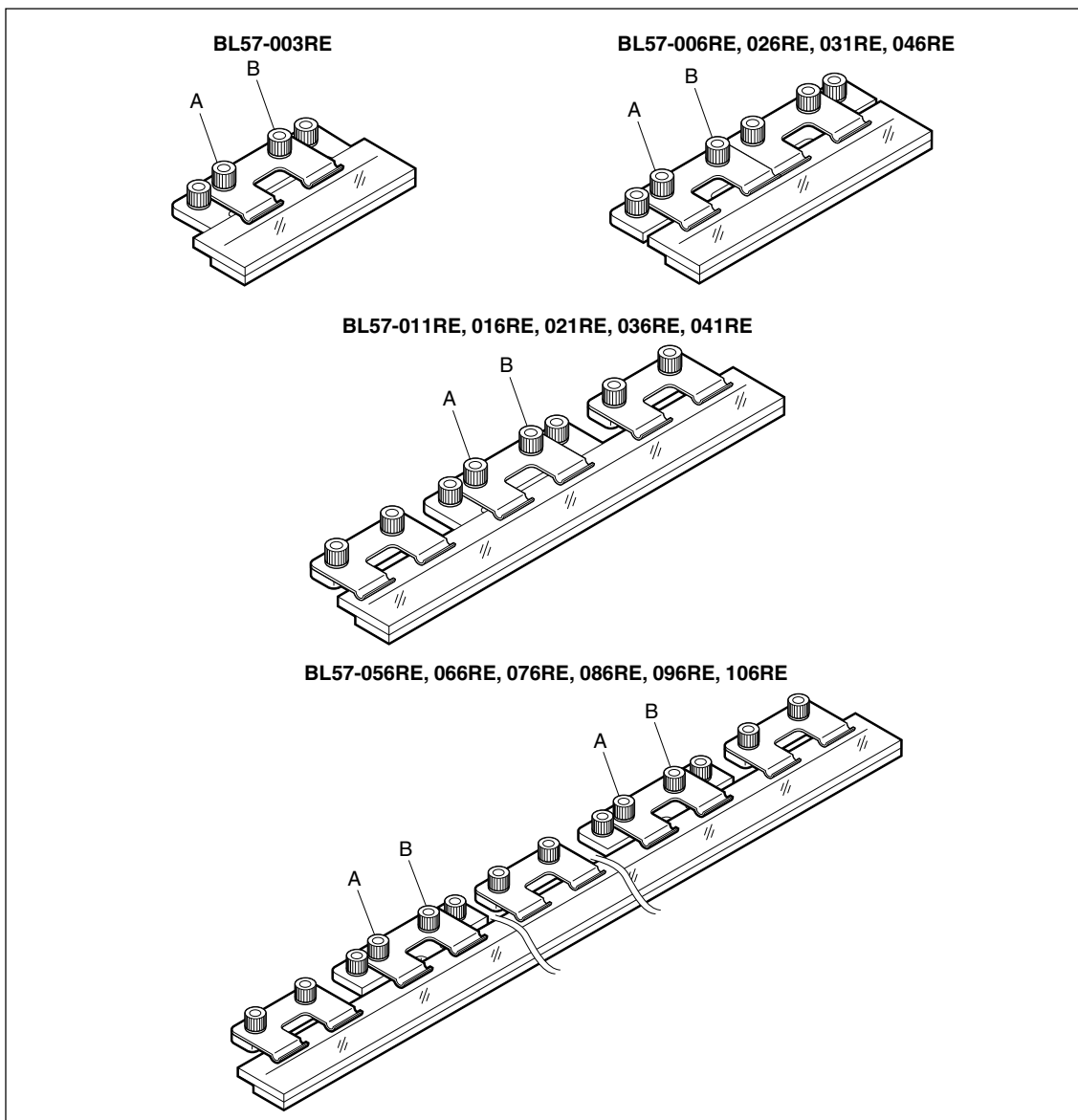
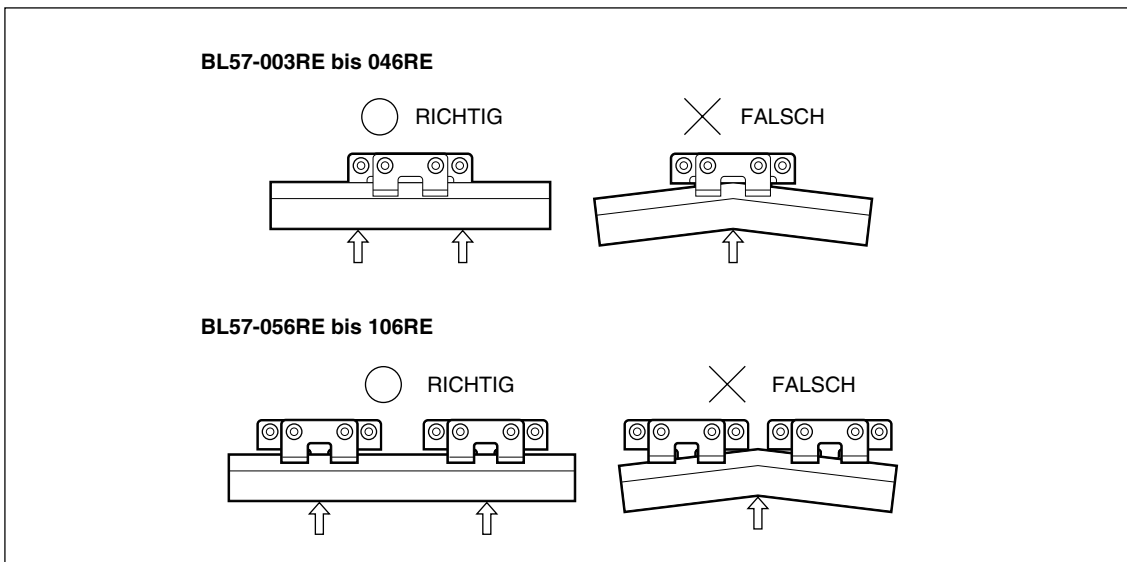


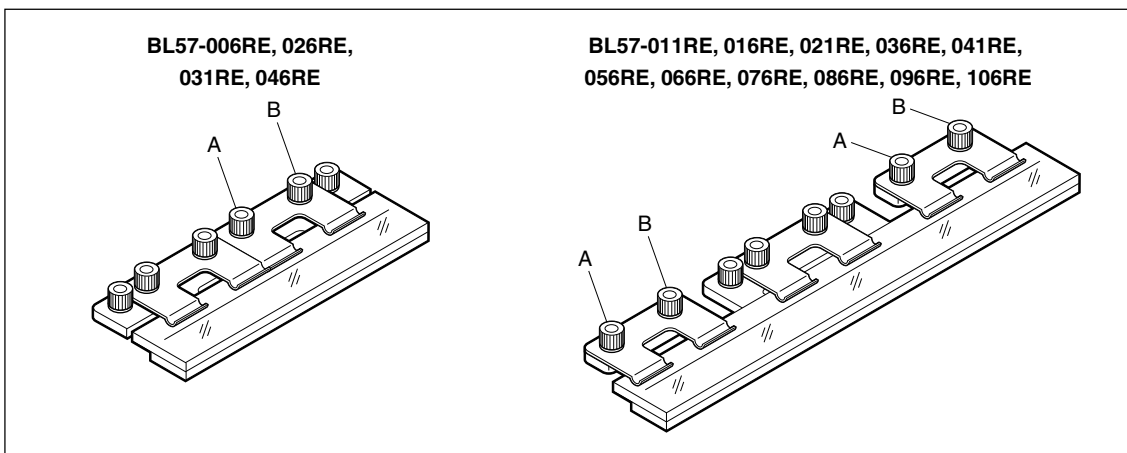
Abb. 3-9

Hinweis

Wenn Sie den Maßstab gegen die Bezugsfläche drücken, üben Sie mit den Fingern an zwei Stellen einen Druck von 9,8 N oder weniger auf die der Bezugsfläche gegenüberliegende Kante des Maßstabs aus, wie in der linken Abb. 3-10 gezeigt. Wird ein Druck von 4,9 N oder mehr auf die Mitte des Maßstabs ausgeübt, wie in der rechten Abb. 3-10 gezeigt, oder wird der Maßstab mit Verzug montiert, kann die angegebene Genauigkeit nicht erzielt werden. (Dies gilt auch für die folgenden Verfahren. Falls der Verdacht auf Verzug des Maßstabs durch übermäßige Kraftanwendung besteht, lösen Sie die Maßstabsklammer, um den Maßstab korrekt zu montieren.)

**Abb. 3-10**

- 5 Lassen Sie den Maßstab für etwa eine Stunde oder länger in dem in Abb. 3-9 gezeigten Zustand, bis sich seine Temperatur stabilisiert.
- 6 Sichern Sie die übrigen Maßstabsklammern durch allmähliches und abwechselndes Anziehen der Schrauben A und B. (Verwenden Sie nur die rechte Maßstabsklammer für Klammern mit zwei Schrauben, und die rechte und linke Maßstabsklammer für Klammern mit drei Schrauben.) (Endanzugsmoment: $1,4 \text{ N} \cdot \text{m}$)

**Abb. 3-11**

- 7** Ziehen Sie die Maßstabsklammern an beiden Enden des Maßstabs mit dem gleichen Anzugsmoment an. (Endanzugsmoment: $1,4 \text{ N} \cdot \text{m}$)

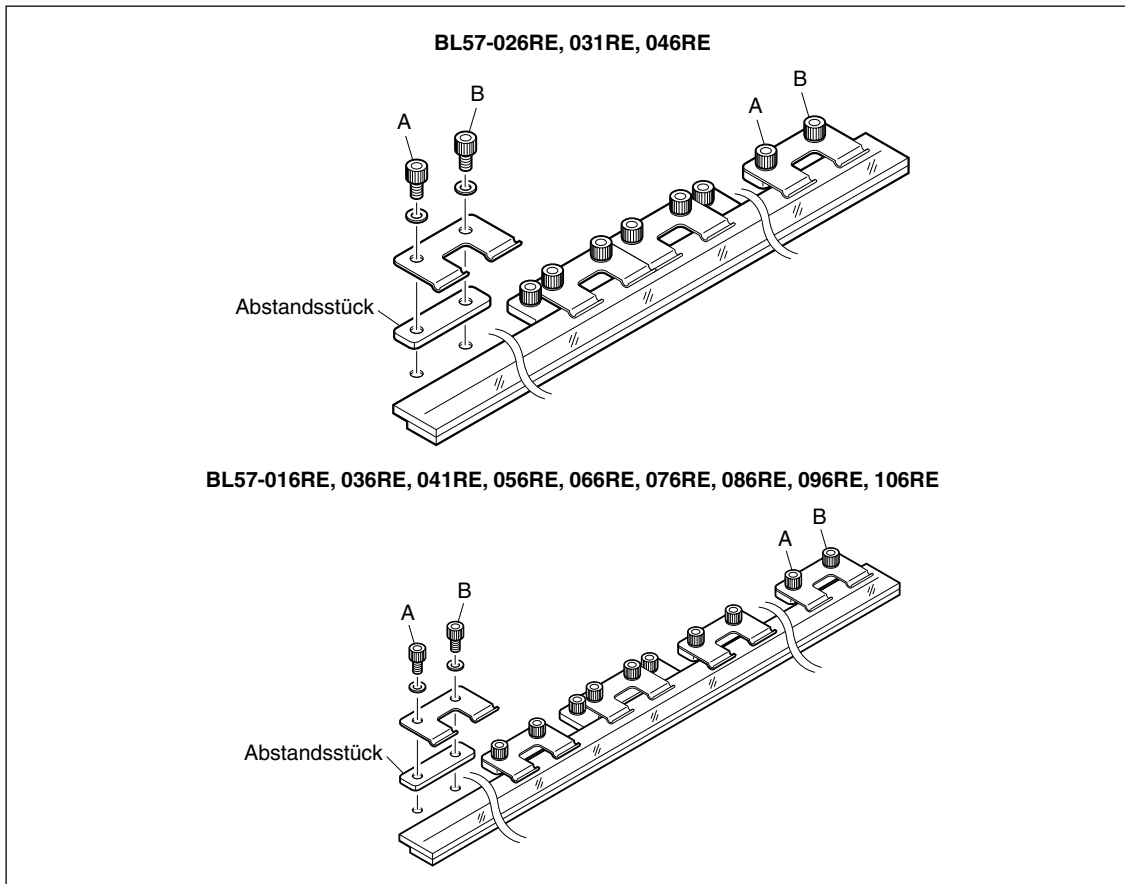


Abb. 3-12

- 8** Überprüfen Sie die Oberfläche des Maßstabs auf Öl und Staub. Falls die Oberfläche verschmutzt ist, wischen Sie sie mit alkoholgetränkter Gaze ab. Wischen Sie Öl und Staub gründlich von der Oberfläche ab.

3-4. Montage des Detektorkopfes

- 1** Verschieben Sie den Maschinentisch, und stellen Sie die Montageposition des Detektorkopfes ungefähr auf die Mitte des Maßstabs ein.
- 2** Ziehen Sie den Detektorkopf mit den mitgelieferten Befestigungsschrauben provisorisch an.

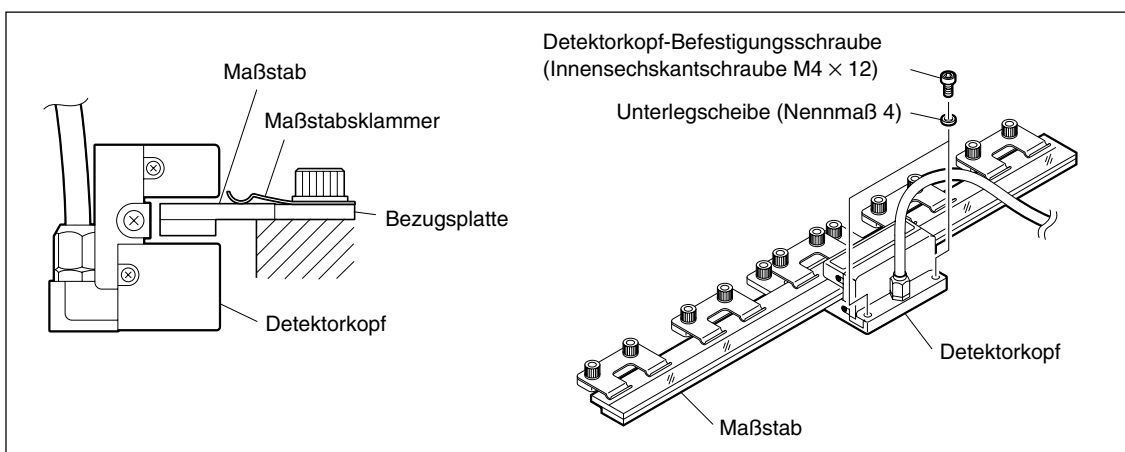


Abb. 3-13

3-5. Signaleinstellung

3-5-1. Vorbereitung zur Signaleinstellung

Stellen Sie sicher, dass der Schnittstelleneinheit ausgeschaltet ist.

Angaben zum Abnehmen und Anbringen der Abdeckung der Schnittstelleneinheit finden Sie in Abschnitt 4-1.

1 Verbinden Sie die Sonde CH1 des Oszilloskops mit den Prüfstiften*¹ der Schnittstelleneinheit.

*1 Ausgabeformat F, G oder H : TP3 (SIN) und TP8 (GND)

2 Verbinden Sie die Sonde CH2 des Oszilloskops mit den Prüfstiften*² der Schnittstelleneinheit.

*2 Ausgabeformat F oder G : TP2 (COS) und TP8 (GND)

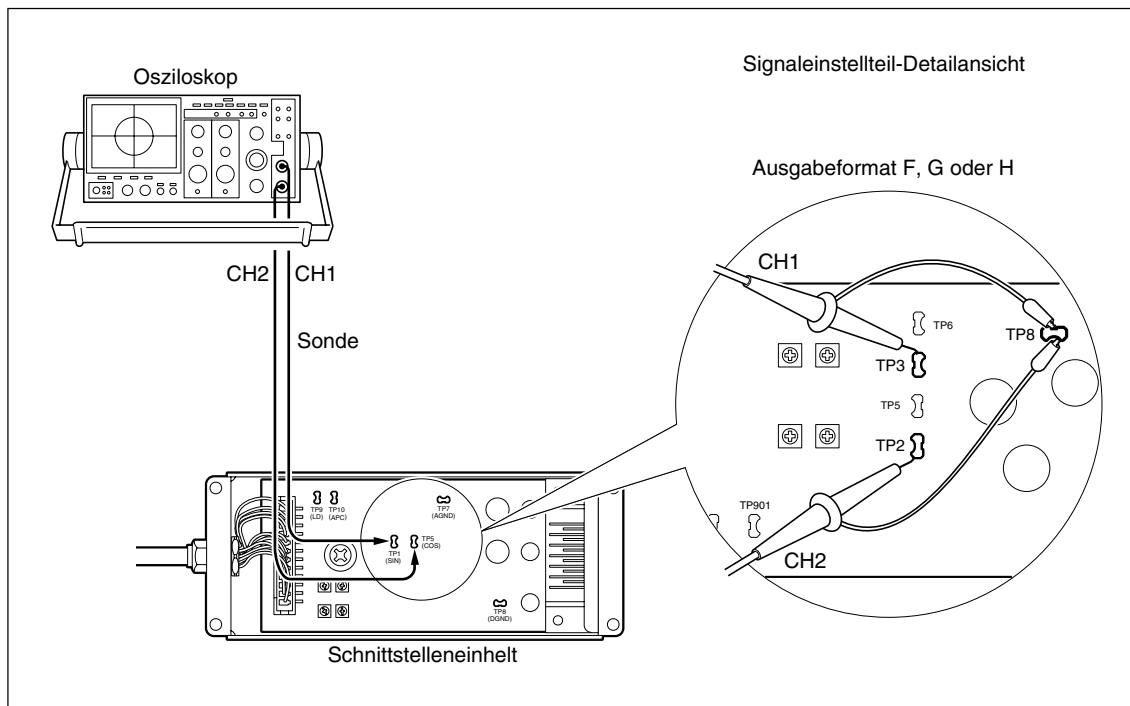


Abb. 3-14

3 Stellen Sie den Schalter TIME/DIV auf X-Y MODE.

4 Stellen Sie die Deviationsempfindlichkeit (VOLTS/DIV) von CH1 und CH2 auf 0,5 V/DIV ein.

5 Stellen Sie die Eingangskopplungsschalter von CH1 und CH2 des Oszilloskops auf GND, und stellen Sie die Position des Oszilloskops so ein, dass sich ein Signal unten links im Bildschirm befindet.

6 Stellen Sie die Eingangskopplungsschalter von CH1 und CH2 am Oszilloskop auf DC.

7 Schalten Sie die Stromzufuhr der Schnittstelleneinheit ein.

Hinweis

Schalten Sie die Schnittstelleneinheit aus, bevor Sie die Sonde des Oszilloskops anbringen oder abnehmen.

3-5-2. Azimuteinstellung

Die in der nachstehenden Abbildung gezeigte Richtung wird als Azimutrichtung bezeichnet. Durch geringfügiges Verstellen der Detektorkopfausrichtung kann ein stabiles Ausgangssignal innerhalb des Bereichs der angegebenen Werte erzielt werden.

<Angenebene Werte>

Typ mit A/B-Signalausgabe Ausgabeformat F : Amplitude 0,7 Vs-s bis 1,3 Vp-p

Ausgabeformat G : Amplitude 0,8 Vs-s bis 1,2 Vp-p

Typ mit Analogausgabe Ausgabeformat H : Amplitude 0,6 Vs-s bis 1,1 Vp-p

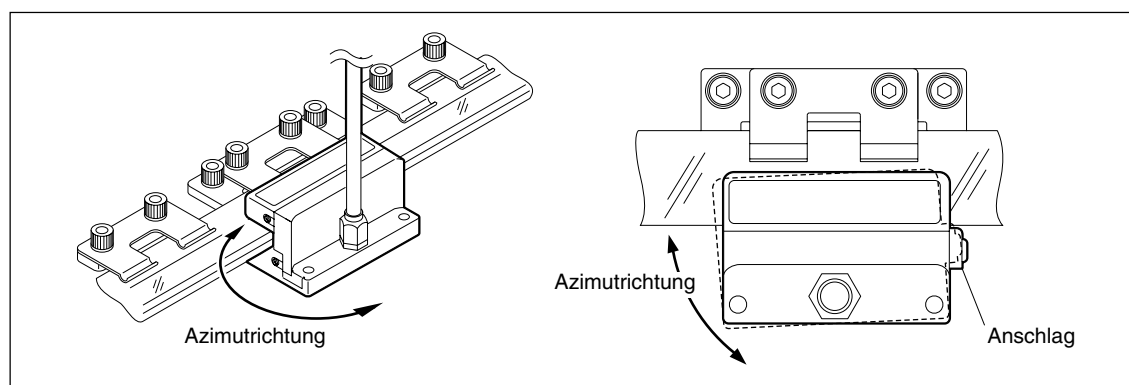


Abb. 3-15

- 1 Lösen Sie die Detektorkopf-Befestigungsschrauben, und bringen Sie dann den Anschlag direkt mit der Unterseite des Maßstabs in Berührung.
- 2 Drehen Sie den Detektorkopf in Azimutrichtung um den Anschlag, wie in Abb. 3-15 gezeigt, um die Stelle ausfindig zu machen, an der die Lissajousfigur die **maximale** Amplitude hat.
- 3 Ziehen Sie die zwei Detektorkopf-Befestigungsschrauben abwechselnd und schrittweise in der Detektorkopfstellung mit der größten Amplitude der Lissajousfigur an. (Anzugsmoment: 1,4 N · m)
- 4 Stellen Sie sicher, dass kein Kontakt zwischen Maßstab und Detektorkopf besteht.

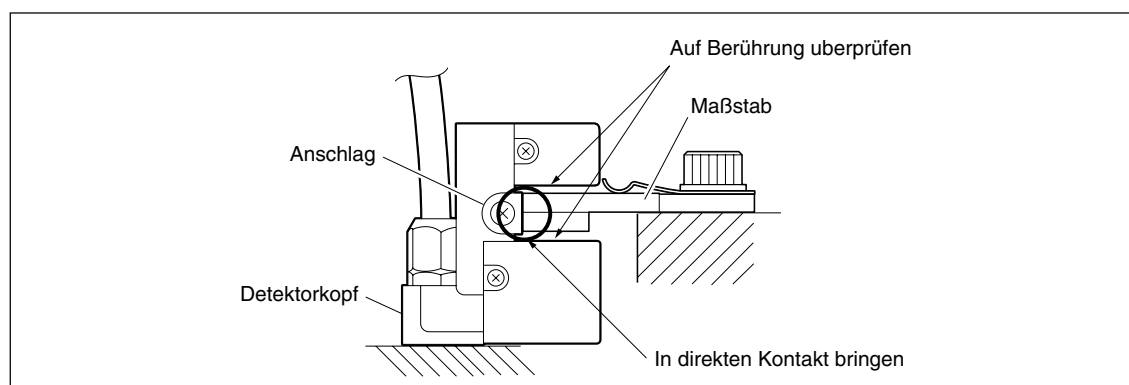


Abb. 3-16

Hinweis

Bewegen Sie die Maschinenvorrichtung nicht mit dem am Detektorkopf angebrachten Anschlag, weil dies zu einer Beschädigung des Detektorkopfes oder Maßstabs führen kann.

3-6. Abschluss von Montage und Einstellung

- Sichern Sie das Kabel mit der mitgelieferten Kabelklemme und der Flachkopfschraube (M4 × 8).
- Bevor Sie den Maßstab für Messungen benutzen, lassen Sie ihn nach der Montage etwa drei Stunden lang ruhen, damit sich die befestigten Teile stabilisieren können und die Umgebungstemperatur des Maßstabs sich normalisieren kann.

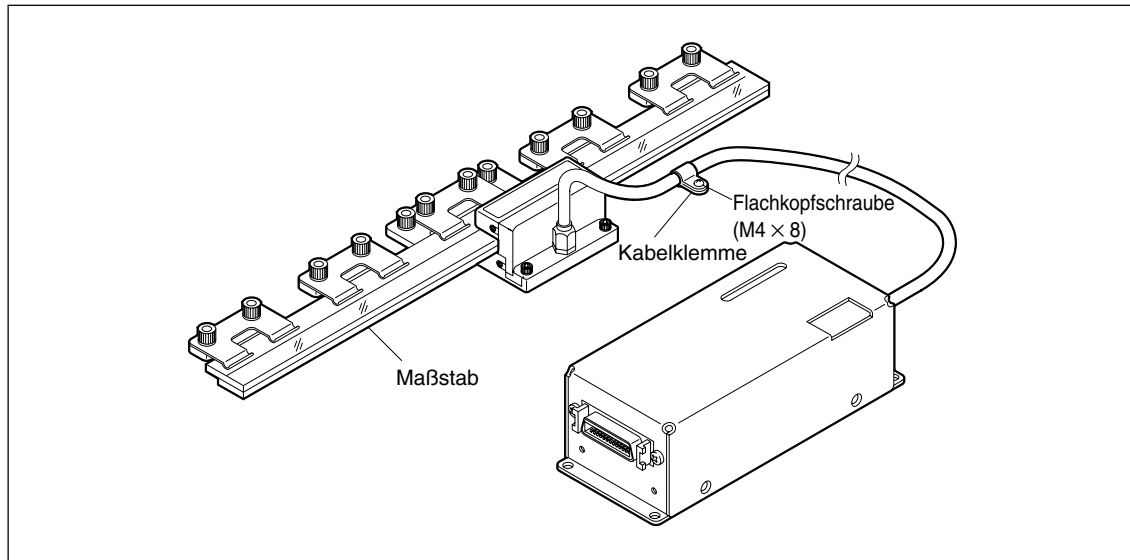


Abb. 3-19

4. Schnittstelleneinheit

4-1. Abnehmen und Anbringen der Schnittstelleneinheitabdeckung

Um die Funktionen einzustellen oder zu überprüfen, entfernen Sie die vier Schrauben, und nehmen Sie dann die Schnittstelleneinheitabdeckung ab.

Platzieren Sie die Schnittstelleneinheitsabdeckung beim Anbringen so, dass die vorspringende Fläche auf der Anschlussseite liegt, und ziehen Sie dann die entfernten Schrauben wieder an ihren ursprünglichen Positionen an.

Anzugsmoment 0,3 N · m

Hinweis

- Achten Sie beim Entfernen darauf, dass die Schrauben nicht verloren gehen.
- Achten Sie beim Anbringen der Schnittstelleneinheitsabdeckung darauf, dass die vorspringende Fläche auf der Anschlussseite liegt.

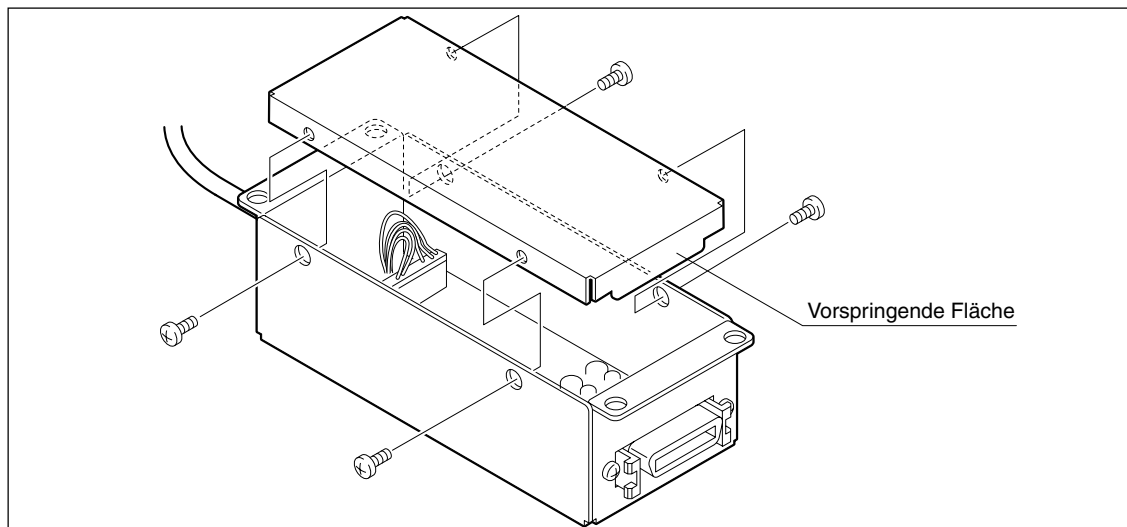


Abb. 4-1

4-2. Montage der Schnittstelleneinheit

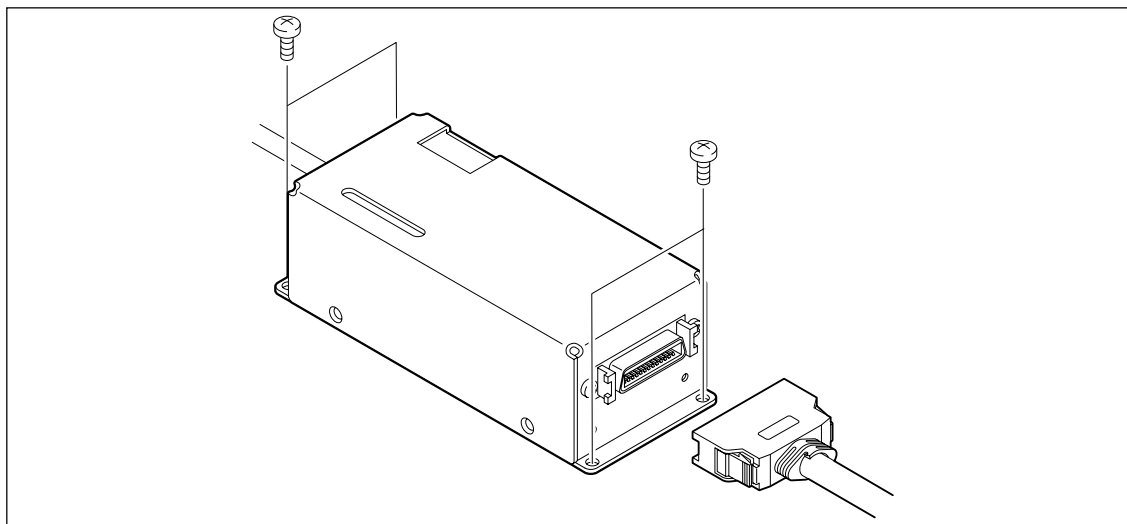
Befestigen Sie die Schnittstelleneinheit mit den mitgelieferten Schrauben.

Schrauben Sie den Ausgangsanschluss fest ein.

Verwendete Schrauben/Anzugsmoment: M2,6 × 5: 4 Schrauben/0,8 N · m

Hinweis

Unterlassen Sie das Anschließen oder Abtrennen des Ausgangsanschlusses bei eingeschalteter Stromversorgung der Schnittstelleneinheit.



4-3. LED-Bezeichnungen

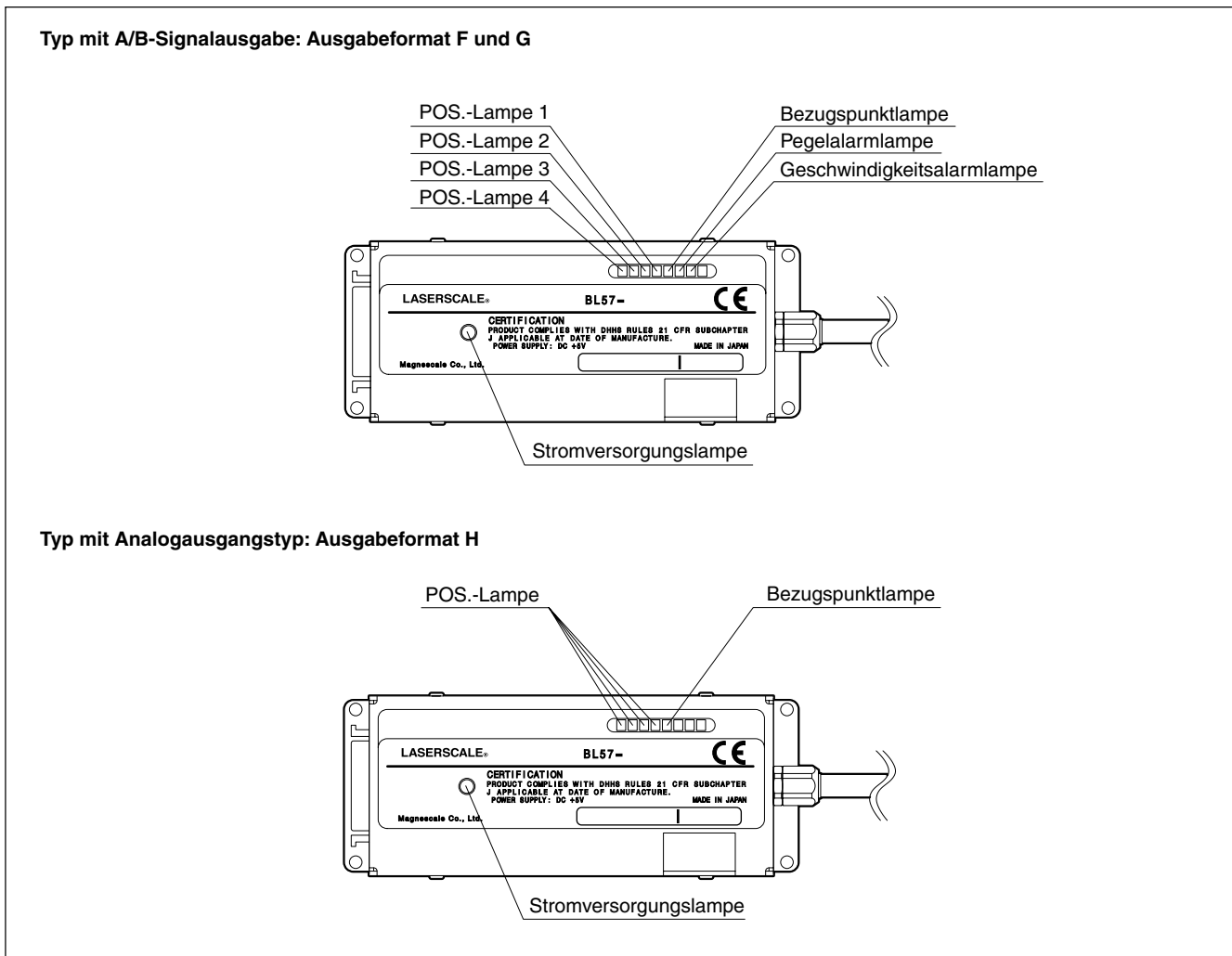


Abb. 4-3

4-4. MODE-Schalter

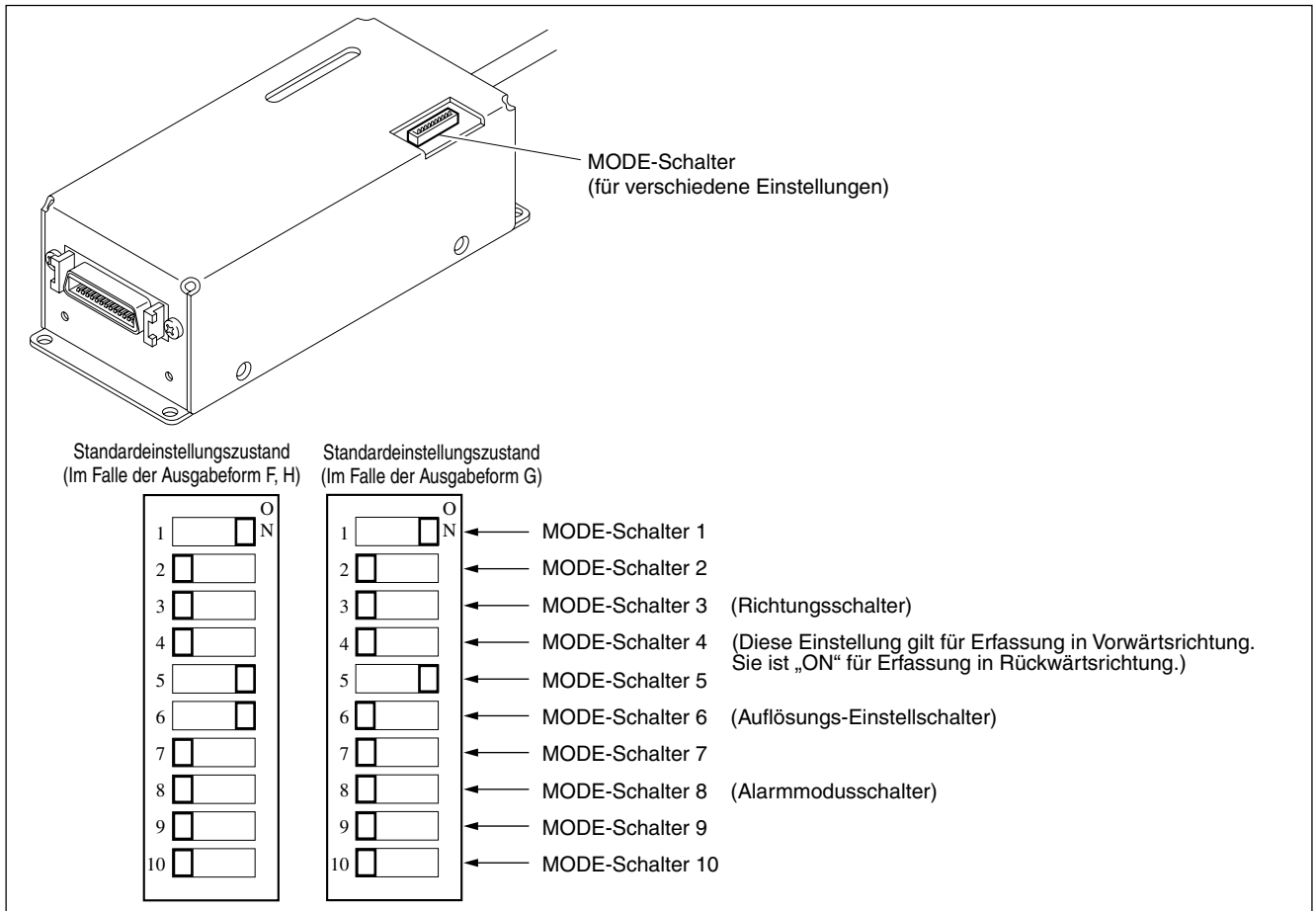


Abb. 4-4

MODE-Schalter	A/B-Signalausgangstyp (Ausgabeformat F, G)	Analogausgangstyp (Ausgabeformat H)																																			
1, 2	POS-Lampen Leuchten <table border="0"> <tr> <td>4</td><td><input type="radio"/></td><td>→</td><td>MODE-Schalter 1</td><td>MODE-Schalter 2</td></tr> <tr> <td></td><td></td><td></td><td>OFF</td><td>OFF</td></tr> <tr> <td>3</td><td><input type="radio"/></td><td>→</td><td>ON</td><td>OFF</td></tr> <tr> <td></td><td></td><td></td><td>OFF</td><td>ON</td></tr> <tr> <td>2</td><td><input type="radio"/></td><td>→</td><td>OFF</td><td>ON</td></tr> <tr> <td></td><td></td><td></td><td>ON</td><td>ON</td></tr> <tr> <td>1</td><td><input type="radio"/></td><td>→</td><td>ON</td><td>ON</td></tr> </table>	4	<input type="radio"/>	→	MODE-Schalter 1	MODE-Schalter 2				OFF	OFF	3	<input type="radio"/>	→	ON	OFF				OFF	ON	2	<input type="radio"/>	→	OFF	ON				ON	ON	1	<input type="radio"/>	→	ON	ON	MODE-Schalter 1 ... Immer ON MODE-Schalter 2 ... Immer OFF
4	<input type="radio"/>	→	MODE-Schalter 1	MODE-Schalter 2																																	
			OFF	OFF																																	
3	<input type="radio"/>	→	ON	OFF																																	
			OFF	ON																																	
2	<input type="radio"/>	→	OFF	ON																																	
			ON	ON																																	
1	<input type="radio"/>	→	ON	ON																																	
3	ON Voreilung des B-Signals OFF Voreilung des A-Signals	Immer OFF																																			
4	ON Rückwärtsrichtung (Standardeinstellung vom Werk) OFF Vorwärtsrichtung (Standardeinstellung vom Werk)	ON Rückwärtsrichtung (Standardeinstellung vom Werk) OFF ... Vorwärtsrichtung (Standardeinstellung vom Werk)																																			
5	Normalerweise ON OFF nur während der Bezugspunkteinstellung	Immer ON																																			
6	Ausgabeformat F: ON 0,1 µm OFF ... 0,05 µm Ausgabeformat G: ON 0,02 µm OFF ... 0,01 µm	Immer ON																																			
7	ON Das Bezugspunktsignal wird nur in einer Richtung ausgegeben OFF Das Bezugspunktsignal wird in beiden Richtungen ausgegeben (Die Bezugspunktposition verschiebt sich jedoch um ca. 4 mm.)	ON Das Bezugspunktsignal wird nur in einer Richtung ausgegeben OFF ... Das Bezugspunktsignal wird in beiden Richtungen ausgegeben (Die Bezugspunktposition verschiebt sich jedoch um ca. 4 mm.)																																			
8	ON Haltemodus OFF Modus für Automatische Zurücksetzung	Immer OFF																																			
9	ON Rückwärtsrichtung OFF ... Vorwärtsrichtung	ON Rückwärtsrichtung OFF ... Vorwärtsrichtung																																			
10	ON 1/4-Bezugspunktmodus OFF Bezugspunktmodus	Immer OFF																																			

4-4-1. Ausführliche Beschreibung der MODE-Schalter

Typen mit A/B-Signalausgabe

MODE-Schalter 1 und 2 (Bezugspunktschalter POS1 und POS2)

Die Positionsbeziehung zwischen dem eingegebenen Bezugspunkt-Torsignal und dem Maßstabsignal muss voreingestellt werden, um einen Bezugspunkt synchron zum A/B-Signal auszugeben. Diese beiden Schalter dienen zur Einstellung der Positionsbeziehung.

Weitere Informationen dazu in Abschnitt 4-5-4 "Bezugspunkteinstellung".

MODE-Schalter 3 (Richtungsschalter)

Dieser Schalter dient zur Änderung der Positionsbeziehung zwischen der Maßstab-Bewegungsrichtung und dem A/B-Signal.

Weitere Informationen dazu in Abschnitt 4-5-1 "Ändern der Richtung".

MODE-Schalter 4 (Schalter zum Einstellen der Standardbezugspunkterkennungsrichtung)

Dieser Schalter dient zur Einstellung der Standardbezugspunkterkennungsrichtungen.

Seine Standardeinstellungen, die im Werk eingestellt werden, sind für die Bezugspunkterkennung in der Vorwärtsrichtung ausgeschaltet und für die Bezugspunkterkennung in der Rückwärtsrichtung eingeschaltet. (Der Benutzer braucht diesen Schalter nicht einzustellen.)

Weitere Informationen dazu in Abschnitt 4-5-5 "Einstellung der Bezugspunktausgabe und der Bezugspunkterkennungsrichtung".

MODE-Schalter 5 (Bezugspunkt-Einstellungsmodussschalter)

Dieser Schalter dient zur Umschaltung zwischen dem Interpolationsmodus und dem Bezugspunkt-Einstellungsmodus.

Normalerweise wird dieser Schalter mit der Einstellung ON benutzt.

Weitere Informationen dazu in Abschnitt 4-5-4 "Bezugspunkteinstellung".

MODE-Schalter 6 (Auflösungs-Einstellschalter)

Dieser Schalter dient zur Einstellung der Auflösung. Für Typen mit Ausgabeform F erhält man bei Einstellung auf ON 0,1 µm und bei Einstellung auf OFF 0,05 µm. Für G-Typen erhält man bei Einstellung auf ON 0,02 µm und bei Einstellung auf OFF 0,01 µm.

MODE-Schalter 7 (Bezugspunktausgabe-Wahlschalter)

Dieser Schalter dient zum Umschalten zwischen Bezugspunktausgabe in einer Richtung und in beiden Richtungen.

Weitere Informationen dazu in Abschnitt 4-5-5 "Einstellung der Bezugspunktausgabe und der Bezugspunkterkennungsrichtung".

MODE-Schalter 8 (Alarmmodussschalter)

Dieser Schalter dient zur Wahl des Alarmausgabeformats.

Weitere Informationen dazu in Abschnitt 4-5-6 "Einstellen des Alarmzurücksetzungsmodus".

MODE-Schalter 9 (Bezugspunkterkennungsrichtungs-Wahlschalter)

Dieser Schalter dient zur Einstellung der Bezugspunkterkennungsrichtung (Ausgeberichtung des Bezugspunktsignals).

Weitere Informationen dazu in Abschnitt 4-5-5 "Einstellung der Bezugspunktausgabe und der Bezugspunkterkennungsrichtung".

MODE-Schalter 10 (Bezugspunktmodussschalter)

Dieser Schalter dient zum Ändern der Ausgabebreite des Bezugspunkts.

Weitere Informationen dazu in Abschnitt 4-5-3 "Einstellen der Bezugspunkt-Ausgangssignalebene".

Typen mit Analogausgabe

Verwenden Sie immer die Einstellungen in Tabelle 4-1, außer für die nachstehenden Schalter. Die Beschreibung der nachstehenden Schalter ist mit den Typen mit A/B-Signalausgabe identisch. Typen mit Analogausgabe haben keine Alarmausgabe.

Außerdem kann die Bezugspunkt-Ausgangssignalbreite nicht verändert werden.

MODE-Schalter 4 (Standard-Bezugspunkterkennungsrichtungsschalter)

MODE-Schalter 7 (Bezugspunktausgabe-Wahlschalter)

MODE-Schalter 9 (Bezugspunkterkennungsrichtungsschalter-Wahlschalter)

4-5. Ändern der Einstellungen

Nehmen Sie für die Typen mit Analogausgabe nur die Einstellungen in Abschnitt 4-5-5 "Einstellung der Bezugspunktausgabe und der Bezugspunkterkennungsrichtung" vor. Verwenden Sie für Typen mit Analogausgabe immer die Einstellungen in Tabelle 4-1, außer den Einstellungen in Abschnitt 4-5-5 "Einstellung der Bezugspunktausgabe und der Bezugspunkterkennungsrichtung".

4-5-1. Ändern der Richtung

Der MODE-Schalter 3 (Richtungsschalter) wird zum Ändern der Positionsbeziehung des A/B-Signals zur Maßstabbewegungsrichtung verwendet.

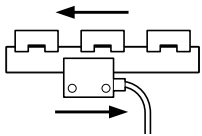
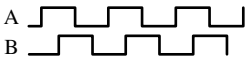
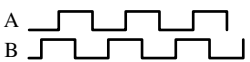
MODE-Schalter 3		Bewegung in Richtung der Kopfkabelseite
OFF		Voreilung des A-Signals
ON		Voreilung des B-Signals

Tabelle 4-2

4-5-2. Ändern der Auflösung

Der MODE-Schalter 6 (Auflösungs-Einstellschalter) wird zum Ändern der Auflösung des A/B-Signalen-Ausgangstyps verwendet.

Im Falle der Ausgabeformat F: ON = 0,1 μm
OFF = 0,05 μm

Im Falle der Ausgabeformat G: ON = 0,02 μm
OFF = 0,01 μm

4-5-3. Einstellen der Bezugspunkt-Ausgangssignalbreite

Der MODE-Schalter 10 (Bezugspunktmodusschalter) wird zum Ändern der Bezugspunkt-Ausgangssignalbreite verwendet.

MODE-Schalter 10 (Bezugspunktmodusschalter)	Bezugspunkt-Ausgangssignalbreite
ON	1/4-Bezugspunktmodus Der Synchronisierungs-Bezugspunkt wird ausgegeben, während A- und B-Signal hochpegelig sind.
OFF	Bezugspunktmodus Der Synchronisierungs-Bezugspunkt wird während eines A-Signalen-Zyklus ausgegeben.

Tabelle 4-3

4-5-4. Bezugspunkteinstellung

Die Positionsbeziehung zwischen der gewählten Position für das Bezugspunkttor und dem Maßstabsignal muss eingestellt werden, um einen Bezugspunkt synchron zum A/B-Signal auszugeben. Diese Justierung und Einstellung verwendet die Synchronisierung mit dem A/B-Signal, um eine Verschiebung der Bezugspunktposition zu verhüten, selbst wenn sich das Torsignal für den Bezugspunkt aufgrund der Temperatur, der elektrischen Eigenschaften oder anderer Faktoren geringfügig verschiebt.

Führen Sie nach der Anbringung des Maßstabs unbedingt die Justierungen und Einstellungen nach dem folgenden Verfahren durch.

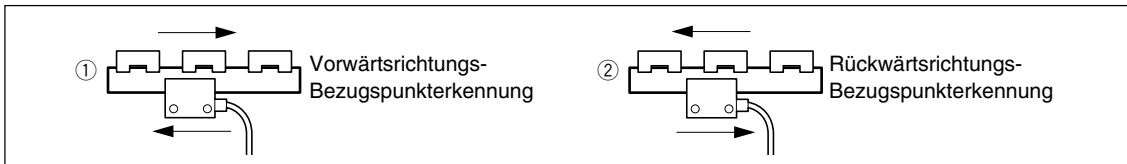


Abb. 4-5

- 1 Bewegen Sie den Kopf in die entgegengesetzte Richtung, von welcher der Bezugspunkt erfasst wird. Bei Bezugspunkterkennung in Vorwärtsrichtung bewegen Sie den Kopf (den Maßstab im Falle der Maßstabbewegung), wie bei ② gezeigt und passieren durch den Bezugspunkt.
- 2 Stellen Sie den MODE-Schalter 5 (Bezugspunkt-Einstellungsmodussschalter) auf OFF. Der Maßstab befindet sich nun im Bezugspunkt-Einstellmodus, und alle POS-Lampen sind erloschen.
- 3 Bewegen Sie den Kopf (den Maßstab im Falle der Maßstabbewegung) in die Richtung, in welcher der Bezugspunkt erfasst wird, und gehen Sie durch den Bezugspunkt.
- 4 Eine der POS-Lampen leuchtet auf.
- 5 Stellen Sie die MODE-Schalter 1 und 2 (Bezugspunktschalter POS1 und POS2) in Übereinstimmung mit den leuchtenden POS-Lampen ein, wie in Tabelle 4-4 gezeigt.

POS-Lampen	MODE-Einstellungen	
	1	2
4 ○ →	OFF	OFF
3 ○ →	ON	OFF
2 ○ →	OFF	ON
1 ○ →	ON	ON

Tabelle 4-4

- 6 Stellen Sie den MODE-Schalter 5 (Bezugspunkt-Einstellungsmodussschalter) auf ON.

Hinweis

- Um die Wiederholgenauigkeit des synchronen Bezugspunkts zu erhöhen, stellen Sie die Bezugspunkt-Bewegungsgeschwindigkeit bei der Durchführung der Bezugspunkteinstellung und die Bezugspunkterkennung bei Betriebsbeginn auf die gleiche Geschwindigkeit ein.
Für den Analogausgangstyp führen Sie die Bezugspunkterkennung mit einer Geschwindigkeit von maximal 150 mm/s durch.
- Die Bezugspunktposition kann mit Hilfe der Bezugspunktlampe festgestellt werden. Die Bezugspunktlampe erlischt, wenn der Bezugspunkt erkannt wird. (Die Lampe leuchtet normalerweise.) Nach der Erkennung des Bezugspunkts bleibt sie über eine Entfernung von etwa 4 mm erloschen.

4-5-5. Einstellung der Bezugspunktausgabe und der Bezugspunkterkennungsrichtung

Der MODE-Schalter 7 (Bezugspunktausgabe-Wahlschalter) wird zur Einstellung der Bezugspunktausgabe in einer Richtung oder in beiden Richtungen verwendet. Bei Einstellung auf Ausgabe in einer Richtung (ON) kann die Bezugspunkterkennungsrichtung eingestellt werden.

Hinweis

Wenn der MODE-Schalter 7 (Bezugspunktausgabe-Wahlschalter) auf Ausgabe in beiden Richtungen (OFF) eingestellt wird, sind MODE-Schalter 4 (Standard-Bezugspunkterkennungsrichtungsschalter) und MODE-Schalter 9 (Bezugspunkterkennungsrichtungs-Wahlschalter) deaktiviert.

- 1 Nehmen Sie die Einstellung für MODE-Schalter 7 vor.
ON Das Bezugspunktsignal wird in einer Richtung ausgegeben
OFF Das Bezugspunktsignal wird in beiden Richtungen ausgegeben (Bei Erkennung in der entgegengesetzten Richtung von der Standard-Bezugspunkterkennungsrichtung verschiebt sich die Bezugspunktposition jedoch um ca. 4 mm.)

Wenn der Schalter auf OFF gestellt wird, ist das Verfahren beendet.

Führen Sie das Verfahren nur dann ab Schritt 2 durch, wenn der Schalter auf ON gestellt wird.

- 2 Verwenden sie den MODE-Schalter 4 zur Einstellung der Standard-Bezugspunkterkennungsrichtung.
ON Die Standard-Bezugspunkterkennung erfolgt in Rückwärtsrichtung
OFF Die Standard-Bezugspunkterkennung erfolgt in Vorwärtsrichtung



- 3 Verwenden sie den MODE-Schalter 9 zur Einstellung der Bezugspunkterkennungsrichtung. In diesem Fall verschiebt sich die Bezugspunkterkennungsposition nicht, selbst wenn die Erkennungsrichtung der Standard-Bezugspunkterkennungsrichtung entgegengesetzt ist.



4-5-6. Einstellung des Alarmzurücksetzungsmodus

Der MODE-Schalter 8 (Alarmmodusschalter) wird verwendet, um zwischen dem Modus für automatische Zurücksetzung des Alarms oder dem Modus zum Halten des Alarms bis zum erneuten Einschalten der Stromversorgung umzuschalten.

Modus für automatische Zurücksetzung

Der Maßstab befindet sich etwa 400 ms lang im Alarmzustand. Wird die Alarmursache innerhalb dieser Zeit beseitigt, dann wird der Alarmzustand nach Ablauf von etwa 400 ms automatisch aufgehoben. Bleibt die Alarmursache jedoch länger als etwa 400 ms bestehen, wird der Alarm nicht eher aufgehoben, bis die Alarmursache beseitigt wird.

Dieser Modus ist die Standardeinstellung.

Haltemodus

Befindet sich der Maßstab im Alarmzustand, bleibt der Alarmzustand auch nach der Beseitigung der Alarmursache weiter aufrechterhalten. Nachdem die Alarmursache beseitigt worden ist, wird der Alarm zurückgesetzt, sobald die Stromversorgung aus- und wieder eingeschaltet worden ist.

MODE-Schalter 8 (Alarmmodusschalter)	Alarmmodus
OFF	Modus für automatische Zurücksetzung
ON	Haltemodus

Tabelle 4-5

Während eines Alarmzustands hat das A/B-Signalen-Ausgangssignal hohe Impedanz, und außerdem wird ein Alarmsignal ausgegeben.

5. Maßstabsignalausgabe

5-1. A/B-Signal- und Alarmausgabespezifikationen (nur für Ausgabeformate F und G)

- Die Ausgangsspezifikationen stimmen mit EIA-422 überein.
- Minimale A/B-Phasendifferenz t : 38 ns

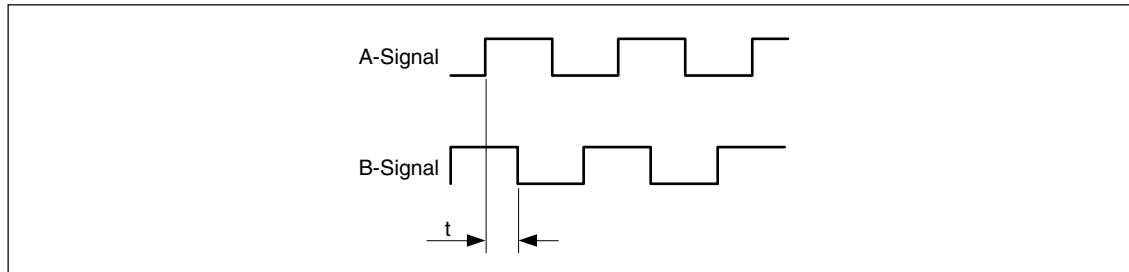


Abb. 5-1

Hinweis

- Ein Fehler von etwa 38 ns wird wegen der Synchronisierung des A/B-Signals durch den internen 26,3 MHz Taktgeber erzeugt.
- Der minimale Phasenfehler kann je nach der Länge des Ausgangskabels, der Kabelkapazität, der Empfängerlast und anderen Faktoren unterschiedlich sein.

5-2. Analogausgangsspezifikationen (nur für Ausgabeformat H)

SIN/COS-Ausgangsspezifikationen

(Über die gesamte Länge und den gesamten Betriebstemperaturbereich)

Gegenstand	Symbol	Spezifikationen			Einheit	Bemerkungen
		Min.	Typ.	Max.		
Ausgangssignal-Amplitude	$(+V_A) - (-V_A), (+V_B) - (-V_B)$	0,6	1	1,2	Vs-s	Hinweis 1
Ausgangssignal-Phasendifferenz		80	90	100	deg	
Mittenspannung	$+V_{OA}, +V_{OB}, -V_{OA}, -V_{OB}$	2,3	2,5	2,7	V	
Fehlspannung	$(+V_{OA}) - (-V_{OA}),$ $(+V_{OB}) - (-V_{OB})$	-50	0	50	mV	
Verstärkungsungleichheit		-6	0	6	%	System 1
Lastwiderstand			120		Ω	

Tabelle 5-1

Hinweis 1: Wenn Abschlusswiderstand $Z_0 = 120 \Omega$, Versorgungsspannung = $5 \text{ V} \pm 5 \%$ (Spannung des Lastwiderstands an beiden Enden)

System 1: $\frac{\text{s-s-Wert der A-Signalen-Ausgangsspannung} - \text{AB-Signalen-Ausgangsdurchschnitt}}{\text{AB-Signalen-Ausgangsdurchschnitt}} \times 100$

wobei

AB-Signalen-Ausgangsdurchschnitt

= $\frac{\text{s-s-Wert der A-Signalen-Ausgangsspannung} - \text{s-s-Wert der B-Signalen-Ausgangsspannung}}{2}$

Konzeptdiagramm der Ausgangswellenform

(wenn jeder Ausgang auf der Basis von 0 V betrachtet wird)

Das A-Signal entspricht SIN, und das B-Signal entspricht COS.

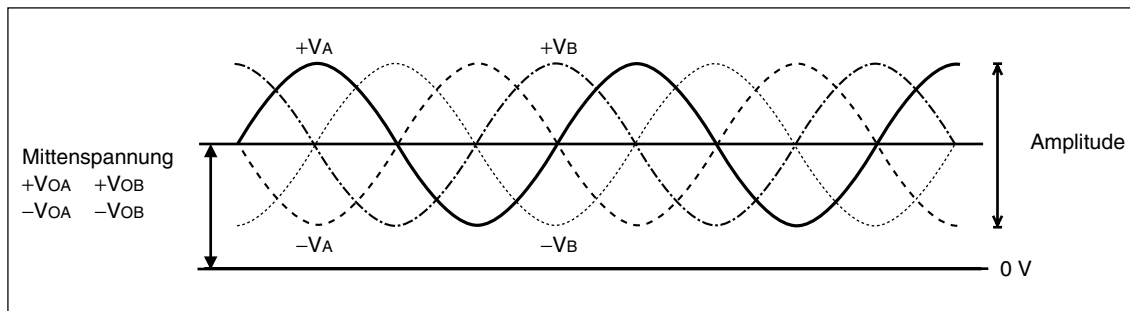


Abb. 5-2

Bezugspunkt-Ausgangsspezifikationen

Die Ausgangsspezifikationen stimmen mit EIA-422 überein.
(Über die gesamte Länge und den gesamten Betriebstemperaturbereich)

Gegenstand	Symbol	Spezifikationen			Einheit
		Min.	Typ.	Max.	
"H"-Pegel-Ausgang	VoZH	2,5	3,4	5	V
"L"-Pegel-Ausgang	VoZL	0	0,3	0,5	V

Tabelle 5-2

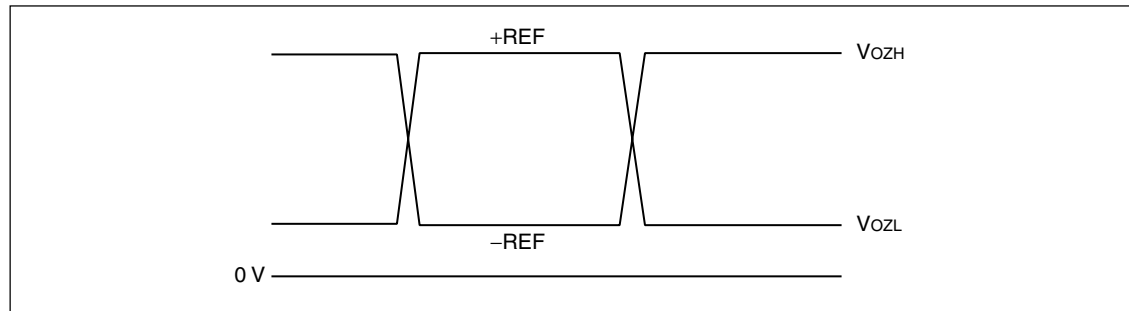


Abb. 5-3

Bezugspunktsignal sowie SIN- und COS-Signalphasen

Gegenstand	Spezifikationen		
	Min.	Typ.	Max.
Bezugspunktsignalbreite (Lz)	0,32 μm	0,4 μm	0,48 μm
Position der Bezugspunktsignalflanke "a" im Hinblick auf das SIN-Signal	0 °		90 °

Tabelle 5-3

Konzeptdiagramm der Bezugspunkt-Wellenform

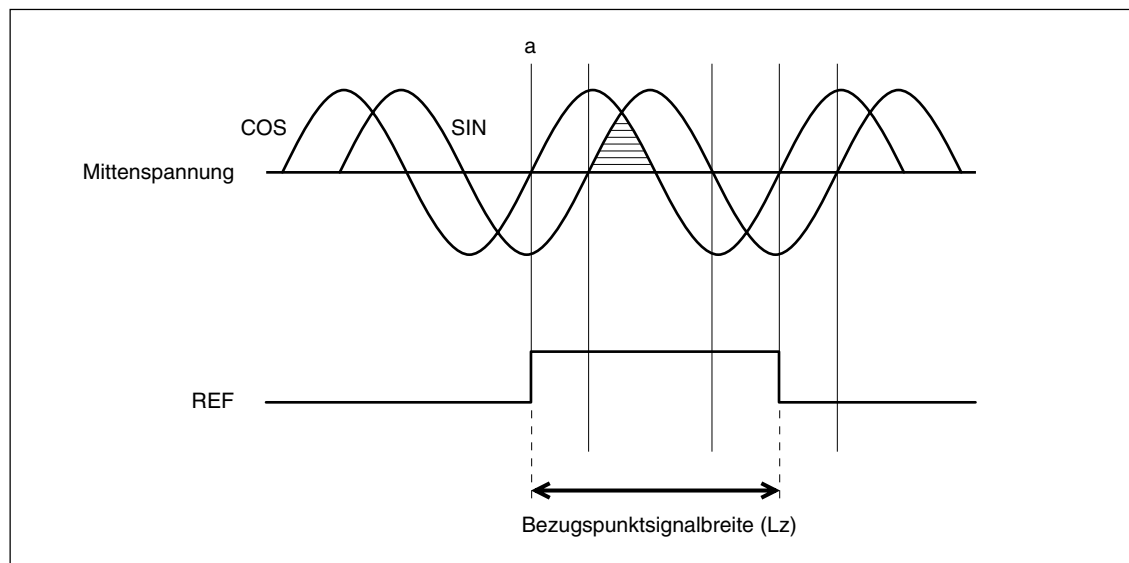


Abb. 5-4

6. Ein-/Ausgangsanschluss

6-1. Anschluss

Schnittstelleneinheitsseite:

A/B-Signalausgang : 10226-52A2PL (hergestellt von der Firma SUMITOMO 3M Limited)

Analogausgang : D02-M15SAG-26L9E (hergestellt von der Firma Japan Aviation Electronics Industry, Limited)

Kabelseite:

A/B-Signalausgang : Stecker 10126-3000PE (hergestellt von der Firma SUMITOMO 3M Limited)

: Gehäuse 10326-52F0-00S (hergestellt von der Firma SUMITOMO 3M Limited)

Analogausgang : Stecker D02-M15PG-N-F0 (hergestellt von der Firma Japan Aviation Electronics Industry, Limited)

: Kontakt Bei Verwendung eines Drahts von AWG 24

D02-22-22P-PKG100 (hergestellt von der Firma Japan Aviation Electronics Industry, Limited)

: Kontakt Bei Verwendung eines Drahts von AWG 26-28

D02-22-26P-PKG100 (hergestellt von der Firma Japan Aviation Electronics Industry, Limited)

: Gehäuse DE-C8-J9-F2-1R (hergestellt von der Firma Japan Aviation Electronics Industry, Limited)

Stifanordnung	Ein-/Ausgangsspezifikationen	
	A/B-Signalausgang (Ausgabeformat F, G)	Analogausgang (Ausgabeformat H)
1	A	+COS
2	* A	-COS
3	B	+SIN
4	* B	-SIN
5	REF	(Nicht anschließbar)
6	* REF	0 V (Stromversorgung)
7	+5 V (Stromversorgung)	0 V S
8	ALM	(Nicht anschließbar)
9	+5 V (Stromversorgung)	+5 V (Stromversorgung)
10	* ALM	+5 V S
11	+5 V S	+REF
12	(Nicht anschließbar)	-REF
13	+5 V (Stromversorgung)	(Nicht anschließbar)
14	SIN (M)	(Nicht anschließbar)
15	0 V (Stromversorgung)	(Nicht anschließbar)
16	COS (M)	
17	0 V (Stromversorgung)	
18	(Nicht anschließbar)	
19	0 V S	
20	(Nicht anschließbar)	
21	0 V (M)	
22	(Nicht anschließbar)	
23	0 V (Stromversorgung)	
24	(Nicht anschließbar)	
25	0 V (Signal)	
26	(Nicht anschließbar)	

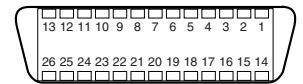


Abb. 6-1 A/B-Signalausgang

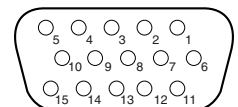


Abb. 6-2 Analogausgang

Tabelle 6-1

Hinweis

- 0 V ist die Schaltungserde, und sie ist nicht mit der Rahmenerde verbunden.
- Vergewissern Sie sich, dass die Versorgungsspannung am Eingangsanschluss der Schnittstelleneinheit 5 V Gleichstrom +5 % beträgt.
- +5 V S und 0 V S dienen zur Überprüfung der an den Eingangsanschluss der Schnittstelleneinheit angelegten Spannung (Fernabtafunktion). Diese Spannungen können verwendet werden, um einen Abfall der Versorgungsspannung durch die Kabel zu überprüfen und zu regulieren. Wenn eine Stromquelle verwendet wird, die nicht in der Lage ist, Spannungsschwankungen zu regulieren, kann eine Stromquellen-Eingangsklemme verwendet werden, um den durch die Kabellänge verursachten Spannungsabfall zu reduzieren. Schließen Sie das Kabel in diesem Fall an die entsprechende Stromquelle von +5 V oder 0 V an.
- Die geeignete Kabeldicke ist AWG28 bis AWG24.
- Schließen Sie alle 0-V-Klemmen an, um Verdrahtungsfehler zu vermeiden.
- Verwenden Sie abgeschirmte Kabel für die gesamte Verdrahtung. Verbinden Sie die Abschirmung mit dem Anschlussgehäuse.
- Verwenden Sie verdrehte Doppelleitungen für die Ausgangssignale.
Verwenden Sie die Kabel so, dass die folgenden Signal gepaart sind:
A und *A, B und *B, REF und *REF, +SIN und -SIN, +COS und -COS, +REF und -REF, ALM und *ALM.
- Für Ausgabeformat F oder G stellen SIN (M) und COS (M) dedizierte Signale zur Überprüfung des Maßstabsignalpegels dar. Diese Signale dürfen auf keinen Fall einem anderen Gerät als einem Oszilloskop zugeführt werden. Verwenden Sie außerdem 0 V (M) für die Erde.

6-2. Anschlussspezifikationen

6-2-1. A/B-Signalen-Ausgangstyp

Der von Magnescale Co., Ltd. verwendete Leitungstreiber stimmt mit EIA-422 überein. Außerdem ist die Gleichtaktspannung zwischen dem Leitungstreiber und dem Leitungsempfänger auf der Basis der Norm EIA-422 mit ± 12 V angegeben. (Wird der Maßstab verwendet, wenn die Gleichtaktspannung von ± 12 V überschritten wird, kann der Maßstab beschädigt werden.)

Um Probleme zwischen den an diesem Magnescale Co., Ltd.-Produkt angeschlossenen Steuergeräten zu vermeiden, wird empfohlen, eine Signalerde (Stromquellenerde) (gemeinsamer Anschluss) anzuschließen und den Lastwiderstand auf 120Ω einzustellen. Verdrillte Doppelleitungen (min 1 Umdrehung/1 Zoll) mit einer Kerndicke von mindestens AWG28 werden für die Differentialsignalkabel empfohlen. (Es ist sogar noch besser, wenn die Differential-Kennimpedanz mit dem Lastwiderstandswert identisch ist.)

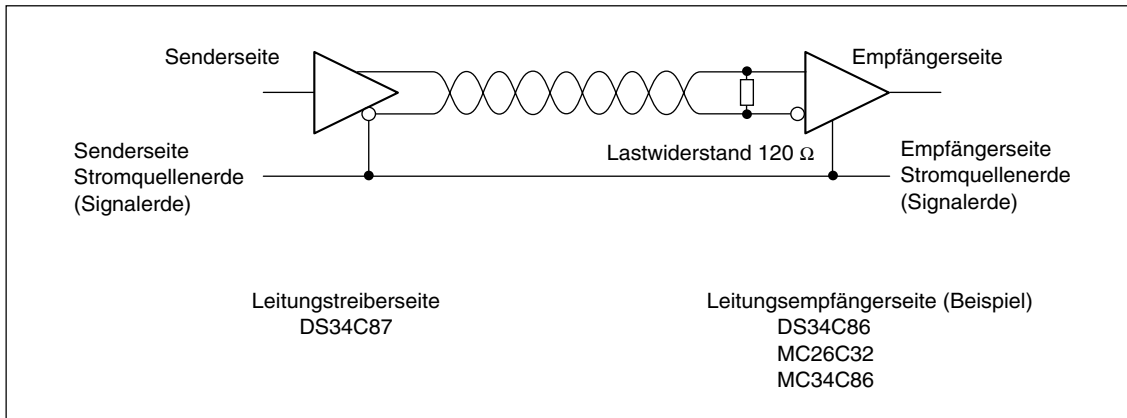


Abb. 6-3

Bei Empfang der Stromversorgung vom Steuergerät

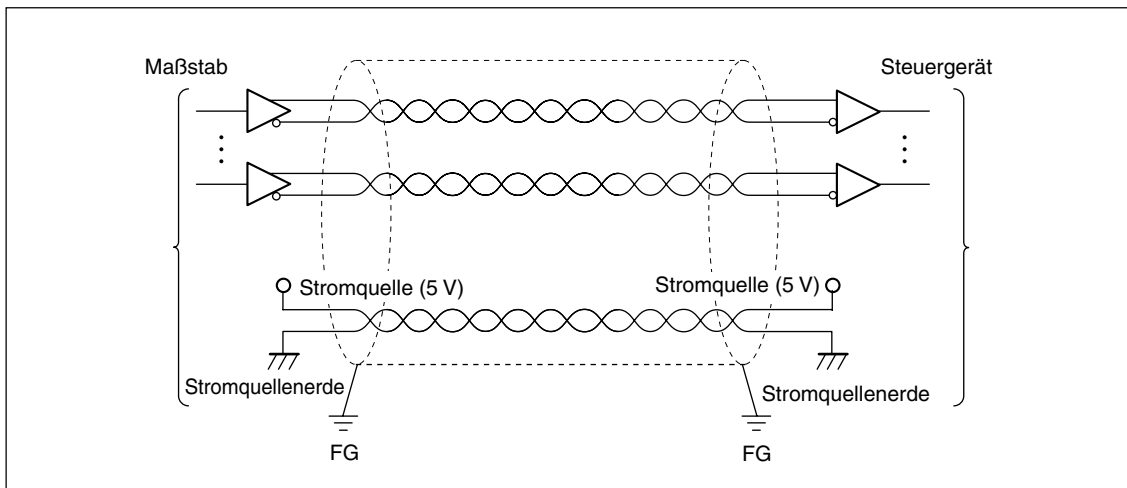


Abb. 6-4

Bei Empfang der Stromversorgung von einer anderen Quelle als dem Steuergerät

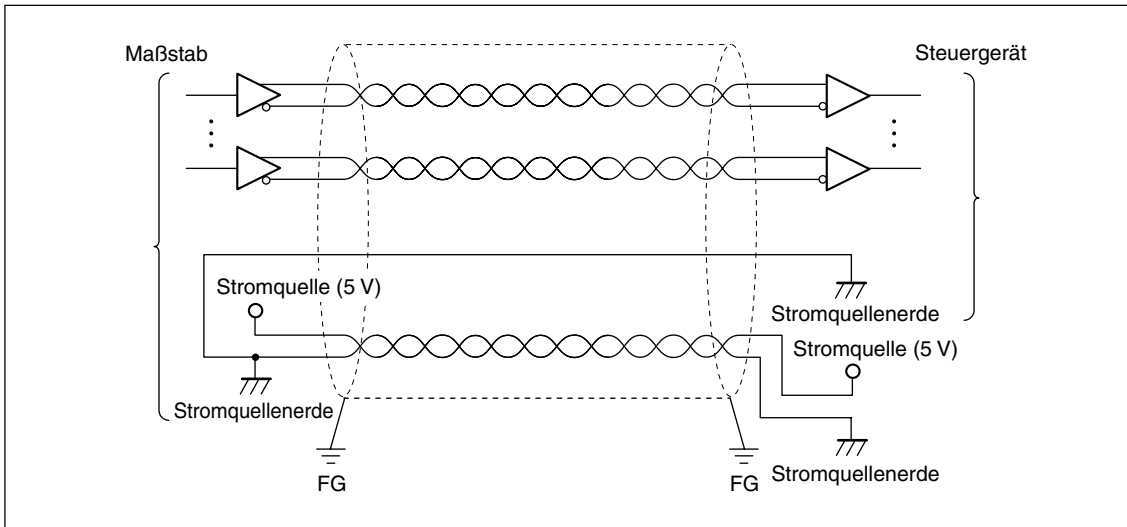


Abb. 6-5

Bei Empfang der Stromversorgung von einer anderen Quelle als dem Steuergerät haben die Stromquellenerde des Steuergerätes und die Stromquellenerde des Gerätes, das den Strom liefert, das gleiche Potential.

Hinweis

Das System erfüllt nicht die Vorschrift EN61000-6-2, wenn die Stromversorgungsleitung länger als 10 m ist.

Treffen Sie Maßnahmen zur Verhütung von Spannungsstößen.

6-2-2. Analogausgangstyp

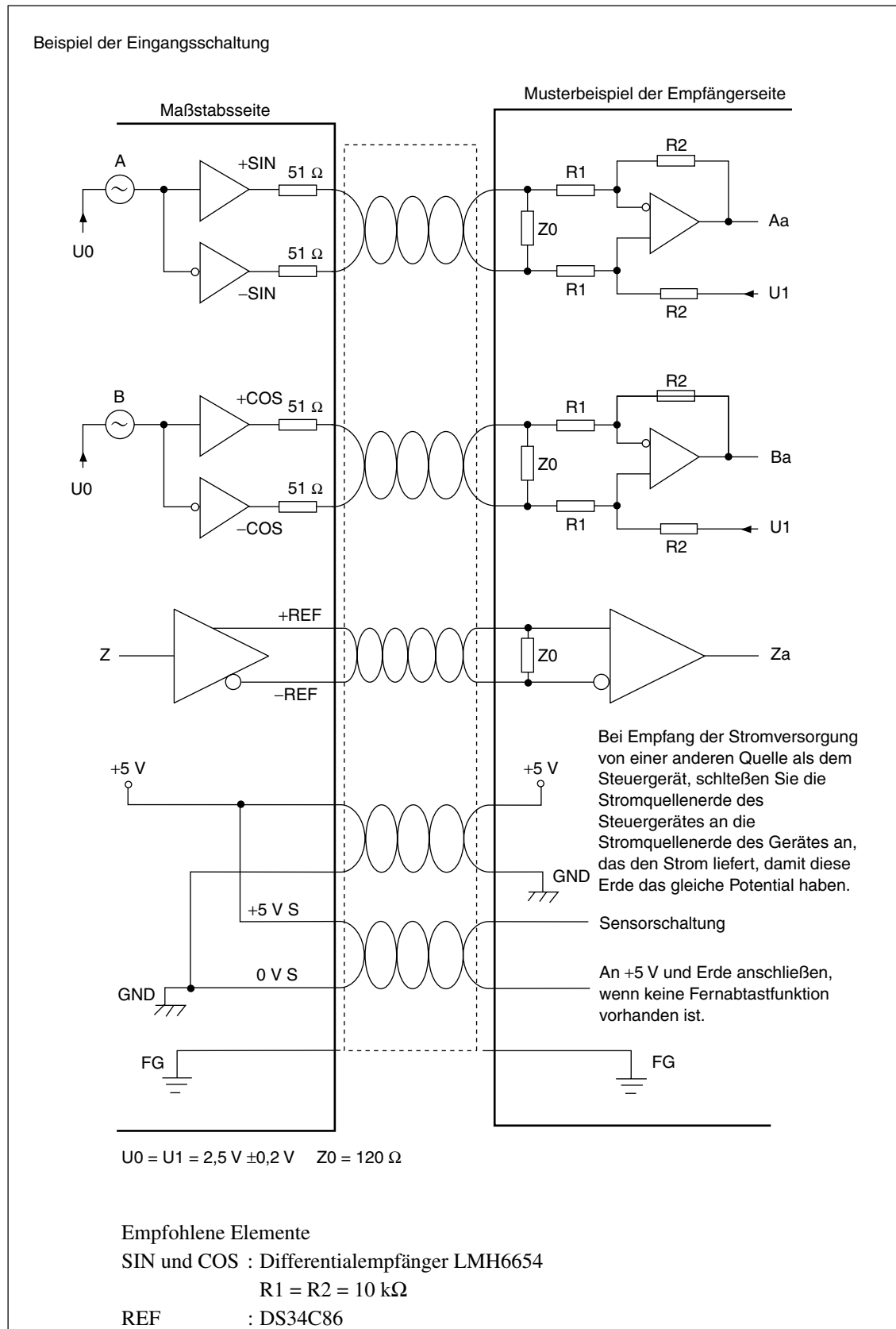


Abb. 6-6

6-2-3. Ausgangskabellänge (nur für Analogausgabe)

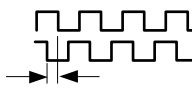
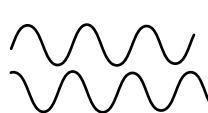
Es gibt eine Beziehung zwischen der maximalen Ansprechgeschwindigkeit und der Ausgangskabellänge.

Kabellänge (m)	Maximale Ansprechgeschwindigkeit (mm/s)
3	3000
9	2330
15	1660

Hinweis

- Das System erfüllt nicht die Vorschrift EN61000-6-2, wenn die Stromversorgungsleitung länger als 10 m ist. Treffen Sie Maßnahmen zur Verhütung von Spannungstößen.
- Die maximale Ansprechgeschwindigkeit hängt vom Widerstand des Ausgangskabels, der Kabelkapazität, der Empfängerlast usw. ab.

7. Technische Daten

Gegenstand	F	G	H
Ausgabeformat	A/B-Signalen-Ausgangstyp		Analogausgangstyp
Erkennungssystem	Beugungsgitterabtastung		
Maßstabslänge (Neoceram)	Messlänge (mm)	30, 70, 120, 170, 220, 270, 320, 370, 420	
	Max Verfahrweg des Maßstabs	Messlänge +10 mm (5 mm auf jeder Seite)	
	Gesamte Maßstabslänge	Messlänge +26 mm	
Maßstabslänge (Kalknatronglas)	Messlänge (mm)	60, 160, 260, 360, 460, 560, 660, 760, 860, 960, 1060	
	Max Verfahrweg des Maßstabs	Messlänge +10 mm (5 mm auf jeder Seite)	
	Gesamte Maßstabslänge	Messlänge +36 mm	
Gitterteilung	1,6 µm		
Nullsignalteilung	0,4 µm		
Ausgangssignal	Differential (entspricht EIA-422)		Differential (entspricht EIA-422 nur für die Bezugspunktausgabe)
Ausgangsauflösung	0,1/0,05 µm (Auswählbar)	0,02/0,01 µm (Auswählbar)	0,4 µm (1 Vp-p)
Maßstabsgenauigkeit	±0,5 µm (30 bis 170 mm), ±1,0 µm (220 bis 370 mm), ±1,5 µm (420 mm oder höher)		
Wiederholgenauigkeit	0,05 µm max.		
Rückführungsfehler	0,05 µm max.		
Wärmeausdehnungskoeffizient	Neoceram $-0,7 \times 10^{-6}/^{\circ}\text{C}$. Kalknatronglas $8 \times 10^{-6}/^{\circ}\text{C}$		
Maximale Ansprechgeschwindigkeit	1.500 mm/s (0,1 µm) 650 mm/s (0,05 µm)	300 mm/s (0,02 µm) 120 mm/s (0,01 µm)	3.000 mm/s (Hinweis 1)
	Minimale Phasendifferenz: 38 ns 	Minimale Phasendifferenz: 38 ns	Max.: 7,5 MHz 
Alarmausgabe	Überschreitung der maximalen Ansprechgeschwindigkeit oder Signalpegelfehler; Wenn einer dieser Zustände auftritt, hat das Ausgangssignal hohe Impedanz.		Keine
Bezugspunktposition	Beliebiger gewählter Punkt (innerhalb des Messlängenbereichs)		
Bezugspunktgenauigkeit (bei 20 °C)	±0,4 µm (schwankt je nach Maschinenbewegung)		
Bezugspunkt-Ausgangssignal	Unidirektionaler synchroner Bezugspunkt (Position und Erkennungsrichtung festgelegt)		
Kopfkabel	Kabellänge	1 m (Hinweis 4)	
	Biegeradius	Statisch: 10 mm	
Ausgangskabellänge	max. 15 m (Hinweis 2) (bis zum elektronischen Steuerteil (später angeschlossen))		max. 15 m (Hinweis 1) (Hinweis 2)
Stromversorgung (Hinweis 3)	+5 V (±5 %)		
Stromverbrauch	450 mA (ohne Last)/600 mA (bei Verwendung einer 120-Ω-Klemme)		
Vibrationsfestigkeit	100 m/s ² (50 bis 2.000 Hz)		
Stoßfestigkeit	200 m/s ²		
Betriebstemperaturbereich	0 bis +40 °C (keine Kondensation)		
Lagertemperaturbereich	-10 bis +50 °C		
Lichtquelle	Halbleiterlaser Maximale Ausgangsleistung: 6 mW Wellenlänge: 790 nm		
Strahlungsleistung	JIS Klasse 1 DHHS Klasse 1		

Hinweis 1: Es gibt eine Beziehung zwischen der maximalen Ansprechgeschwindigkeit und der Ausgangskabellänge (jenseits der Schnittstelleneinheit).

Kabellänge (m)	Maximale Ansprechgeschwindigkeit (mm/s)
3	3000
9	2330
15	1660

Hinweis 2: Das System erfüllt nicht die Vorschrift EN61000-6-2, wenn die Stromversorgungsleitung länger als 10 m ist. Treffen Sie Maßnahmen zur Verhütung von Spannungstößen.

Hinweis 3: Der Anschluss-Eingangsteil muss die Spezifikationen erfüllen.

Hinweis 4: Eine Länge von bis zu 3 m ist auch als Sonderspezifikationen erhältlich. Je nach der Kabellänge gibt es jedoch Einschränkungen der maximalen Ansprechgeschwindigkeit. (Für ein 3-m-Kabel beträgt die Ansprechgeschwindigkeit 2/3 von 1 m.)

Zubehör

Neoceram-Modelle

Messlänge des Maßstabs	30	60	110	160	210	260	310	360	410
Bedienungsanleitung	1	1	1	1	1	1	1	1	1
Bezugsplatte	1	0	1	1	1	0	0	1	1
Bezugsplatte W	0	1	0	0	0	1	1	0	0
Abstandsstück	0	0	2	2	2	2	2	4	4
Maßstabsklammern	1	2	3	3	3	4	4	5	5
Innensechskantschraube (M4 × 8)	4	6	8	8	8	10	10	12	12
Unterlegscheiben (Nennmaß 4)	6	8	10	10	10	12	12	14	14
Innensechskantschraube (M4 × 12)	2	2	2	2	2	2	2	2	2
Flachkopfschraube (M2,6 × 5)	4	4	4	4	4	4	4	4	4
Kabelklemme	1	1	1	1	1	1	1	1	1
Flachkopfschraube (M4 × 8)	1	1	1	1	1	1	1	1	1
Genauigkeitstabelle	1	1	1	1	1	1	1	1	1

Kalknatronglas-Modelle

Scale measuring length	60	160	260	360	460	560	660	760	860	960	1060
Bedienungsanleitung	1	1	1	1	1	1	1	1	1	1	1
Bezugsplatte	0	1	0	1	0	0	0	0	0	0	0
Bezugsplatte W	1	0	1	0	1	0	0	0	0	0	0
Bezugsplatte D	0	0	0	0	0	2	2	2	2	2	2
Abstandsstück	0	2	2	4	4	6	7	8	10	11	13
Maßstabsklammern	2	3	4	5	6	8	9	10	12	13	15
Innensechskantschraube (M4 × 10)	6	8	10	12	14	20	22	24	28	30	34
Unterlegscheiben (Nennmaß 4)	8	10	12	14	16	22	24	26	30	32	36
Innensechskantschraube (M4 × 12)	2	2	2	2	2	2	2	2	2	2	2
Flachkopfschraube (M2,6 × 5)	4	4	4	4	4	4	4	4	4	4	4
Kabelklemme	1	1	1	1	1	1	1	1	1	1	1
Flachkopfschraube (M4 × 8)	1	1	1	1	1	1	1	1	1	1	1
Genauigkeitstabelle	1	1	1	1	1	1	1	1	1	1	1

8. Maßzeichnung

8-1. Neoceram-Modelle

BL57-***RE*C (Meßlängen: 30/60/110/160/210/260/310/360/410)

Modell	Meßlänge	L1	L2	L3	SC	SP	P
BL57-003RE*C	30	66	—	—	1	—	2
BL57-006RE*C	60	96	—	—	2	—	4
BL57-011RE*C	110	146	50	—	3	2	6
BL57-016RE*C	160	196	75	—	3	2	6
BL57-021RE*C	210	246	100	—	3	2	6
BL57-026RE*C	260	296	120	—	4	2	8
BL57-031RE*C	310	346	120	—	4	2	8
BL57-036RE*C	360	396	75	75	5	4	10
BL57-041RE*C	410	446	100	100	5	4	10

Einheit: mm

Für BL57-003RE*C, 011RE*C, 016RE*C, 021RE*C, 036RE*C, 041RE*C

Für BL57-006RE*C, 026RE*C, 031RE*C

Für BL57-011RE*C, 016RE*C, 021RE*C, 026RE*C, 031RE*C

Für BL57-026RE*C, 031RE*C

Für BL57-031RE*C, 036RE*C

Für BL57-036RE*C, 041RE*C

Hinweis 1: Die mit einem Sternchen markierten Punkte geben die Bearbeitungsmaße auf der Montagefläche an.
 Hinweis 2: Die Oberflächenrauheit der Maßstabsmontagefläche beträgt $R_{\text{MAX}} = 6,3 \text{ S}$.
 Hinweis 3: Die Oberflächenrauheit der Detektorkopfmontagefläche beträgt $R_{\text{MAX}} = 12,5 \text{ S}$.
 Hinweis 4: „M“ bezieht sich auf die Maschinenführungsbahn.
 Hinweis 5: Montieren und justieren Sie die gepaarten Bezugsplatten (W), so dass ihre Stoßgrundflächen eine Parallelität von 0,01 oder weniger zur Maschinenführungsbahn aufweisen.

9. Störungsinformation

- Reparaturen sind notwendig, wenn ein Überlauf auftritt, das Kabel beschädigt wird, die Maßstabseinheit verformt wird, oder eine andere Situation eintritt, die schädlich für die Funktion des Maßstabs ist. Halten Sie sofort die Maschine an, und kontaktieren Sie dann eine Magnescale Co., Ltd. Kundendienststelle oder Ihre lokale Werkstatt.
- Bei besonders großem Schadensausmaß kann eine Reparatur unmöglich sein.

このマニュアルに記載されている事柄の著作権は当社にあり、説明内容は機器購入者の使用を目的としています。したがって、当社の許可なしに無断で複写したり、説明内容（操作、保守など）と異なる目的で本マニュアルを使用することを禁止します。

The material contained in this manual consists of information that is the property of Magnescale Co., Ltd. and is intended solely for use by the purchasers of the equipment described in this manual. Magnescale Co., Ltd. expressly prohibits the duplication of any portion of this manual or the use thereof for any purpose other than the operation or maintenance of the equipment described in this manual without the express written permission of Magnescale Co., Ltd.

Le matériel contenu dans ce manuel consiste en informations qui sont la propriété de Magnescale Co., Ltd. et sont destinées exclusivement à l'usage des acquéreurs de l'équipement décrit dans ce manuel.

Magnescale Co., Ltd. interdit formellement la copie de quelque partie que ce soit de ce manuel ou son emploi pour tout autre but que des opérations ou entretiens de l'équipement à moins d'une permission écrite de Magnescale Co., Ltd.

Die in dieser Anleitung enthaltenen Informationen sind Eigentum von Magnescale Co., Ltd. und sind ausschließlich für den Gebrauch durch den Käufer der in dieser Anleitung beschriebenen Ausrüstung bestimmt.

Magnescale Co., Ltd. untersagt ausdrücklich die Vervielfältigung jeglicher Teile dieser Anleitung oder den Gebrauch derselben für irgendeinen anderen Zweck als die Bedienung oder Wartung der in dieser Anleitung beschriebenen Ausrüstung ohne ausdrückliche schriftliche Erlaubnis von Magnescale Co., Ltd.

日本からの輸出時における注意

本製品 (および技術) は輸出令別表第1の16の項 (外為令別表16の項) に該当します。キャッチオール規制による経済産業省の許可要否につきましては、輸出者様にてご確認ください。

For foreign customers

Note: This product (or technology) may be restricted by the government in your country. Please make sure that end-use, end user and country of destination of this product do not violate your local government regulation.

Magnescale Co., Ltd.

45 Suzukawa, Isehara-shi, Kanagawa 259-1146, Japan