

DIGIRULER®

# SL700 Series

## Scale unit

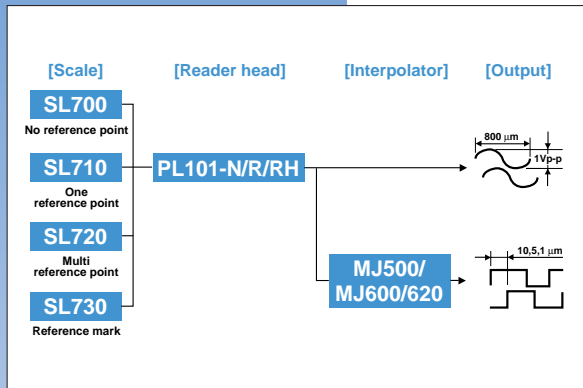
- Compact ribbon type scale for easy mounting in cramped spaces
- Non-contact detection
- Magnetic detection system with excellent resistance to dust, oil, vibrations and shocks
- Effective length from 50 mm to 3000 mm
- Detects linear displacement and produces analog or A/B quadrature signal output when connected to PL101 head and MJ500/600 Series interpolator (both optional)
- Four types are available with different reference point specifications

## Specifications

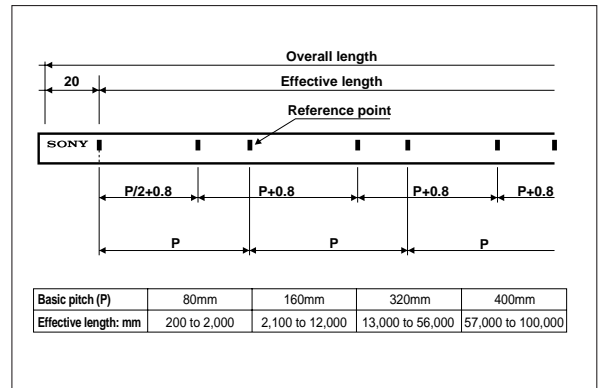
Model	SL700	SL710	SL720	SL730
Reference point	No reference point	One point (Specify the position when ordering) (1 mm unit)	Multi point 60mm pitch from left effective length end	Reference mark (Refer to figure below )
Reference point position accuracy	—	± 1 mm	± 1 mm Pitch accuracy ± 7 μm	± 1 mm Pitch accuracy ± 7 μm
Effective length (ML)*	50 to 100,000 mm		100 to 100,000 mm	200 to 100,000 mm
Overall length	—			
Accuracy	Refer to specifications of PL101			
Reproduced wave length	800 μm			
Single mass	15 g/m			
Linear expansion coefficient	$(14 \pm 1) \times 10^{-6} / ^\circ\text{C}$ (Scale unit)			
Operating temperature	0 to 45 °C			
Storage temperature	-20 to 50 °C			
Standard compliance	EMI:EN55011 Group 1 Class A EMS:EN50082-2 FCC Part 15 Subpart B Class A ICES-003 CLASS A DIGITAL DEVICE			

\*The SL730 is due out soon.

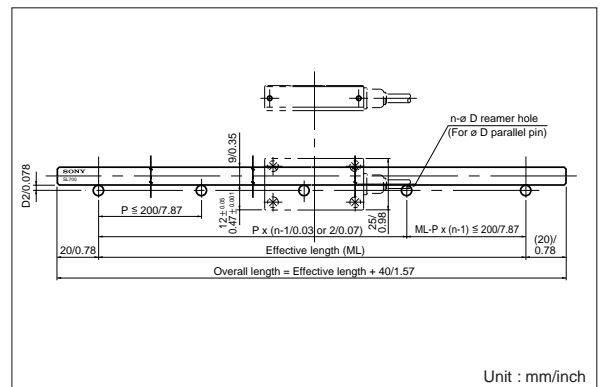
## Configurations



## Reference mark



## Dimensions



Unit : mm/inch

\*Mount the scale on the non-magnetic material. When mounting on a magnetic material, insert a non-magnetic layer with a thickness of at least 3mm.

Linear Scales

